









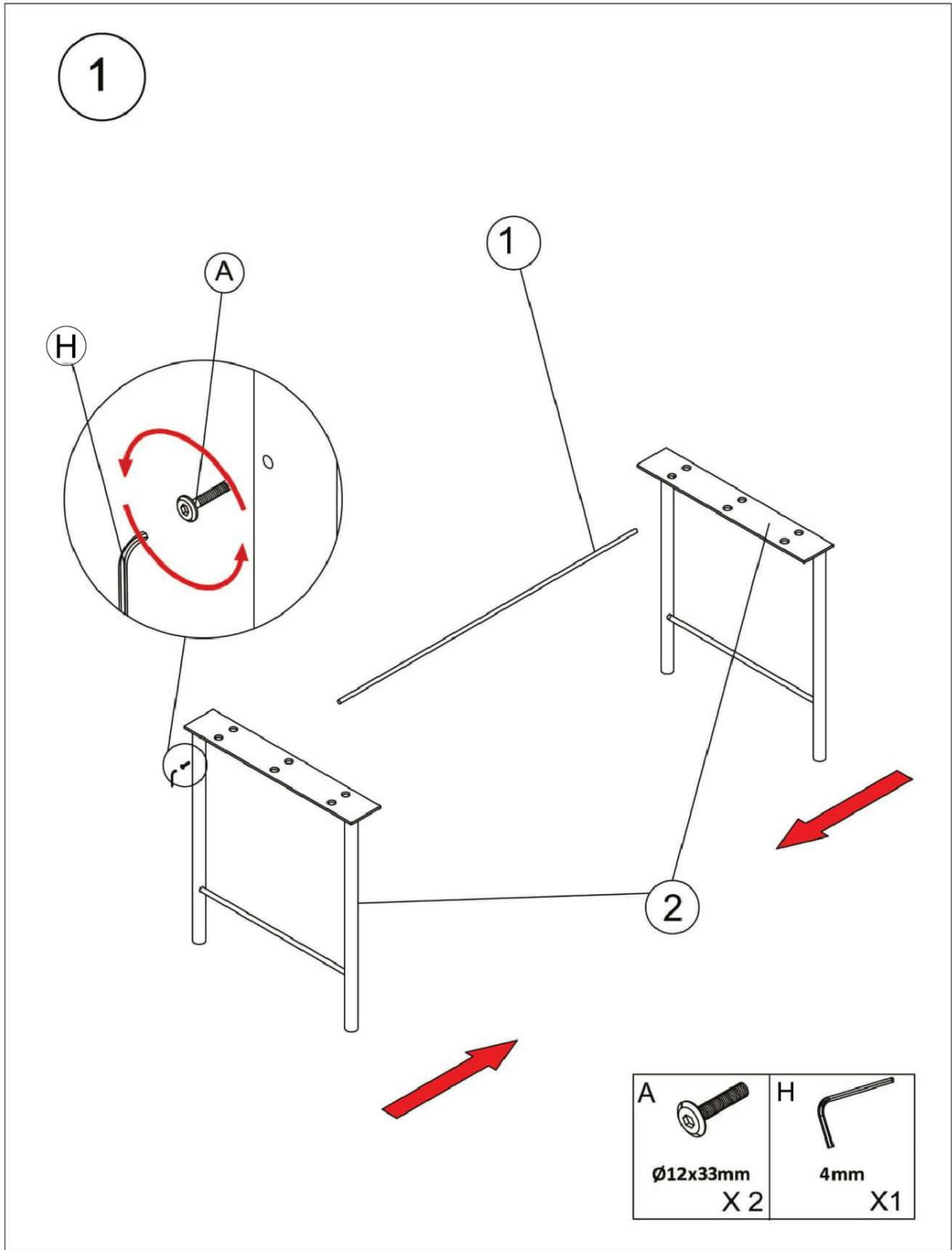
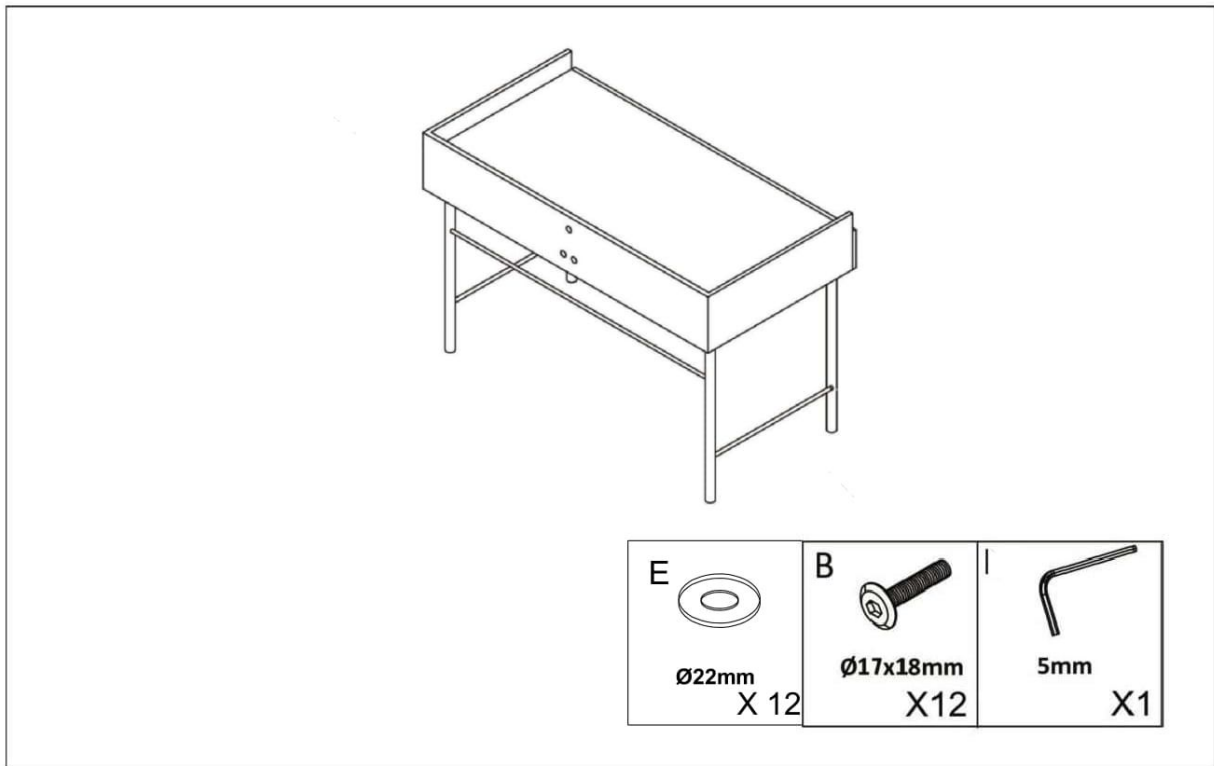
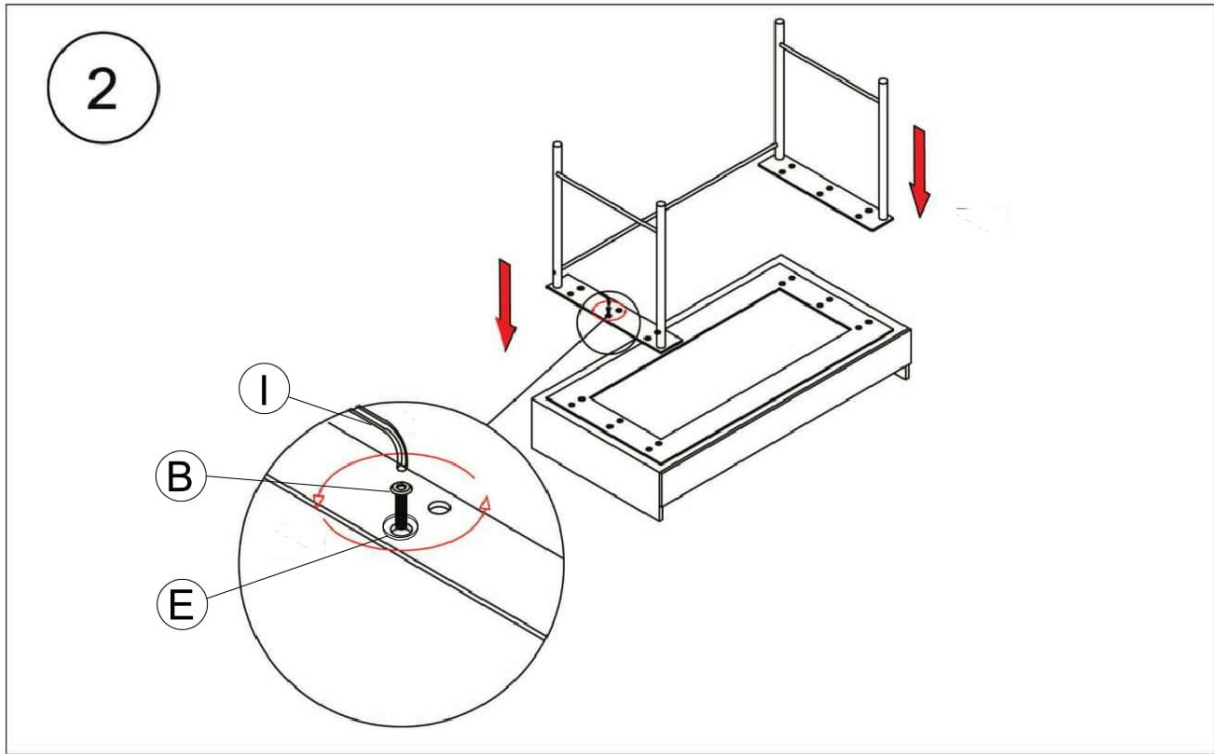
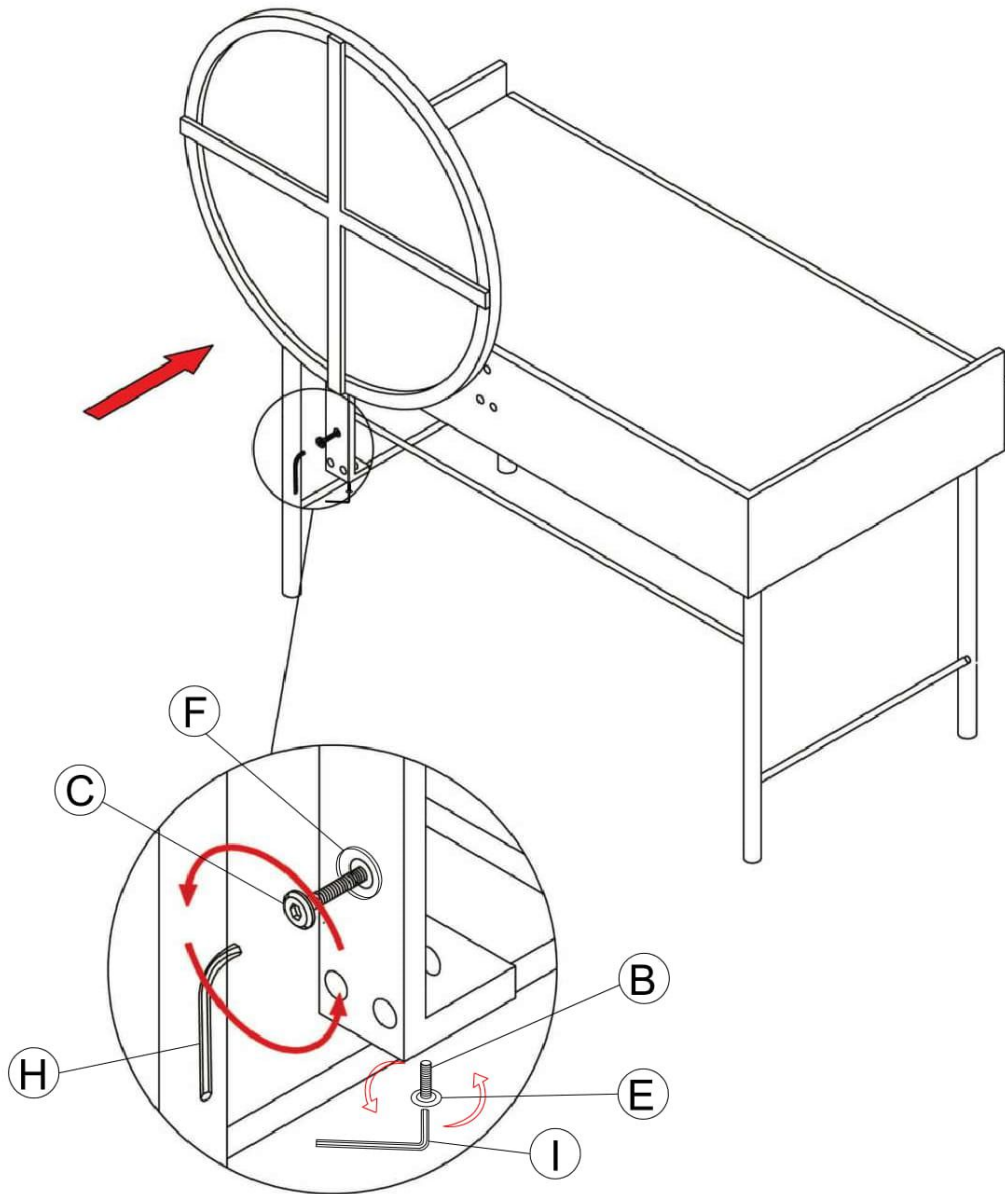








A  Ø12x33mm X2	B  Ø17x18mm X13	C  Ø12x18mm X3	D  Ø8x25mm X2	E  Ø22mm X13	F  Ø18mm X3	G  Ø23x25mm X2
H  4mm X1	I  5mm X1	J  X1				



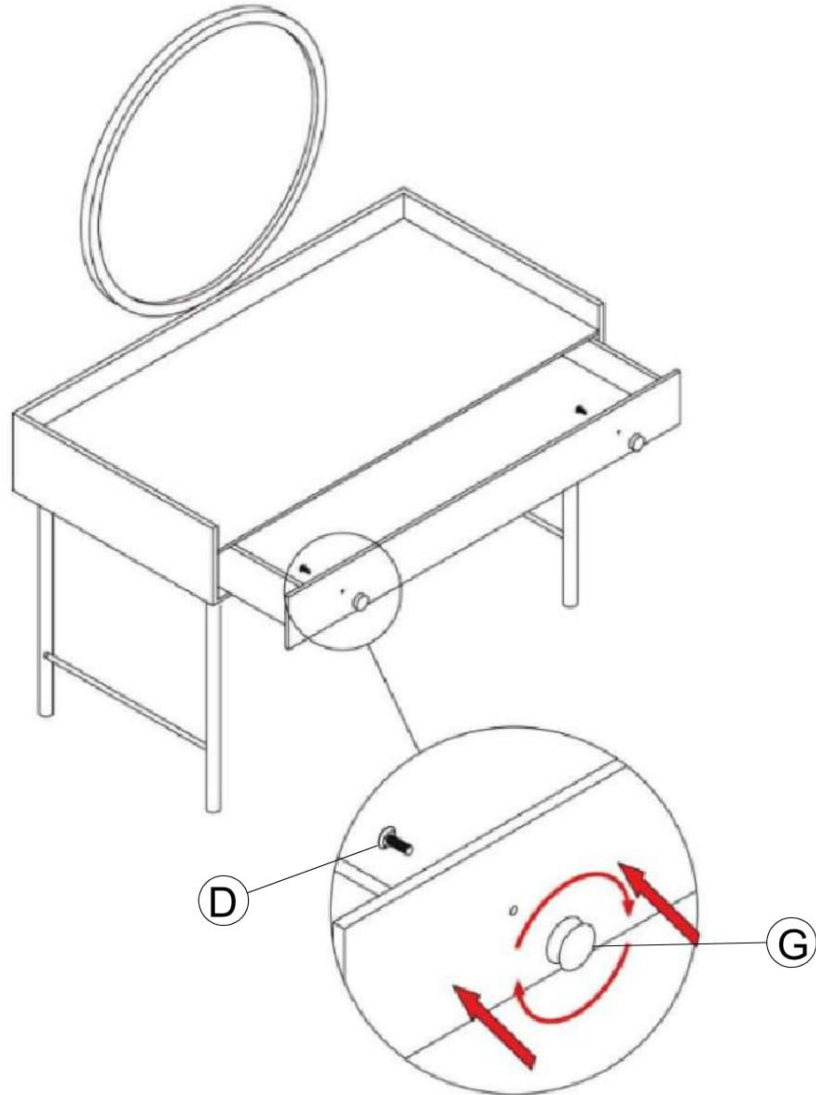





3

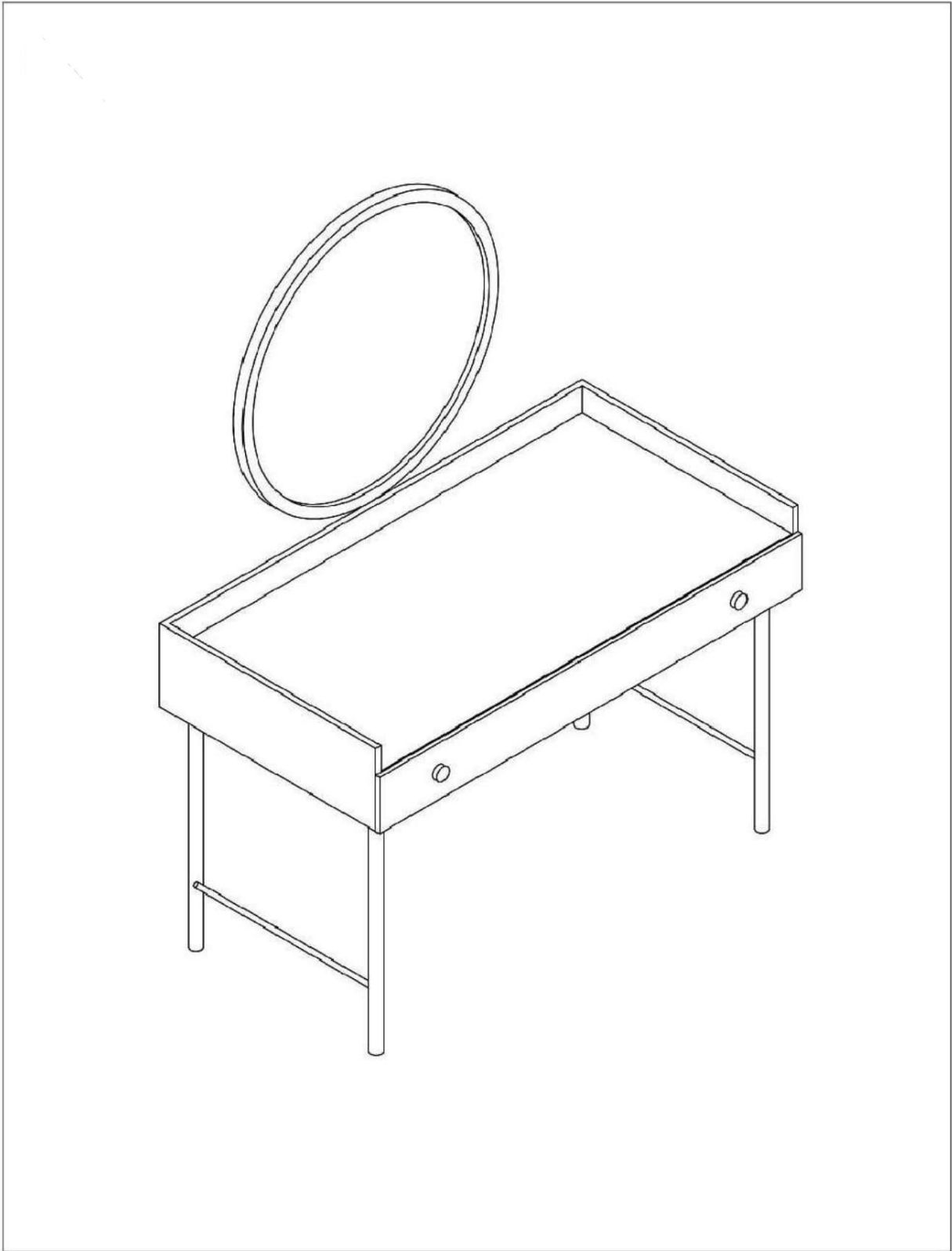


B  Ø17x18mm X1	C  Ø12x18mm X3	E  Ø22mm X1	F  Ø18mm X3	H  4mm X1	I  5mm X1
---	---	--	--	--	--

4



<p>D</p>  <p>Ø8x25mm X 2</p>	<p>G</p>  <p>Ø23x25mm X 2</p>	<p>I</p>  <p>X 1</p>
---	--	---



V1 - 001061

7/7