
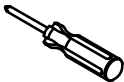
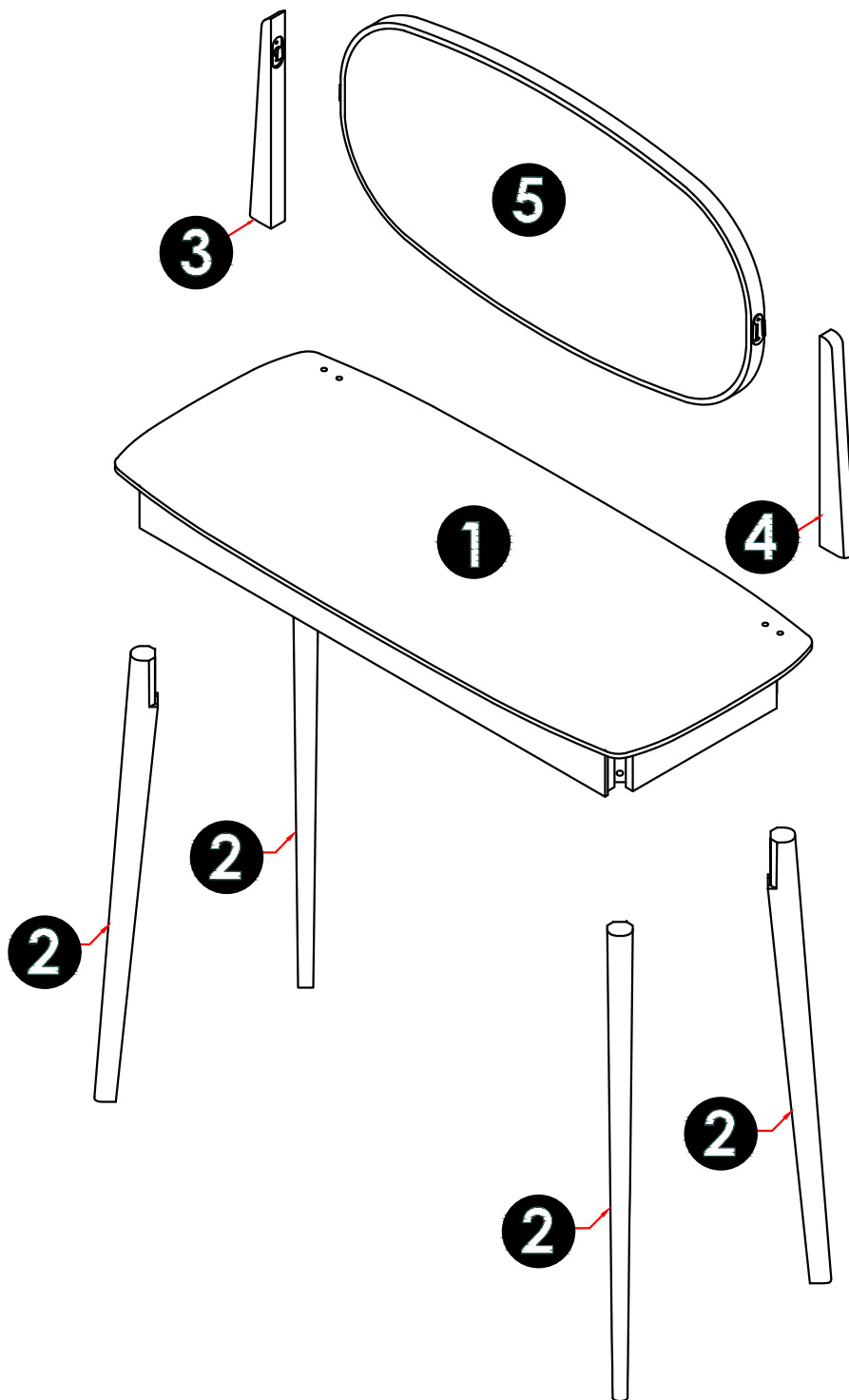


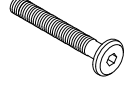
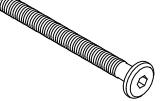


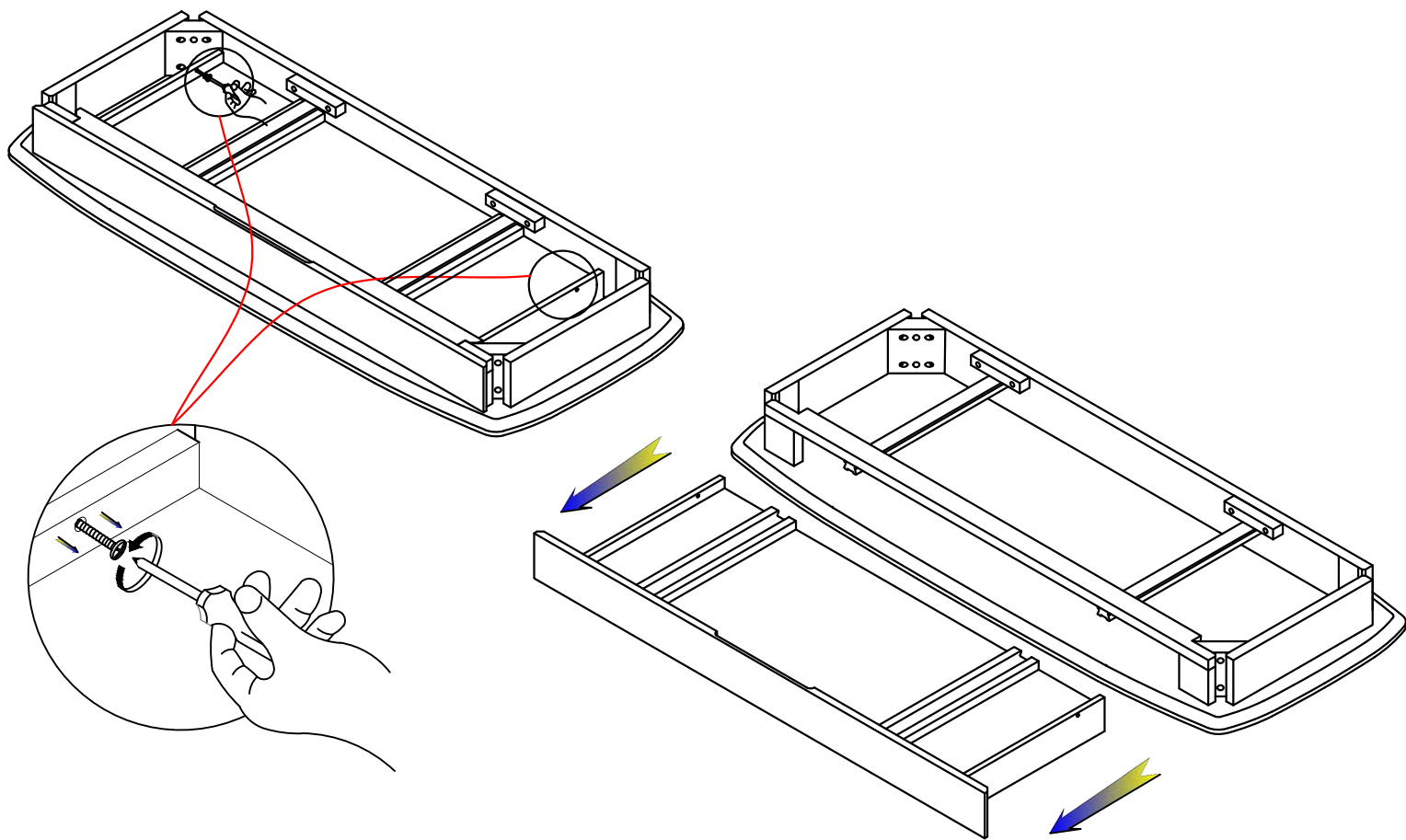
 30 MIN		
---	---	---

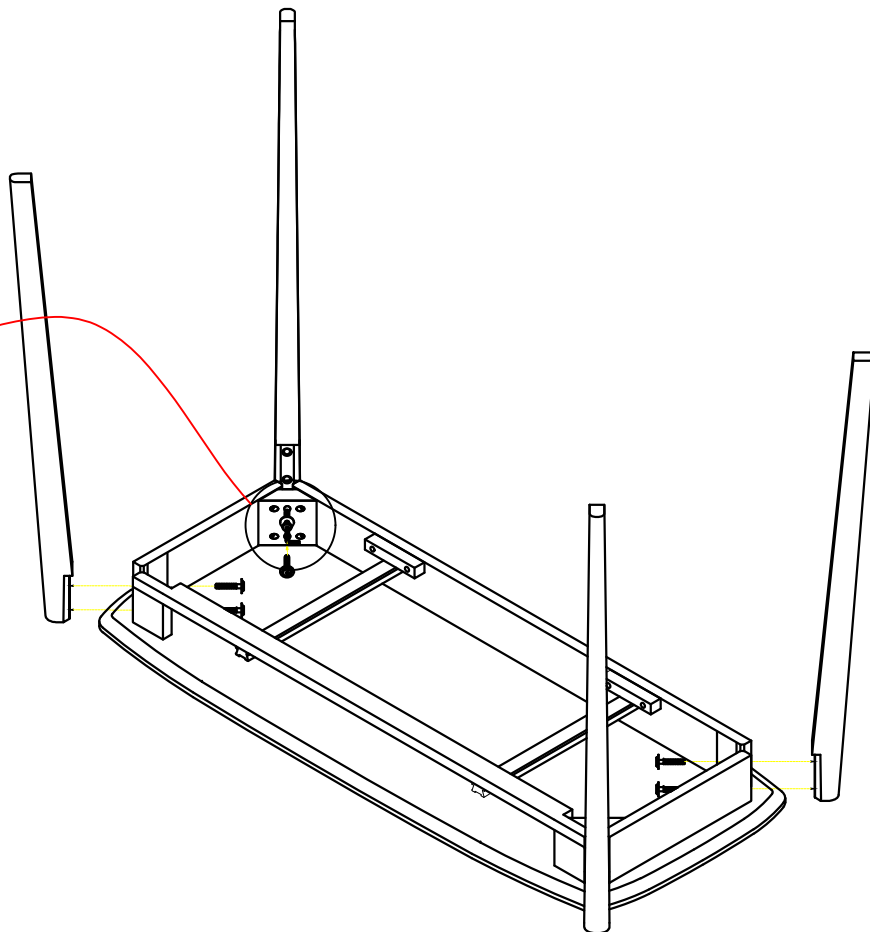
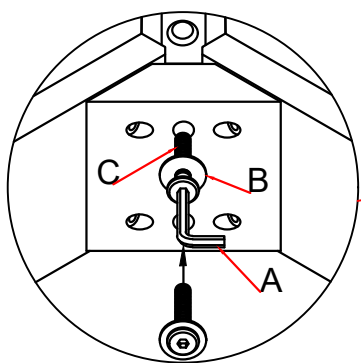



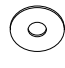
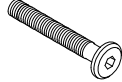
<p>A M4*30*115</p>  <p>X1</p>	<p>B Ø6*Ø19 mm</p>  <p>X8</p>	<p>C M6*55 mm</p>  <p>X8</p>	<p>D M6*90 mm</p>  <p>X2</p>	<p>E 6 X 18</p>  <p>X2</p>	<p>F 7.7 X 25</p>  <p>X2</p>
---	---	--	--	--	---

1

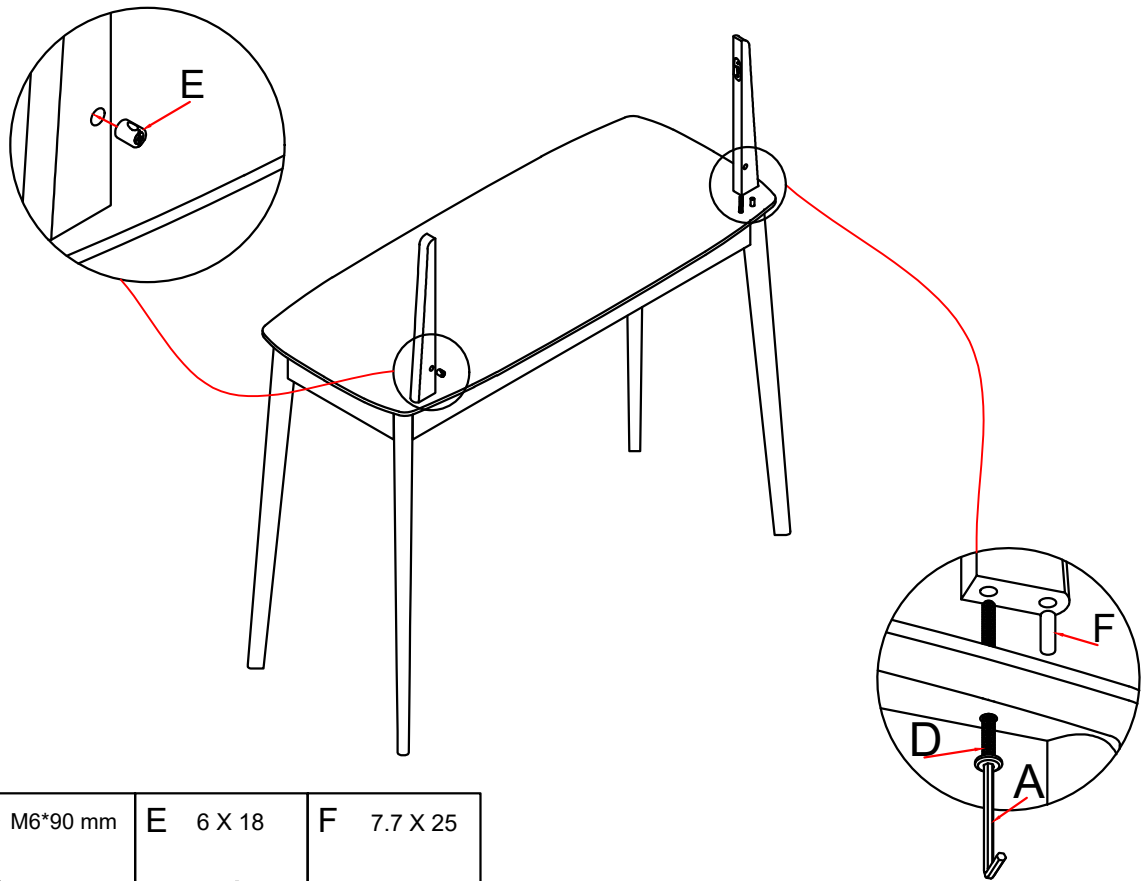



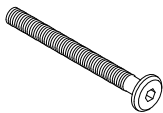


2



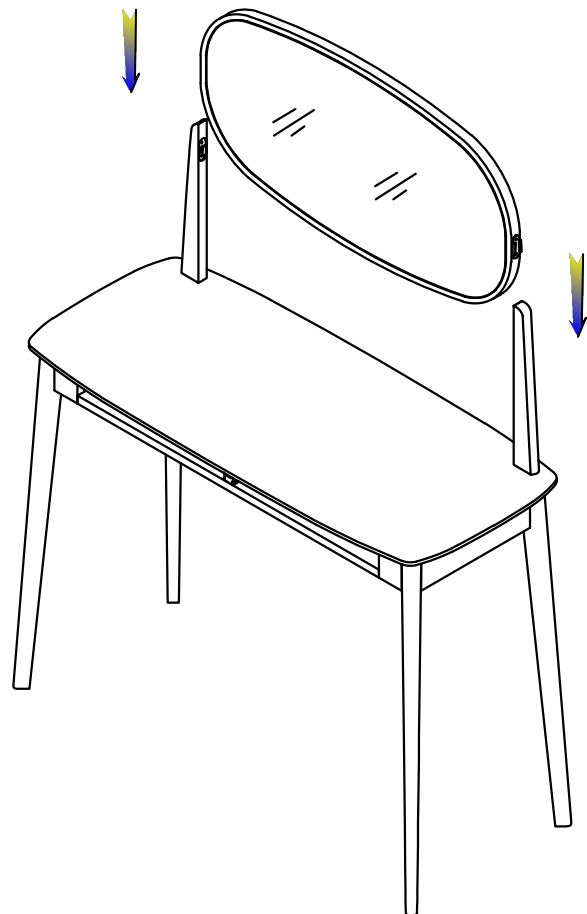
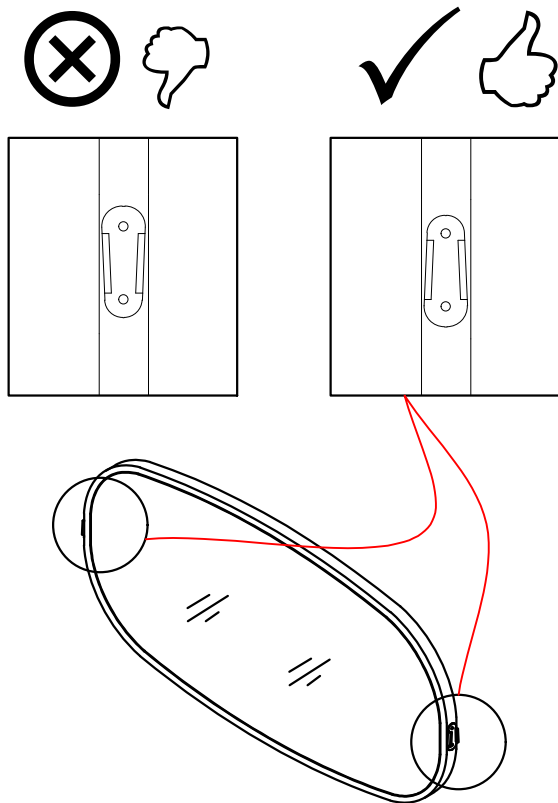
<p>A M4*30*115</p>  <p>X1</p>	<p>B Ø6*Ø19 mm</p>  <p>X8</p>	<p>C M6*55 mm</p>  <p>X8</p>
---	--	---

3



A M4*30*115	D M6*90 mm	E 6 X 18	F 7.7 X 25
 X1	 X2	 X2	 X2

4



5

