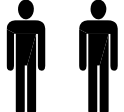
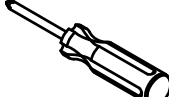
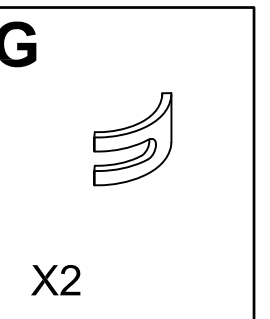
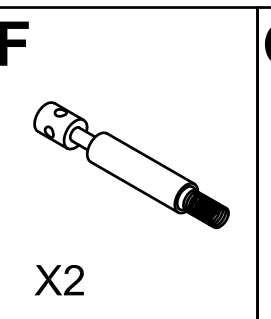
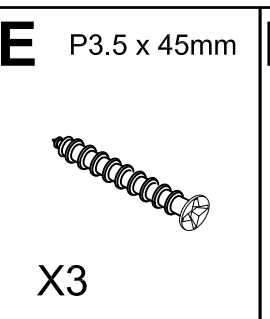
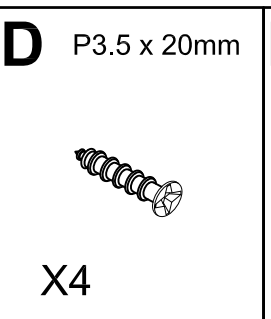
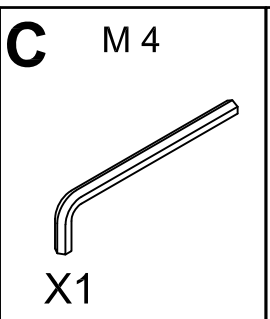
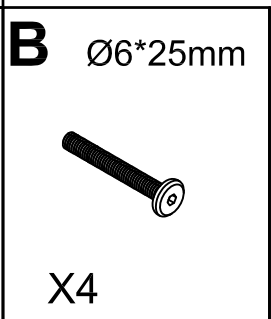
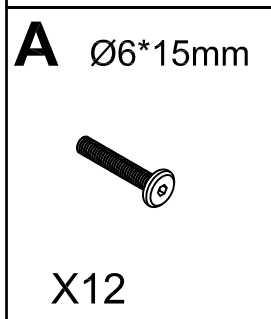
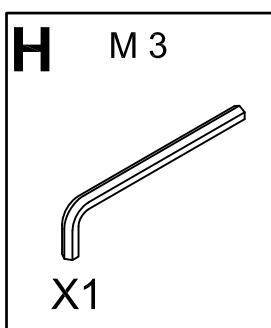
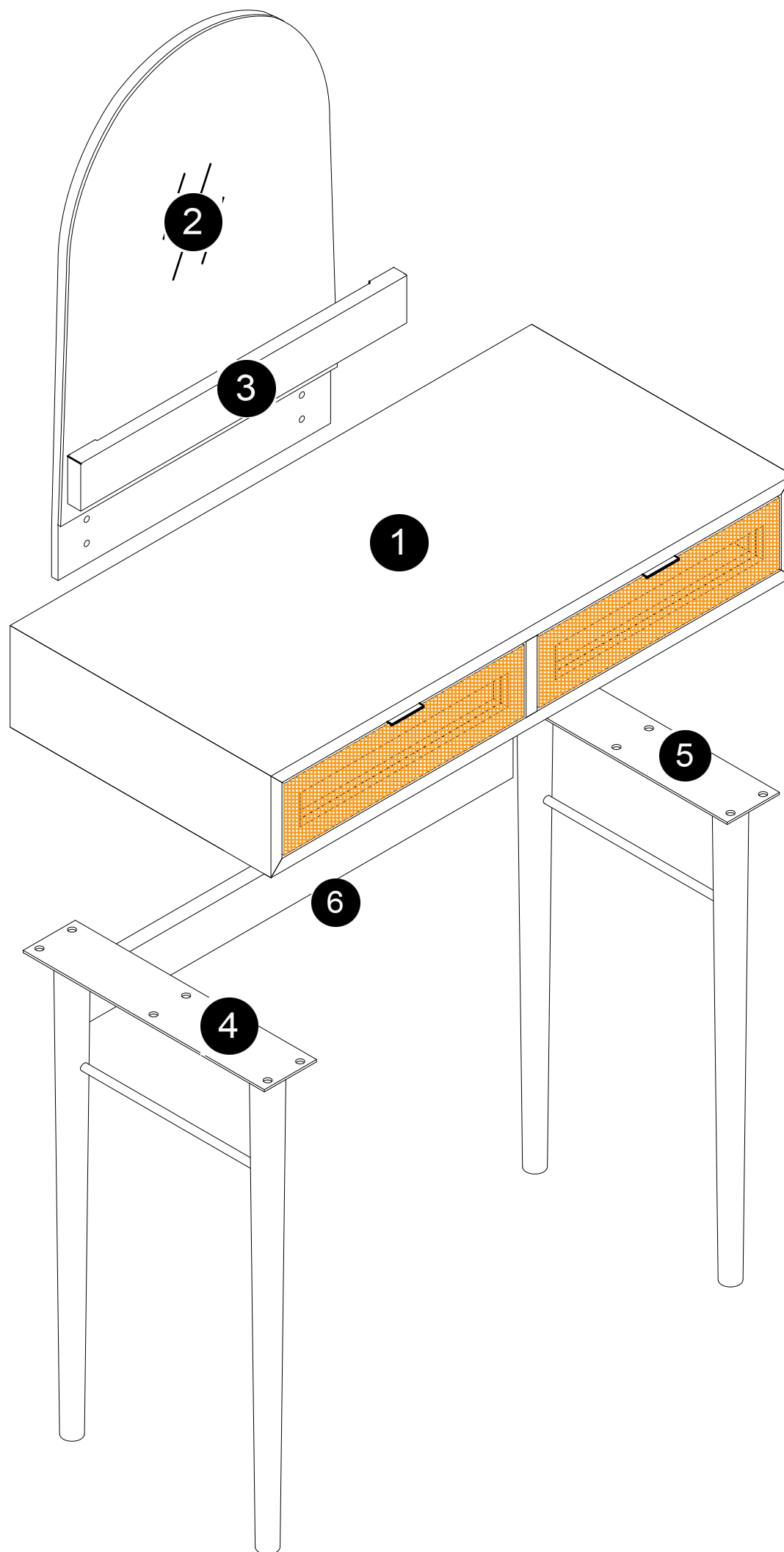
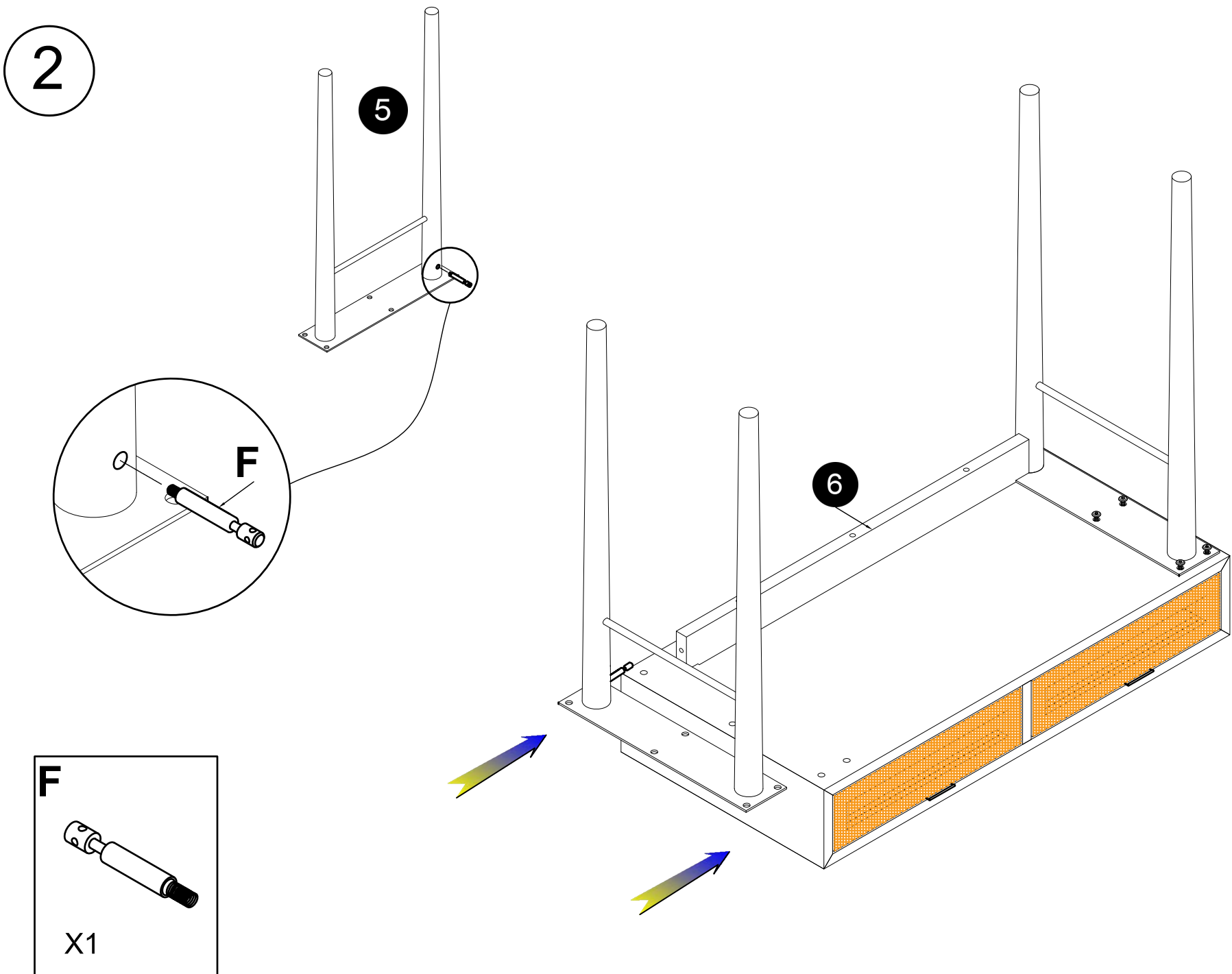
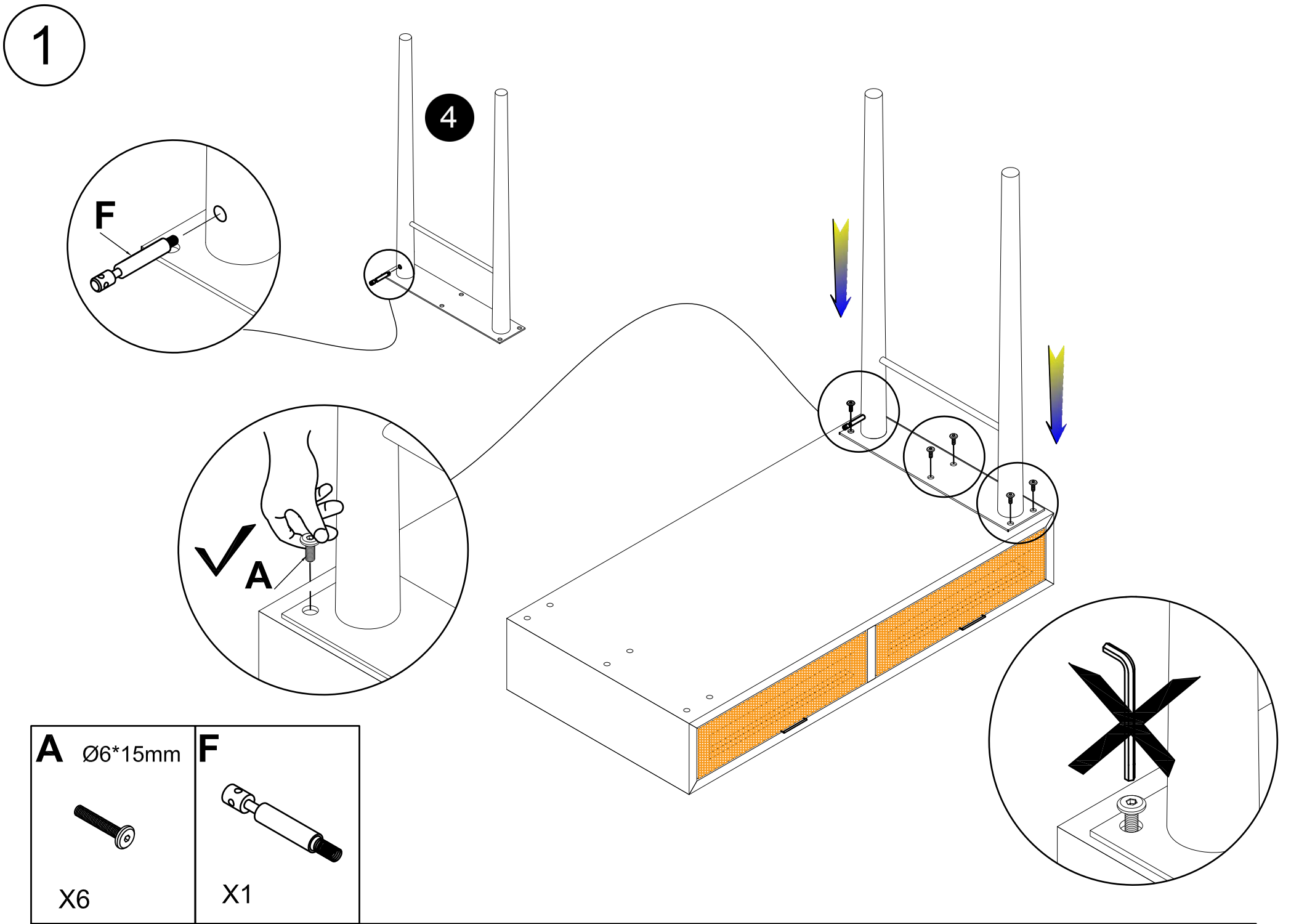
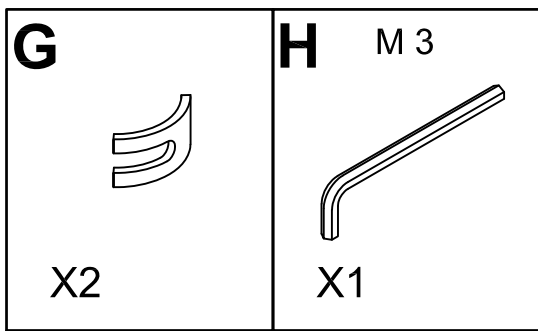
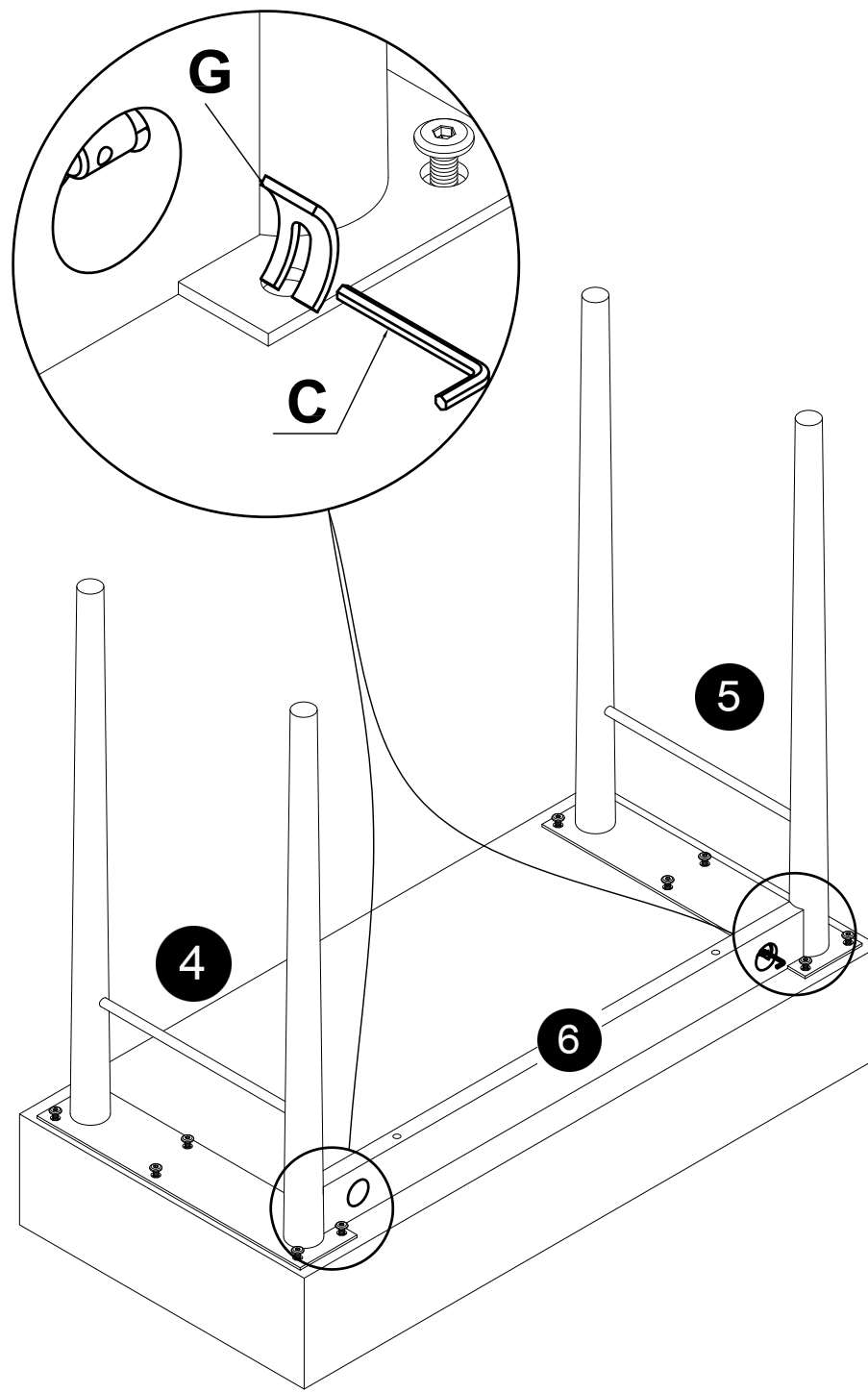
 30 MIN		
--	---	---

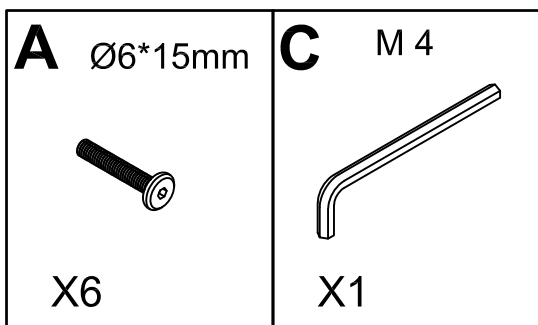
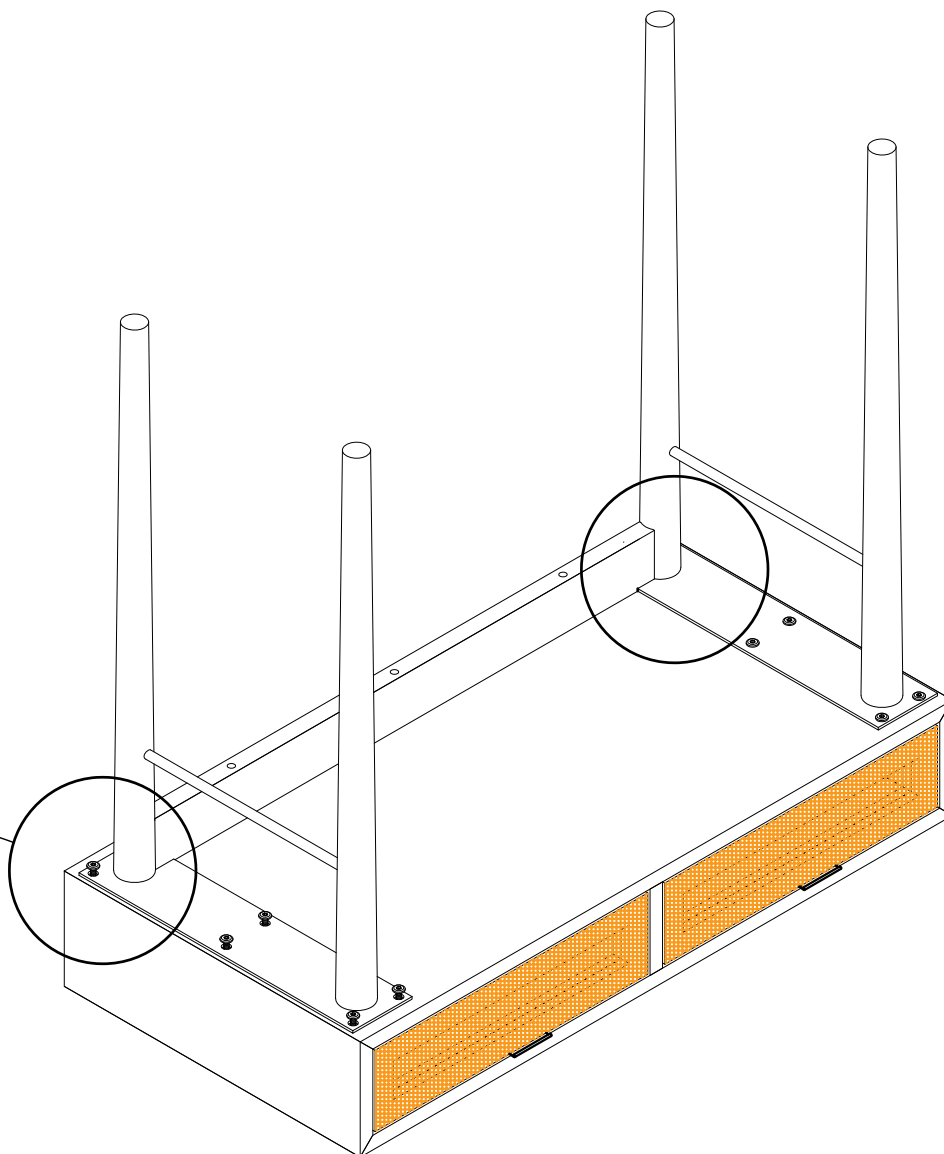
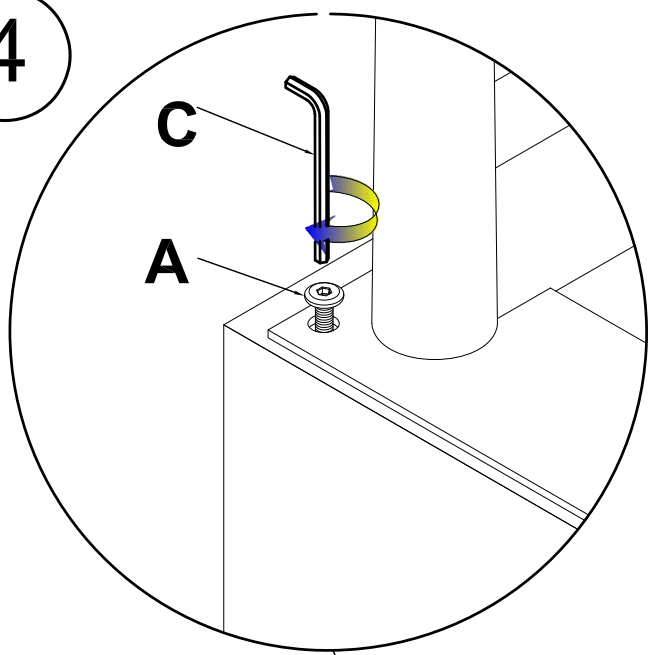




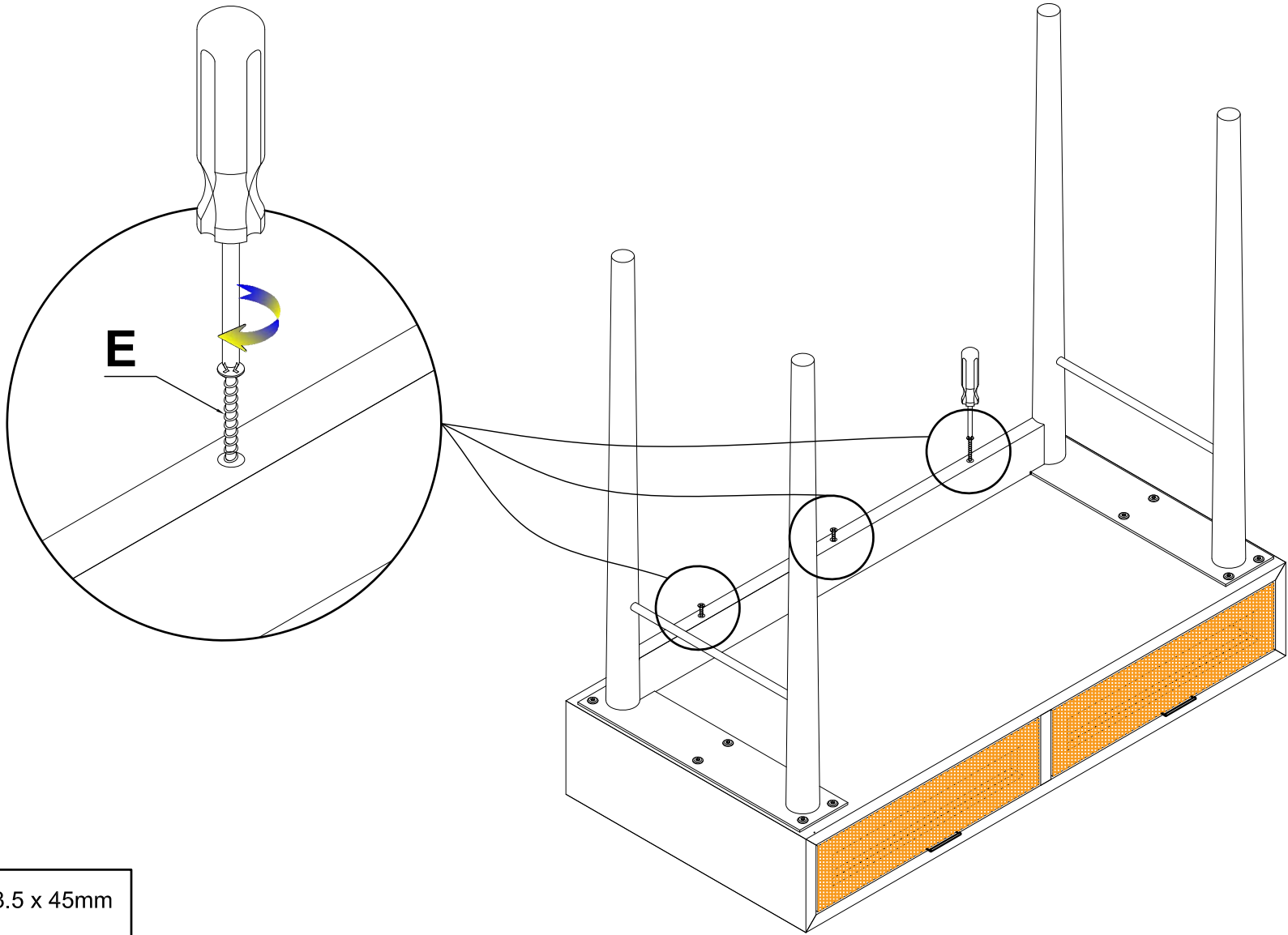
3



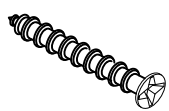
4



5

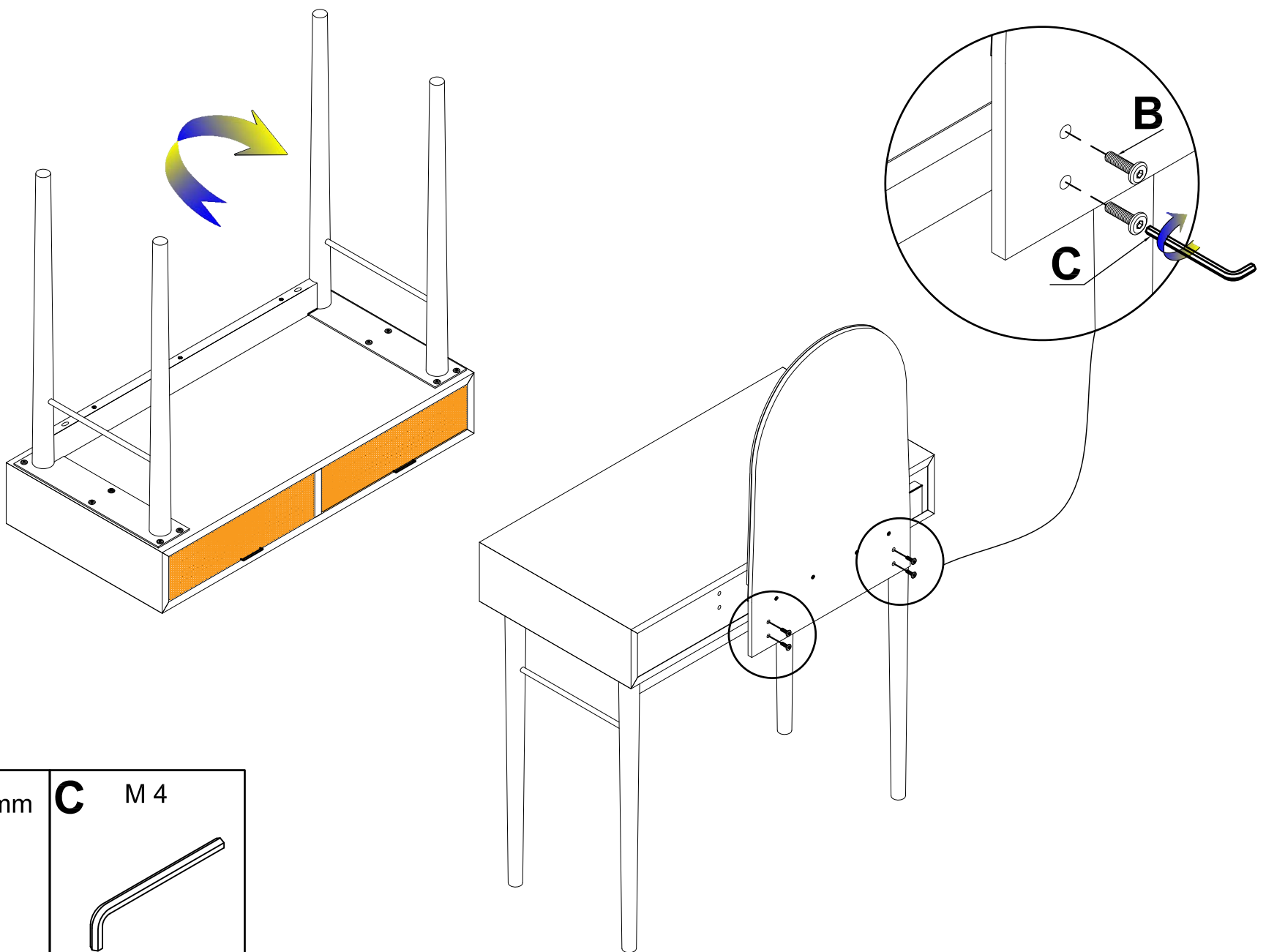



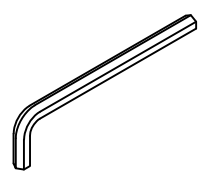
**E** P3.5 x 45mm



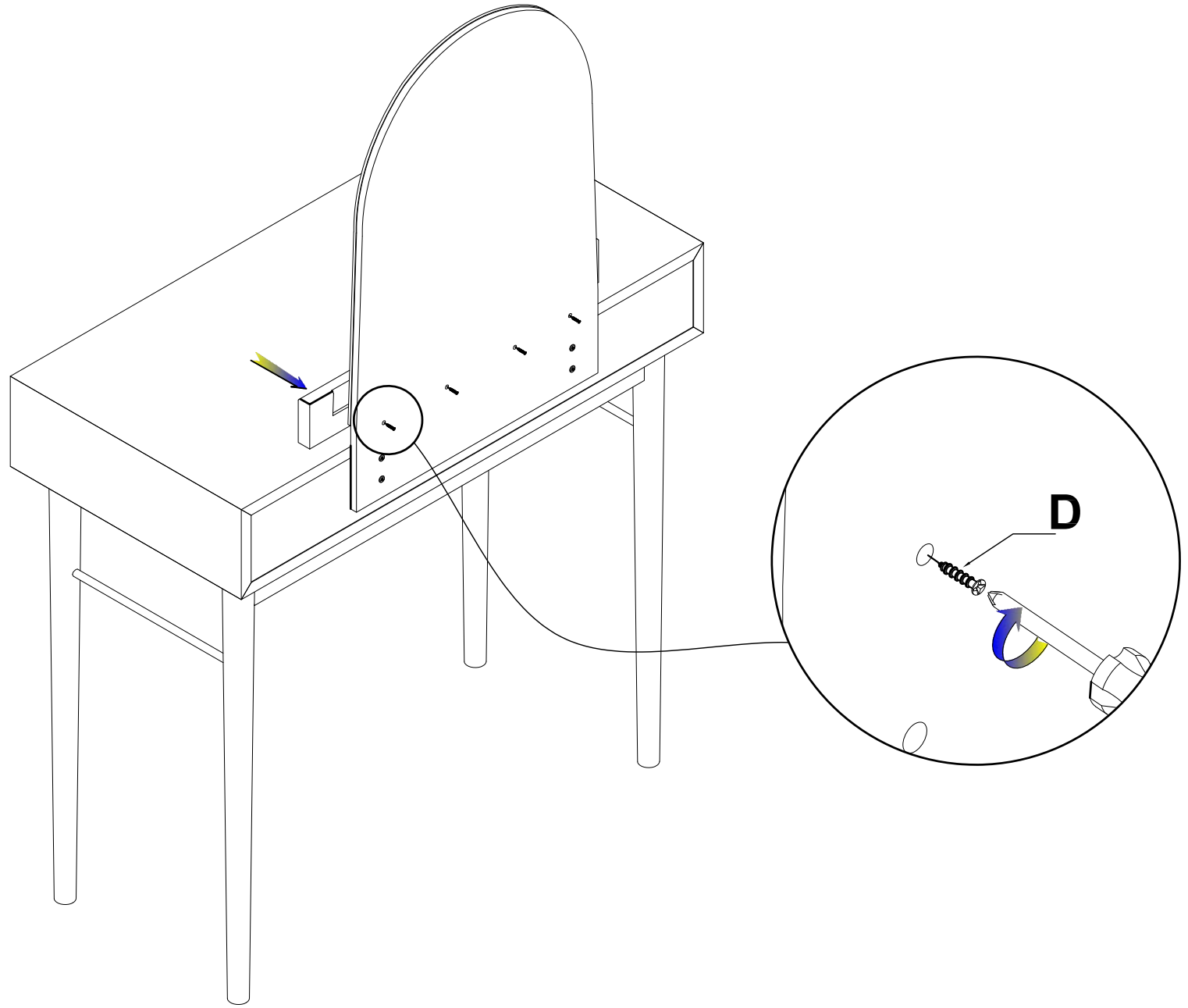
X3

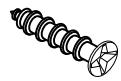
6



<b>B</b> Ø6*25mm	<b>C</b> M 4
	
X4	X1

7



**D** P3.5 x 20mm  
  
X4

8

