

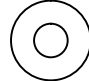


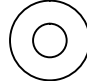
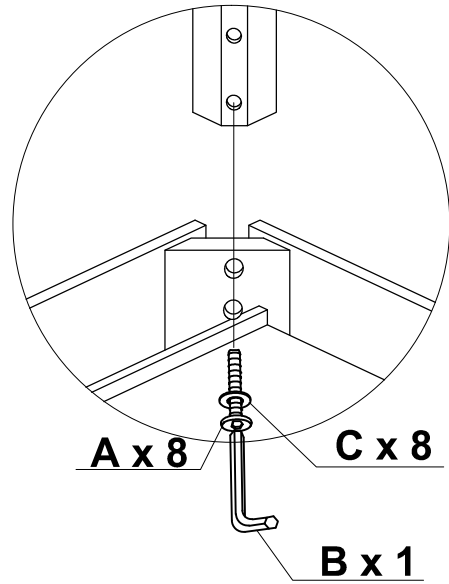
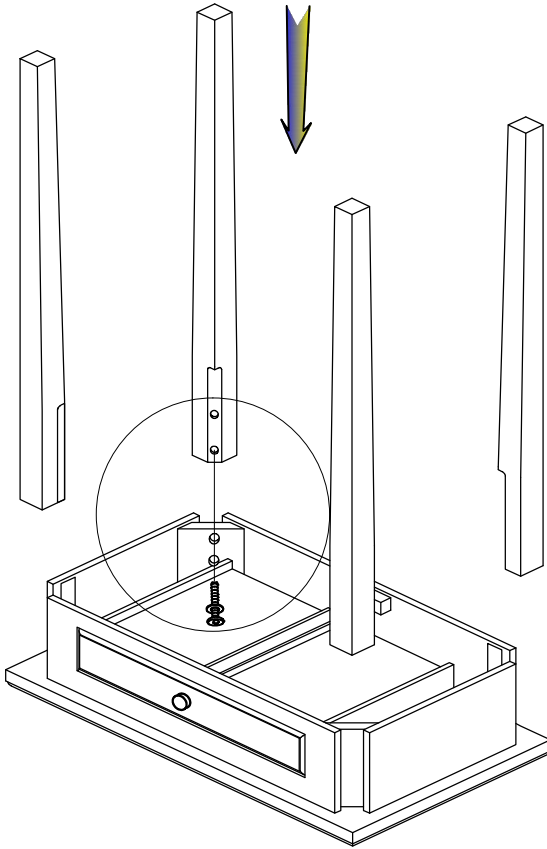


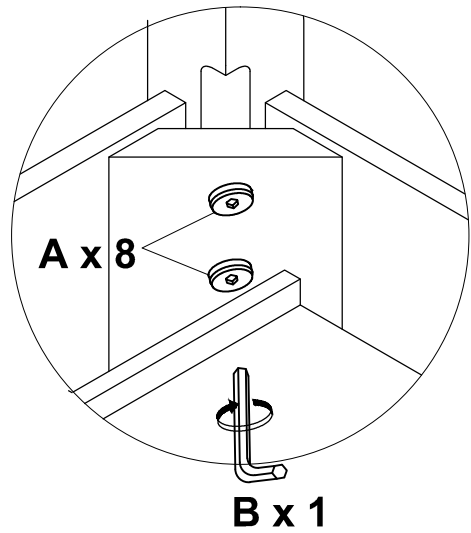
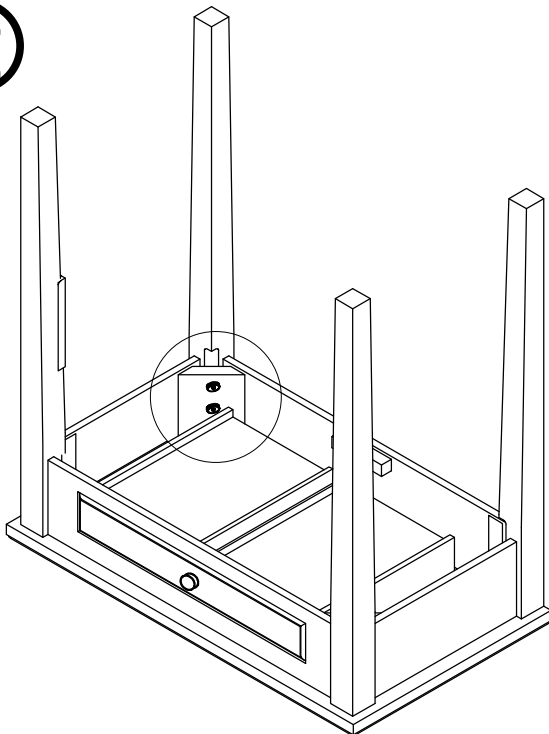
A  $\text{Ø}8 \times 45 \text{ mm}$ X8	B  $4 \times 100 \text{ mm}$ X1	C  $\text{Ø}8 \times 19 \text{ mm}$ X8	D  $M6 \times 30$ X2	E  $\text{Ø}4 \times 40 \text{ mm}$ X2	G  $\text{Ø}18 \times 2 \text{ mm}$ X2
--	---	--	--	---	--




V1- 002211

1

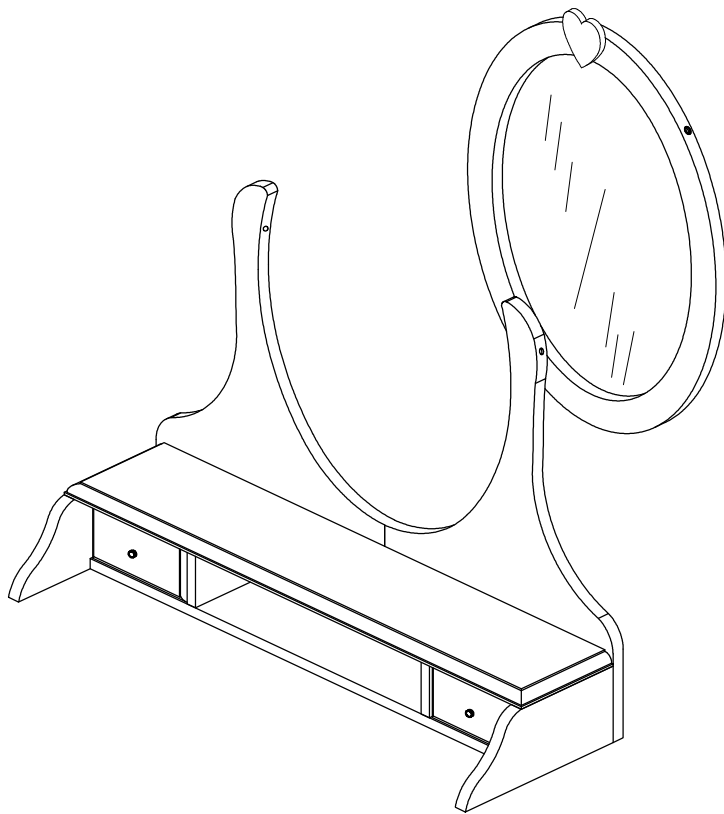


2

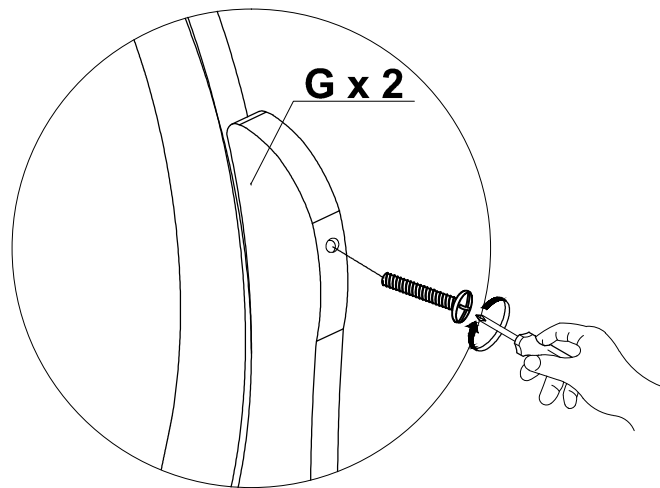
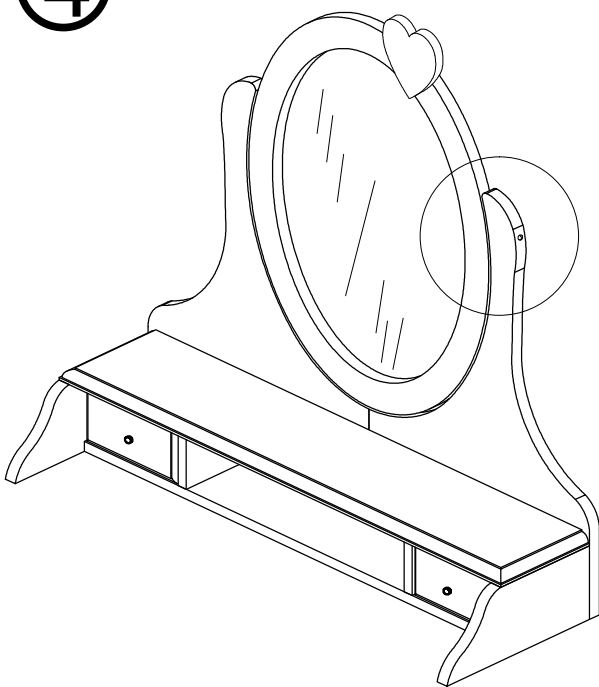




A  Ø8*40mm X8	B  4*100 mm X1	C  Ø8 * 19 mm X8
--	--	--

3

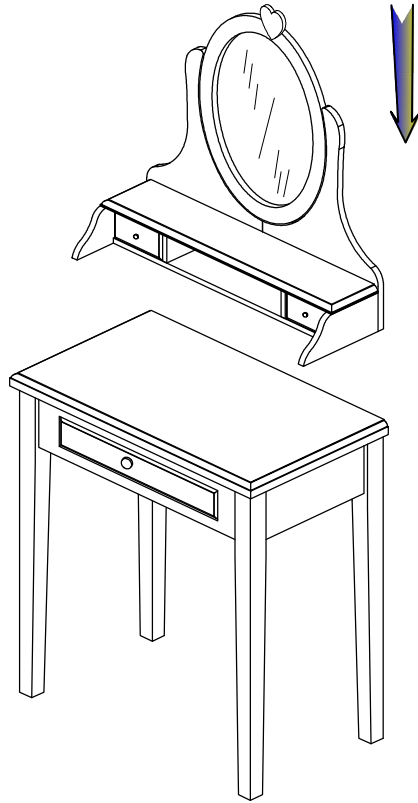


4

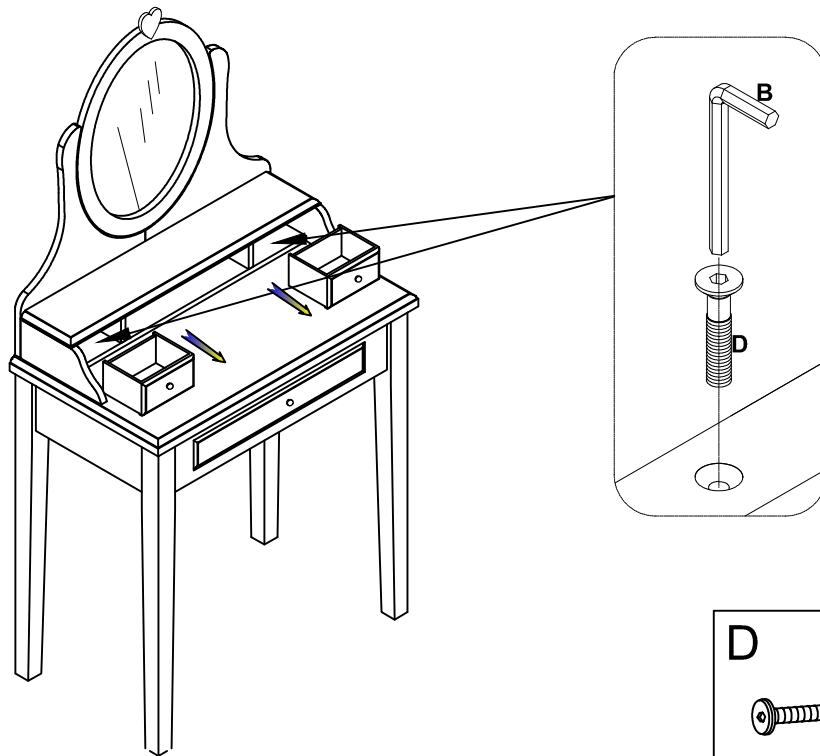




G  Ø18*2 mm X2	E  Ø4*40mm X2
--	---

5

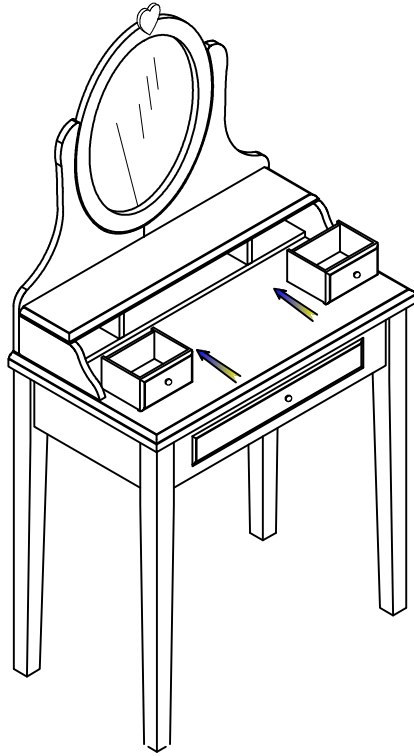


6



D  M6x30 X2	B  4*100 mm X1
--	---

7



8

