

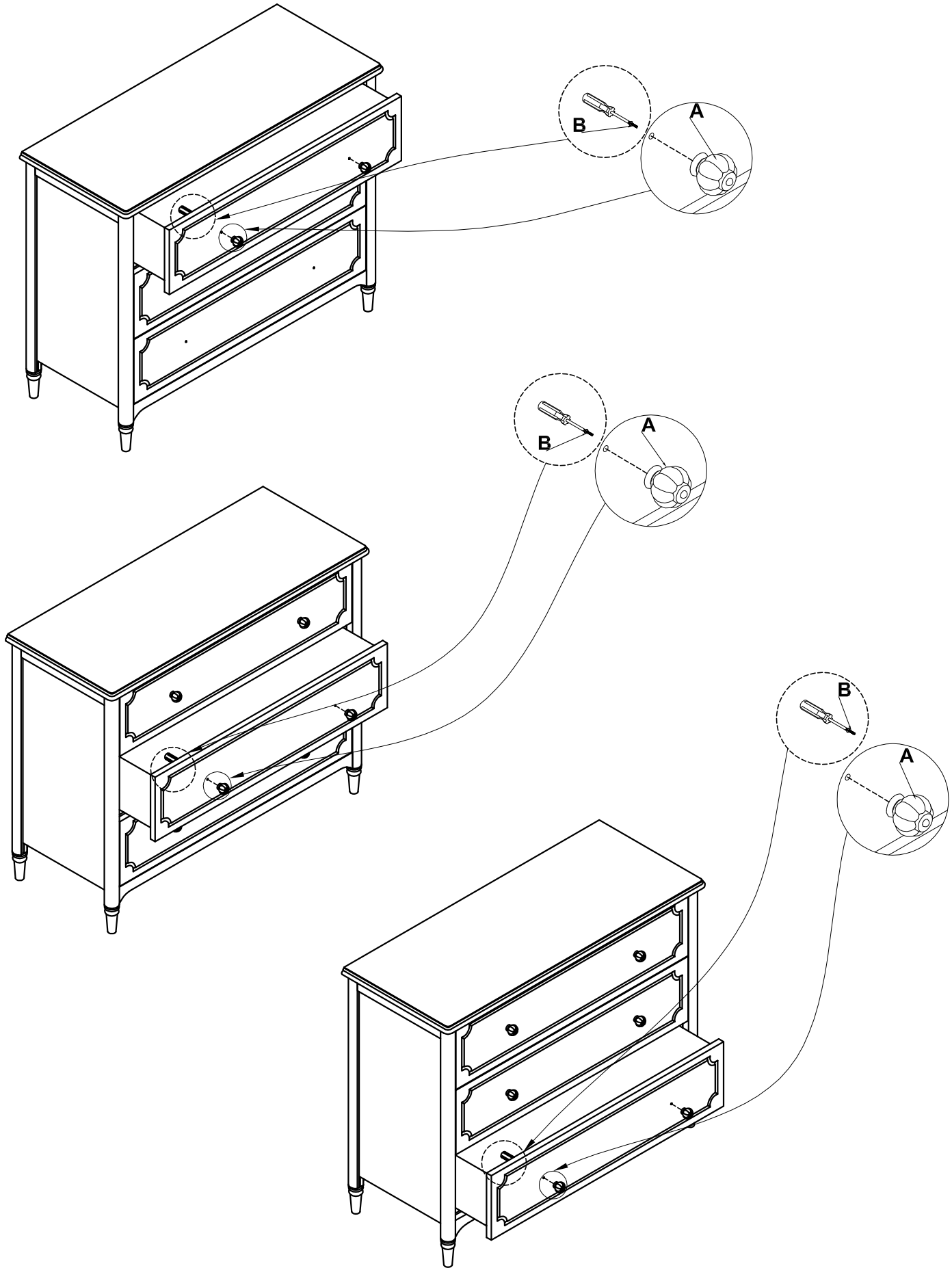




A	B Ø4*35mm
	
X6	X6

1



A	B Ø4*35mm
	
X6	X6