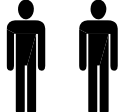
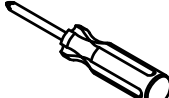
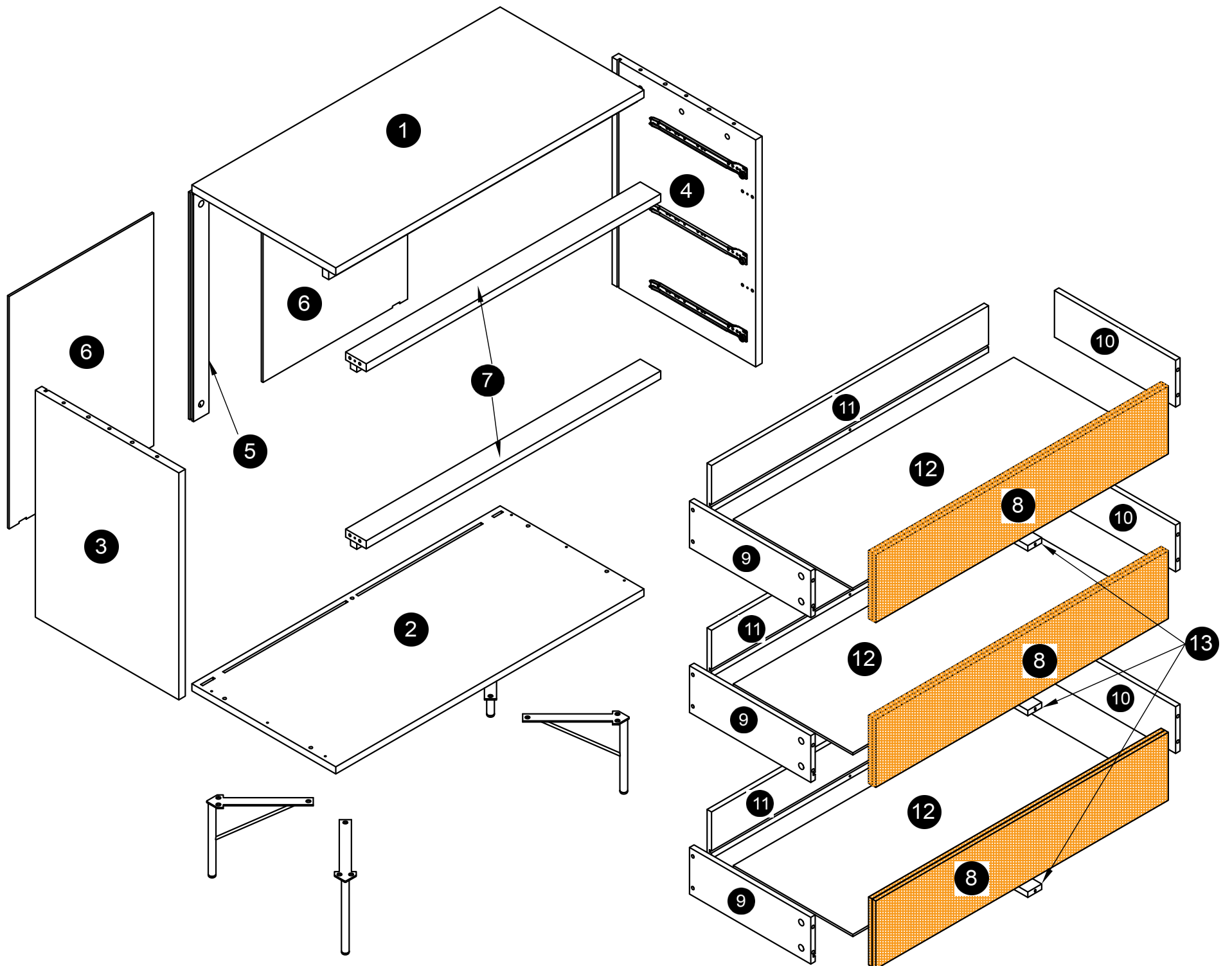
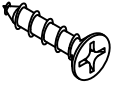
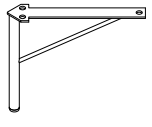
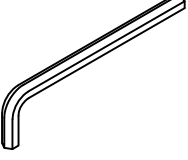

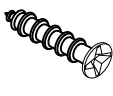
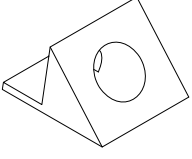
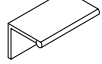
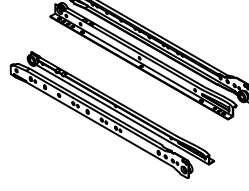
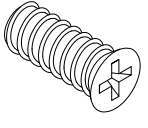

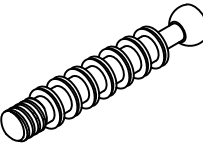
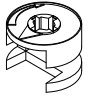
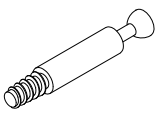

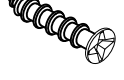
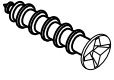
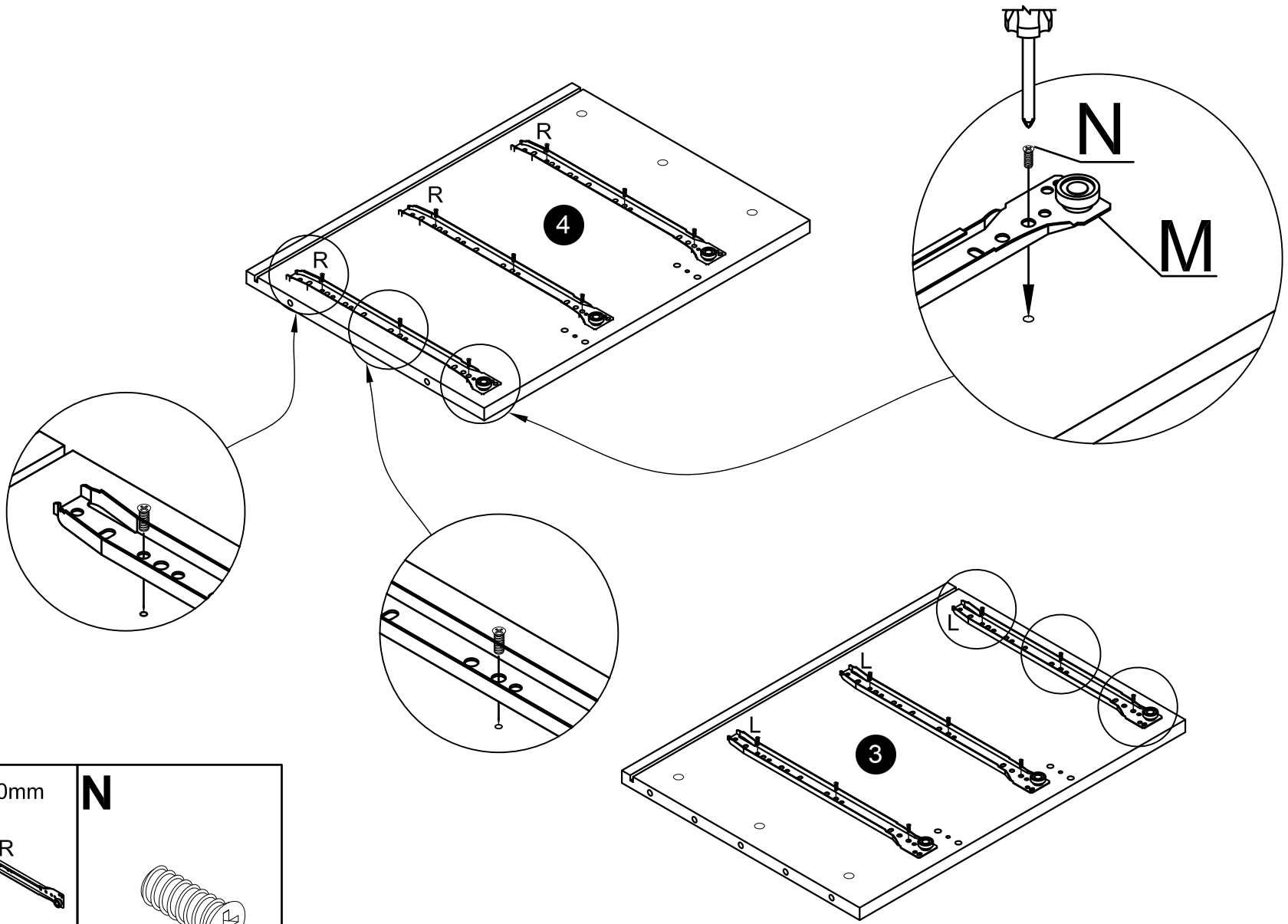
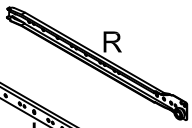
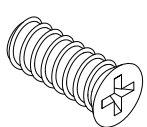
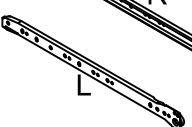
 30 MIN		
--	---	---



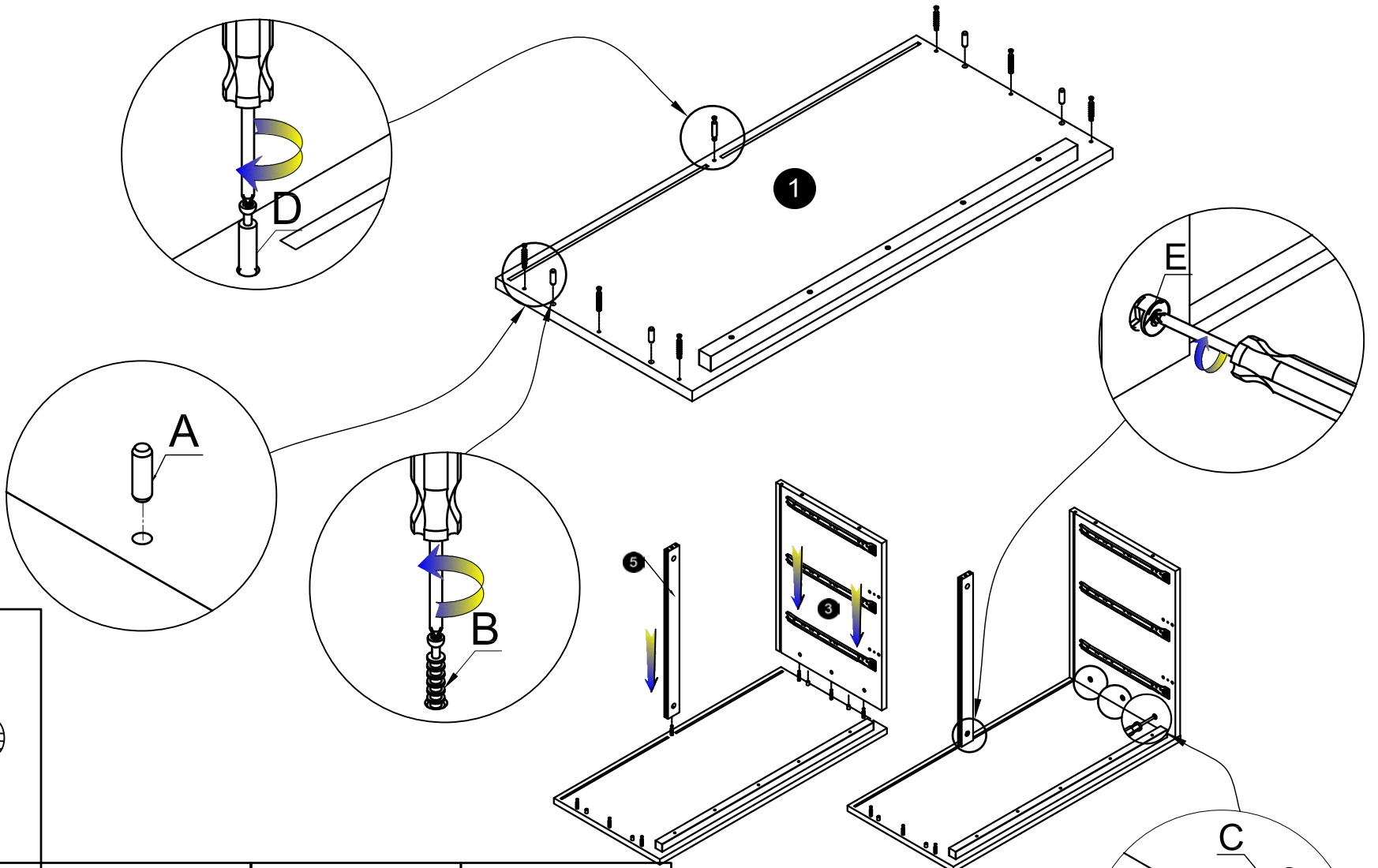
O 3 x 12  X30	P  X4						
H M4  X8	I Ø6x15mm  X12	J M3.5 x 35mm  X6	K  X8	L  X6	M 350mm  X3	N  X18	
A Ø7.7x 25  X8	B  X10	C  X10	D  X17	E  X17	F M3.5 x 15mm  X8	G M3.5 x 25mm  X15	


1

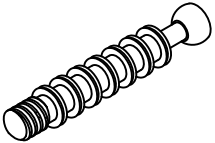
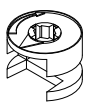
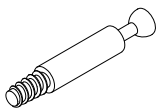



M	350mm	N
	R	
	L	
X3		X18

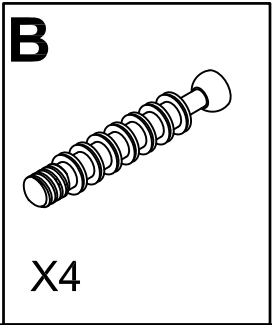
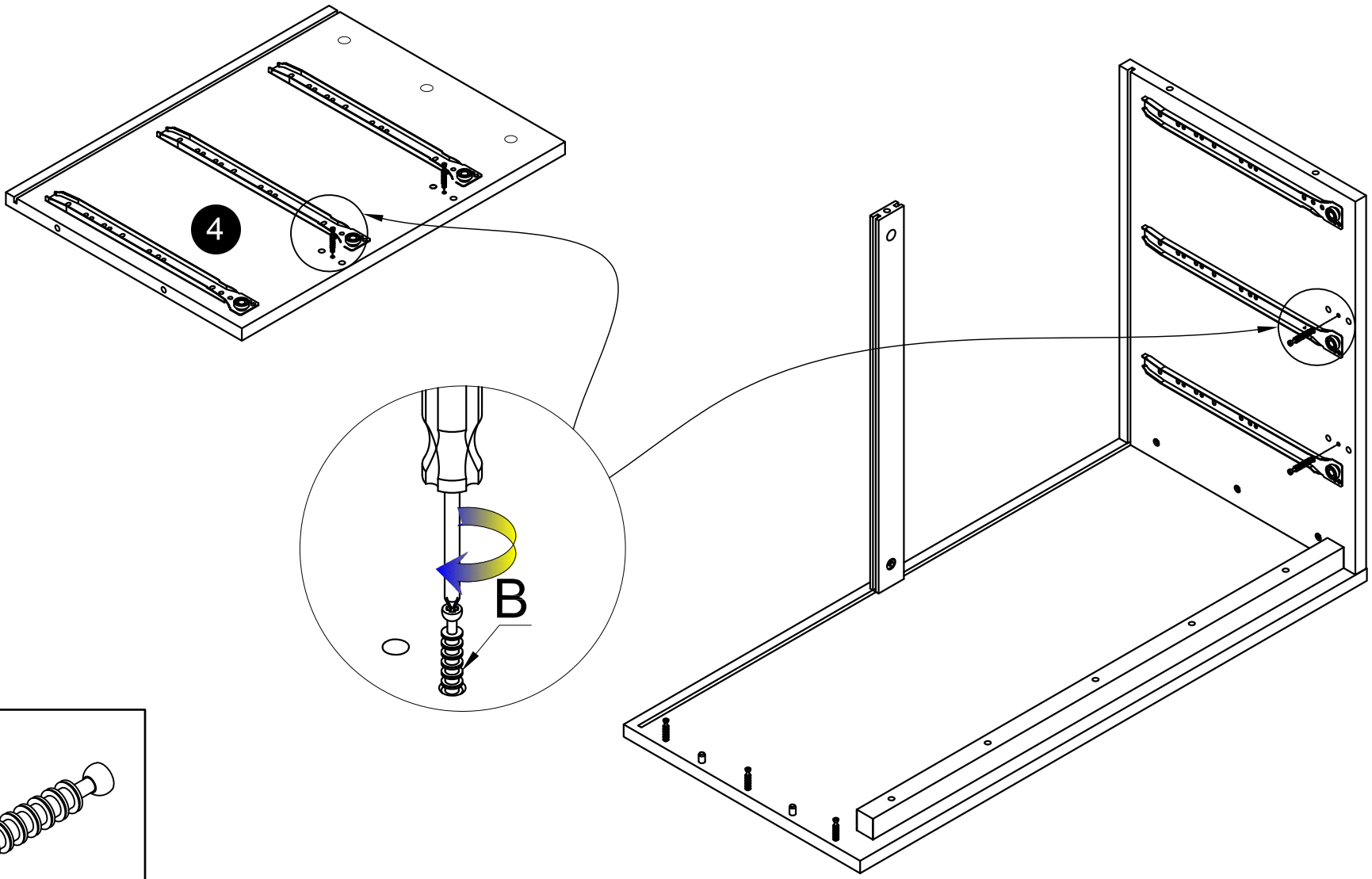
2



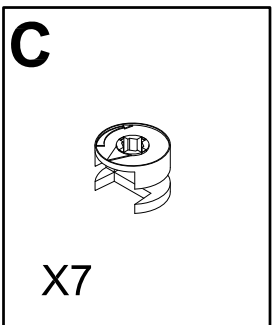
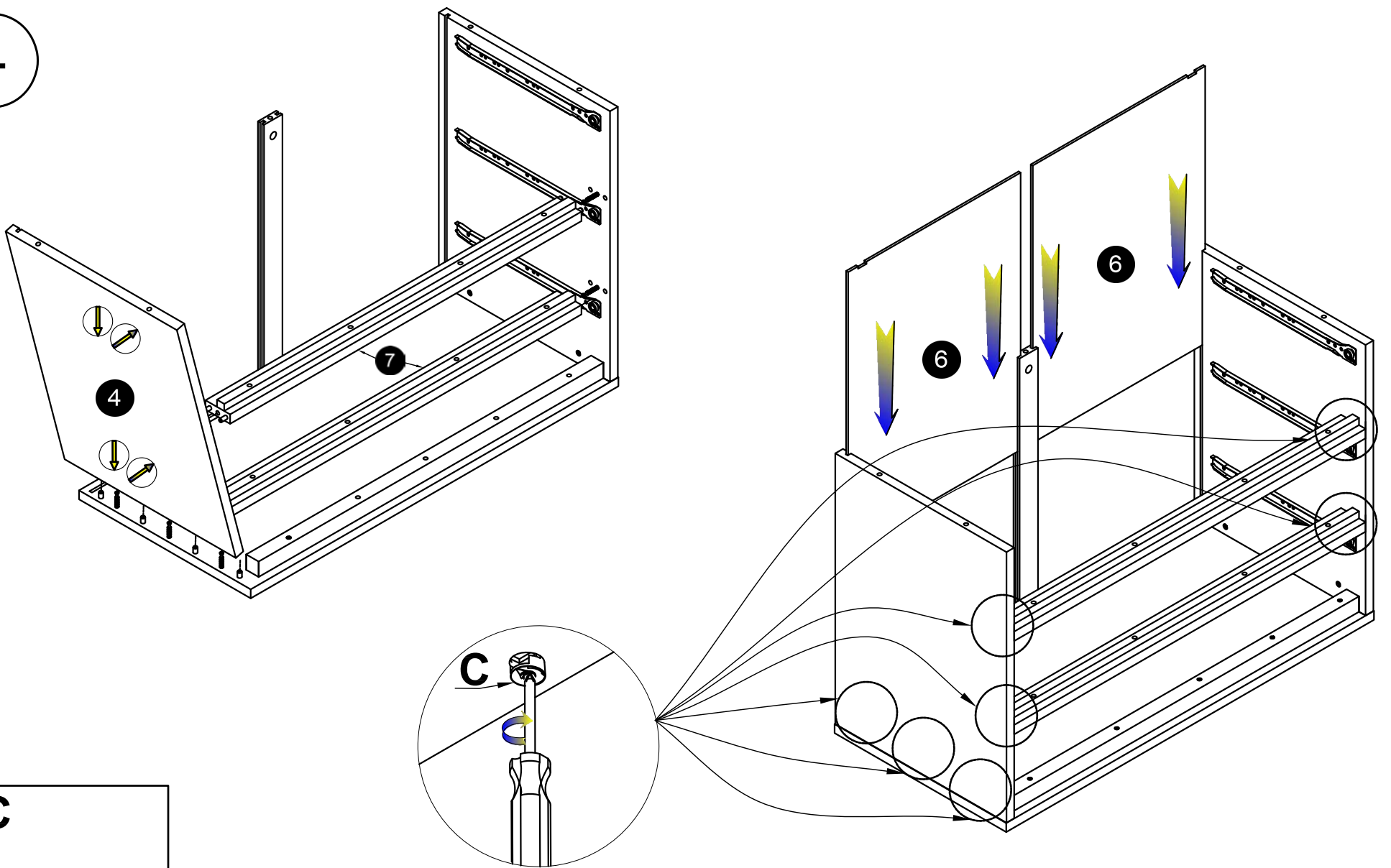
A	Ø7.7x 25
	
X4	

B	C	D	E
			
X6	X3	X1	X1

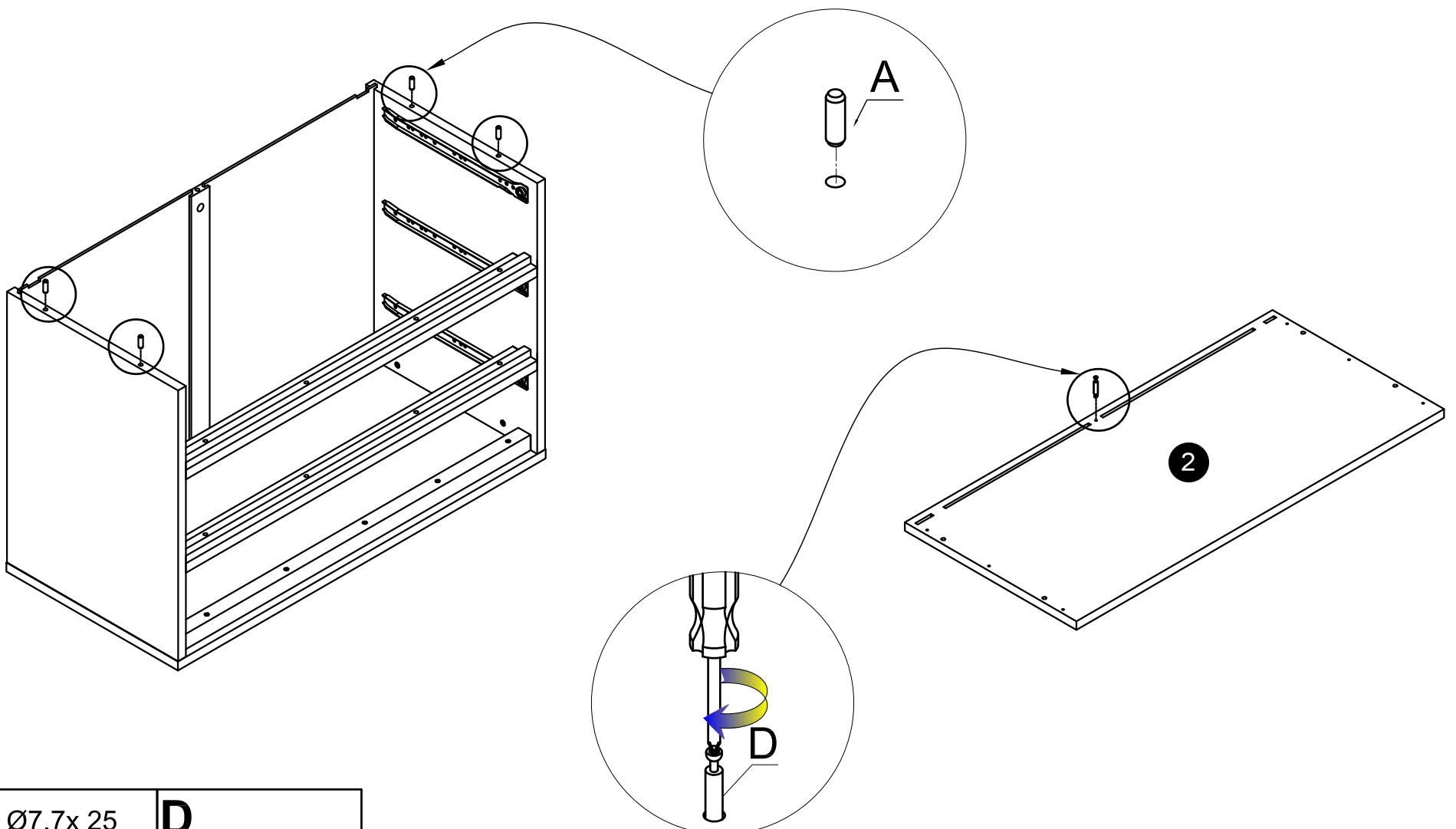
3


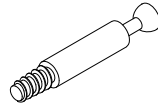


4

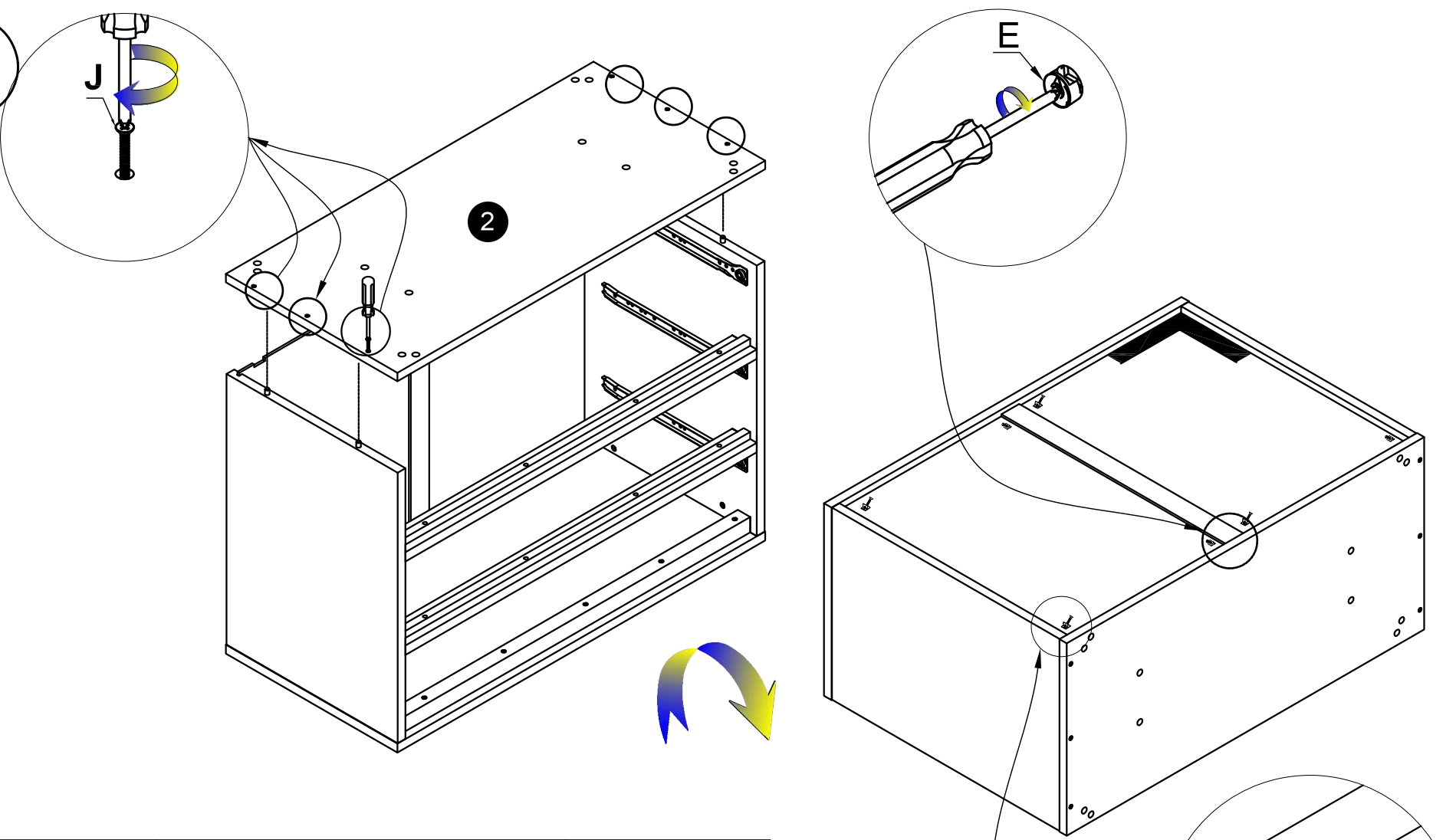


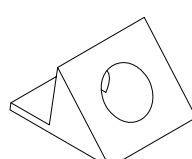

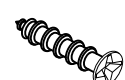

5



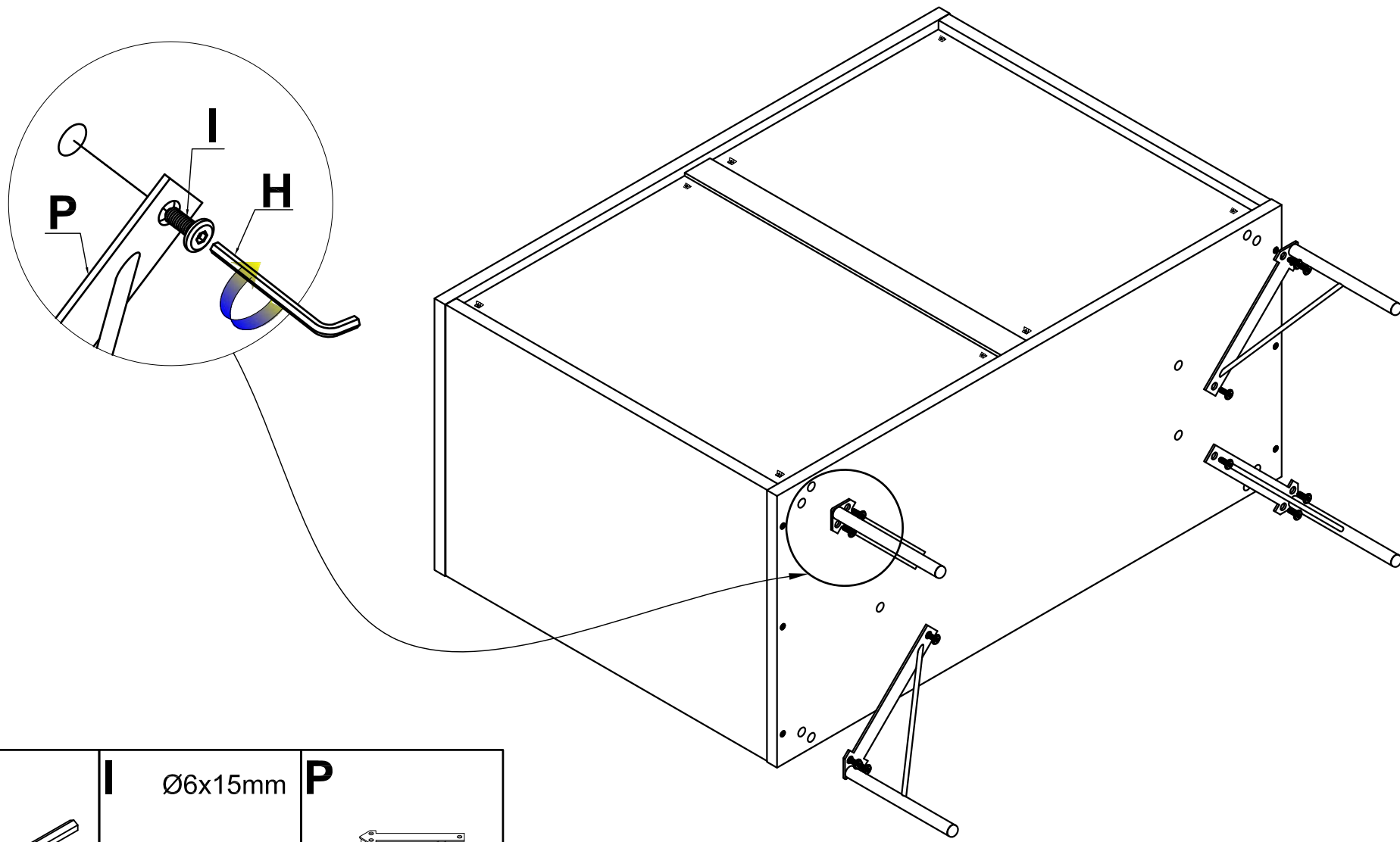
A Ø7.7x 25	D
	
X4	X1

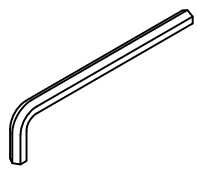

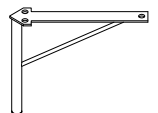
6



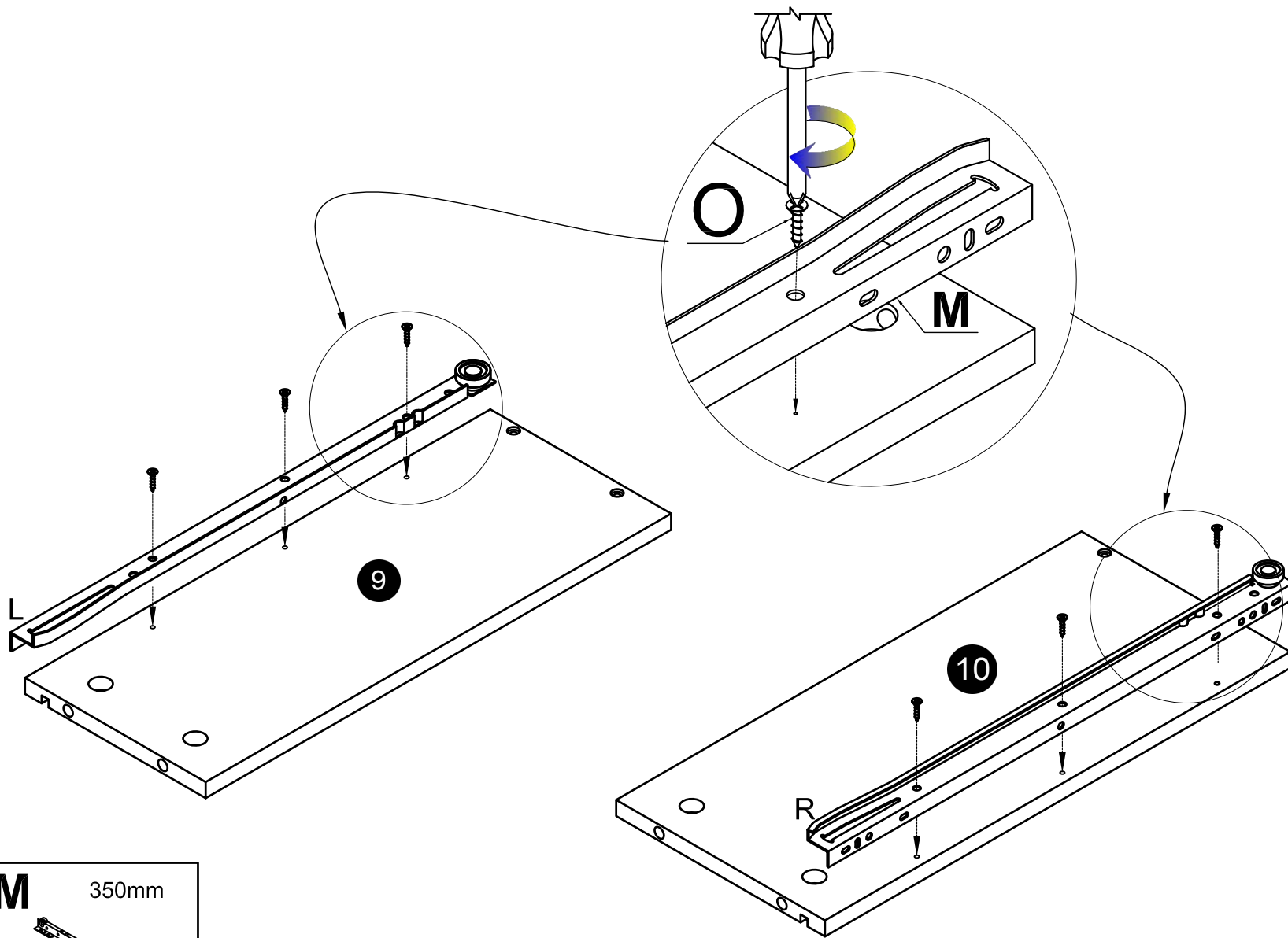
K	F M3.5 x 15mm	J M3.5 x 35mm	E
			
X8	X8	X6	X1

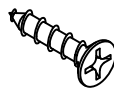
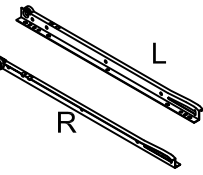
7



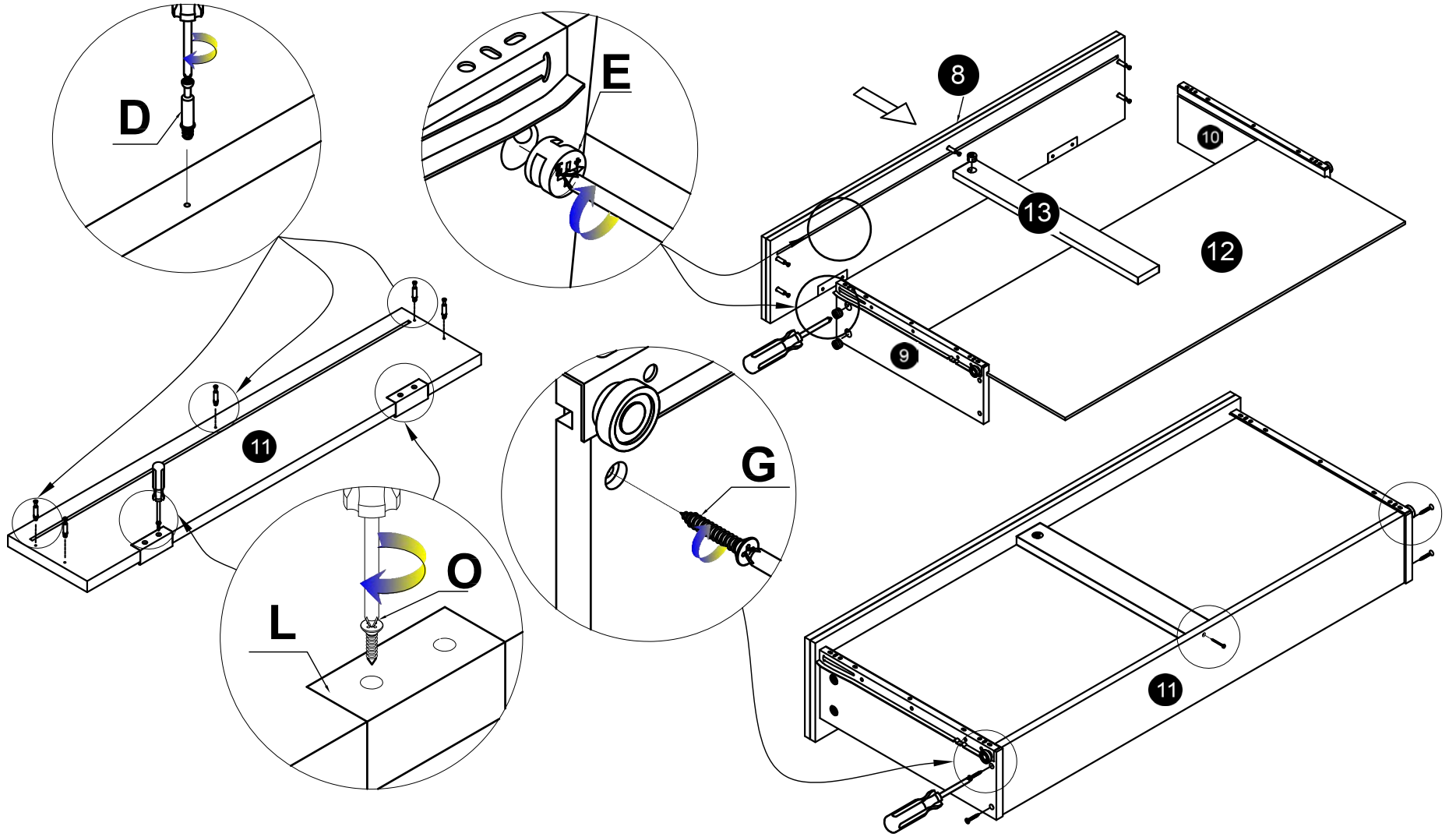
H M4	I Ø6x15mm	P
		
	X12	X4

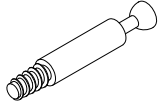

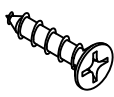
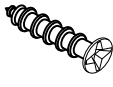
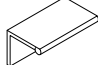
8



O 3 x 12	M 350mm
	
X18	X3

9



D  X15	E  X15	O 3 x 12  X12	G M3.5 x 25mm  X15	L  X6
--	--	---	---	---

