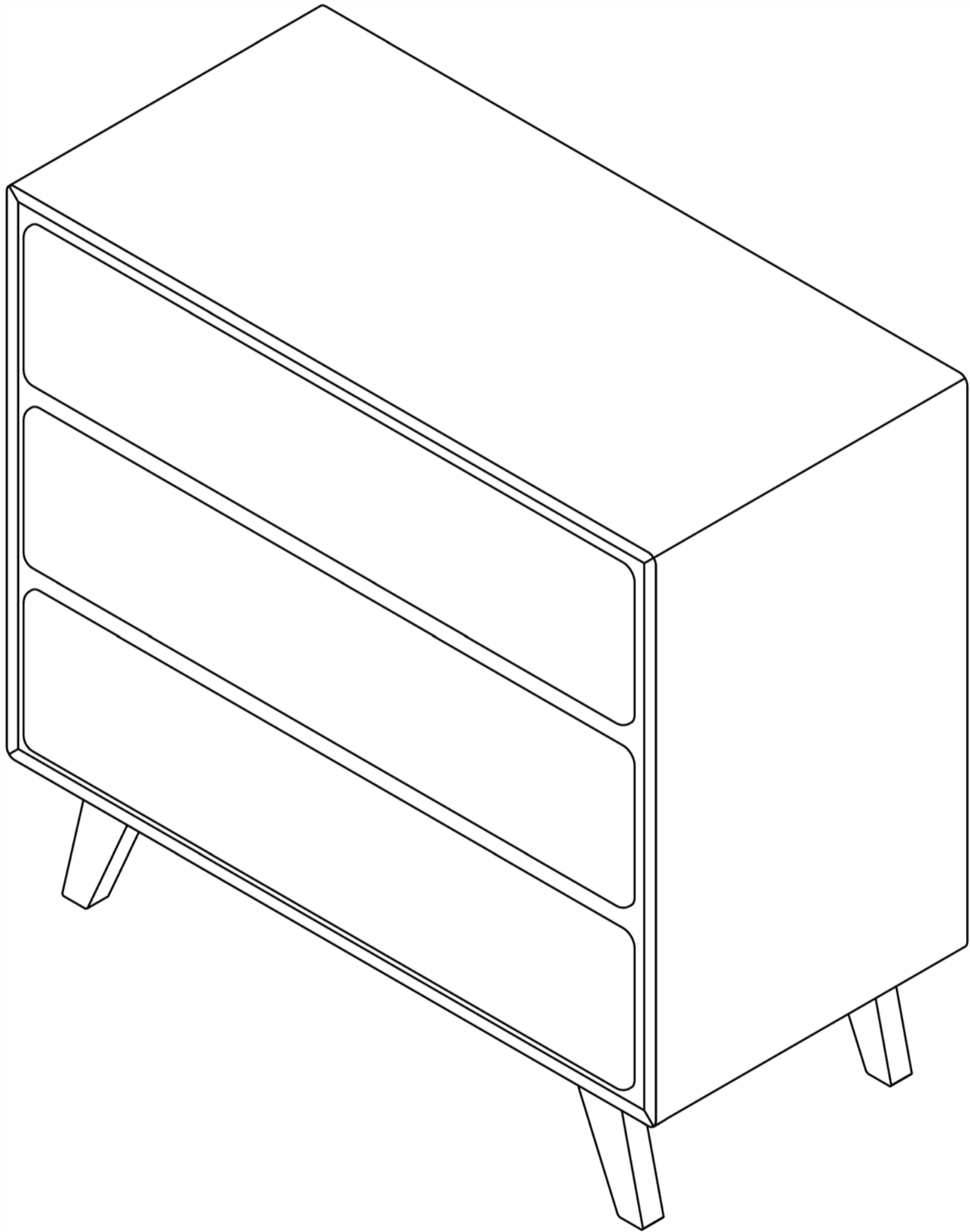
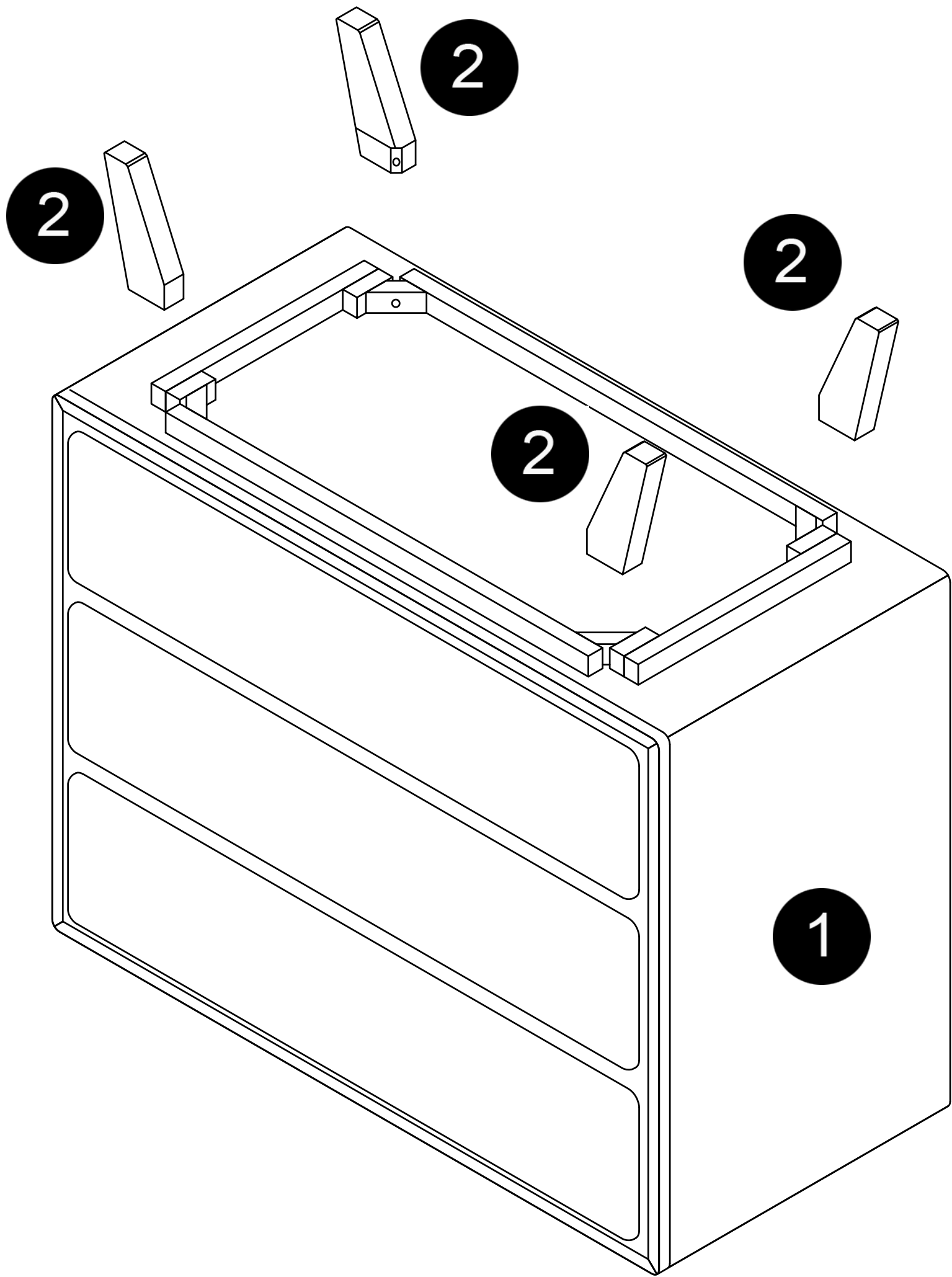
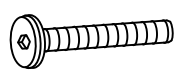



193434-193435-193436-193437

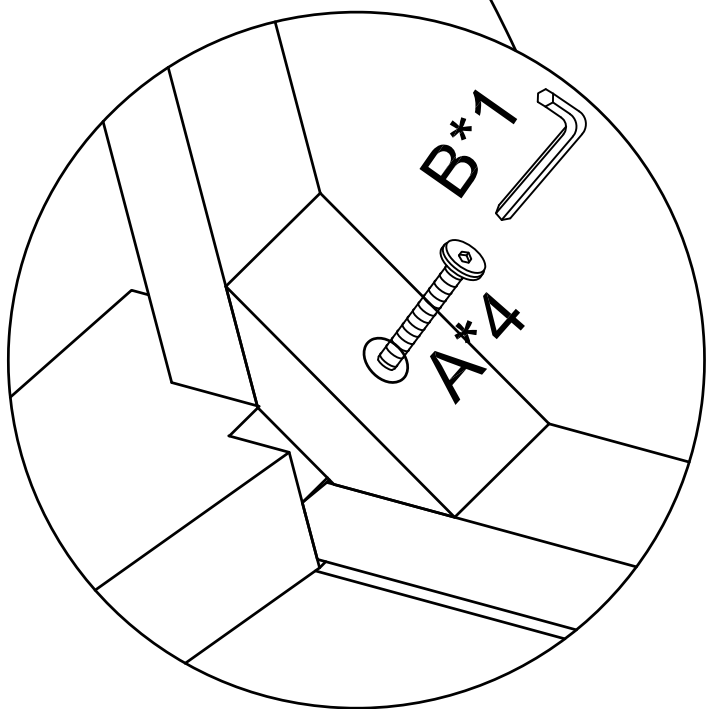
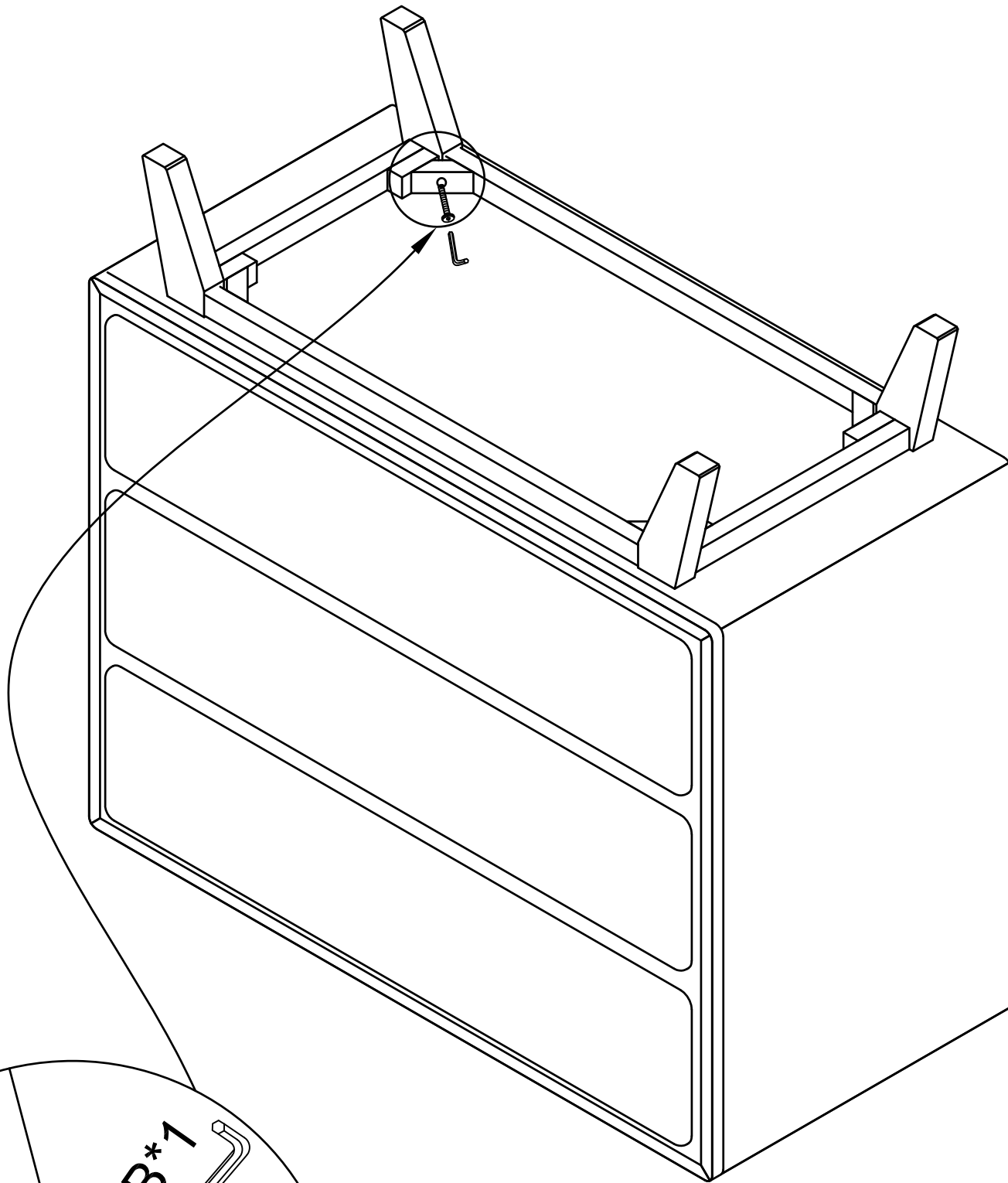


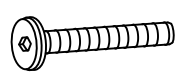

 20 MIN	
--------------------------------------------------------------------------------------------	-------------------------------------------------------------------------------------



A  Ø6*45mm X4	B  4*100 mm X1
-----------------------------------------------------------------------------------------------------------------	------------------------------------------------------------------------------------------------------------------

1



A  Ø6*45mm X4	B  4*100 mm X1
-----------------------------------------------------------------------------------------------------------------	------------------------------------------------------------------------------------------------------------------

②

