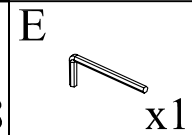
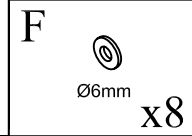
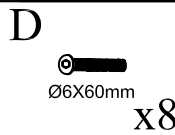
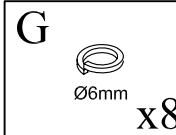
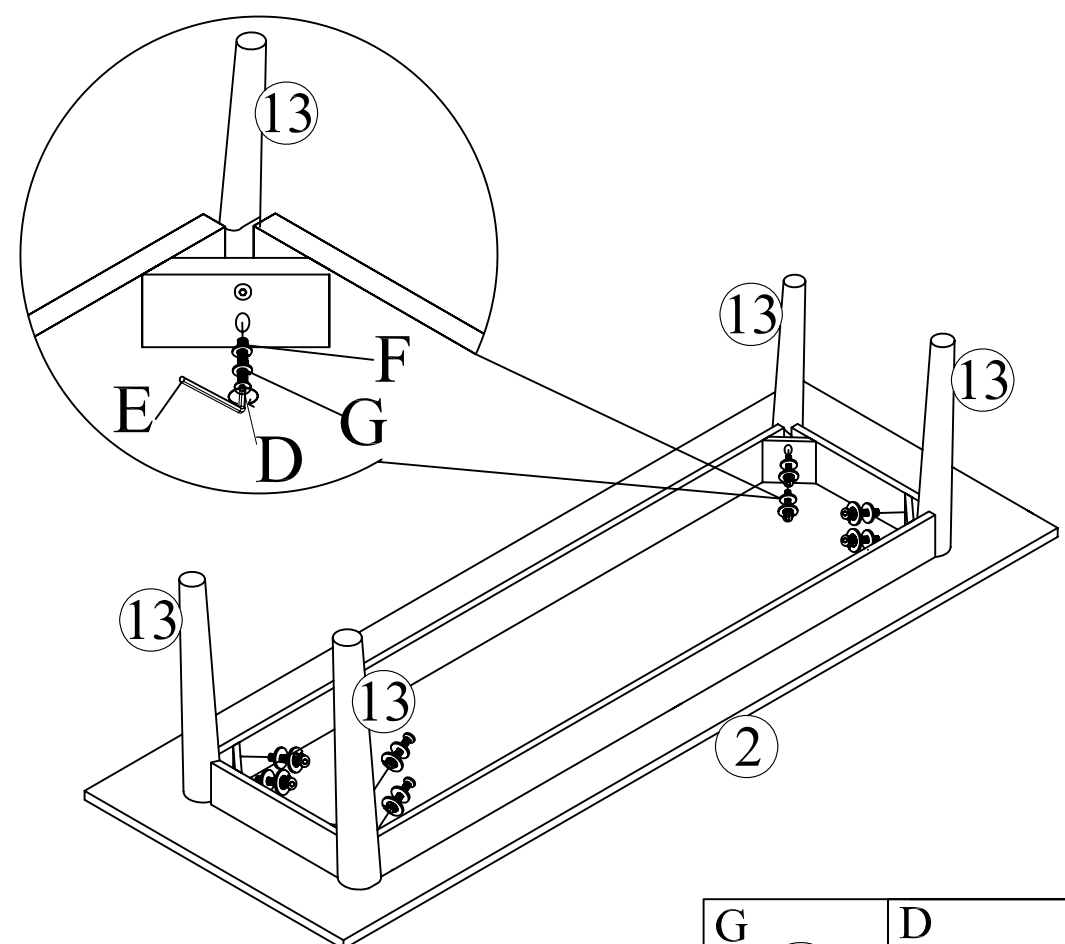
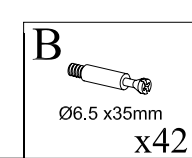
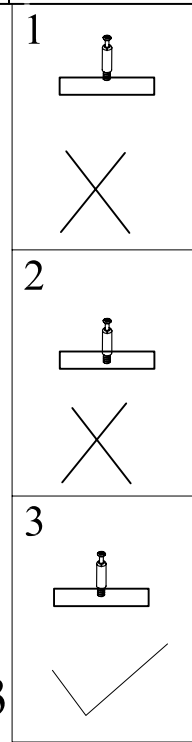
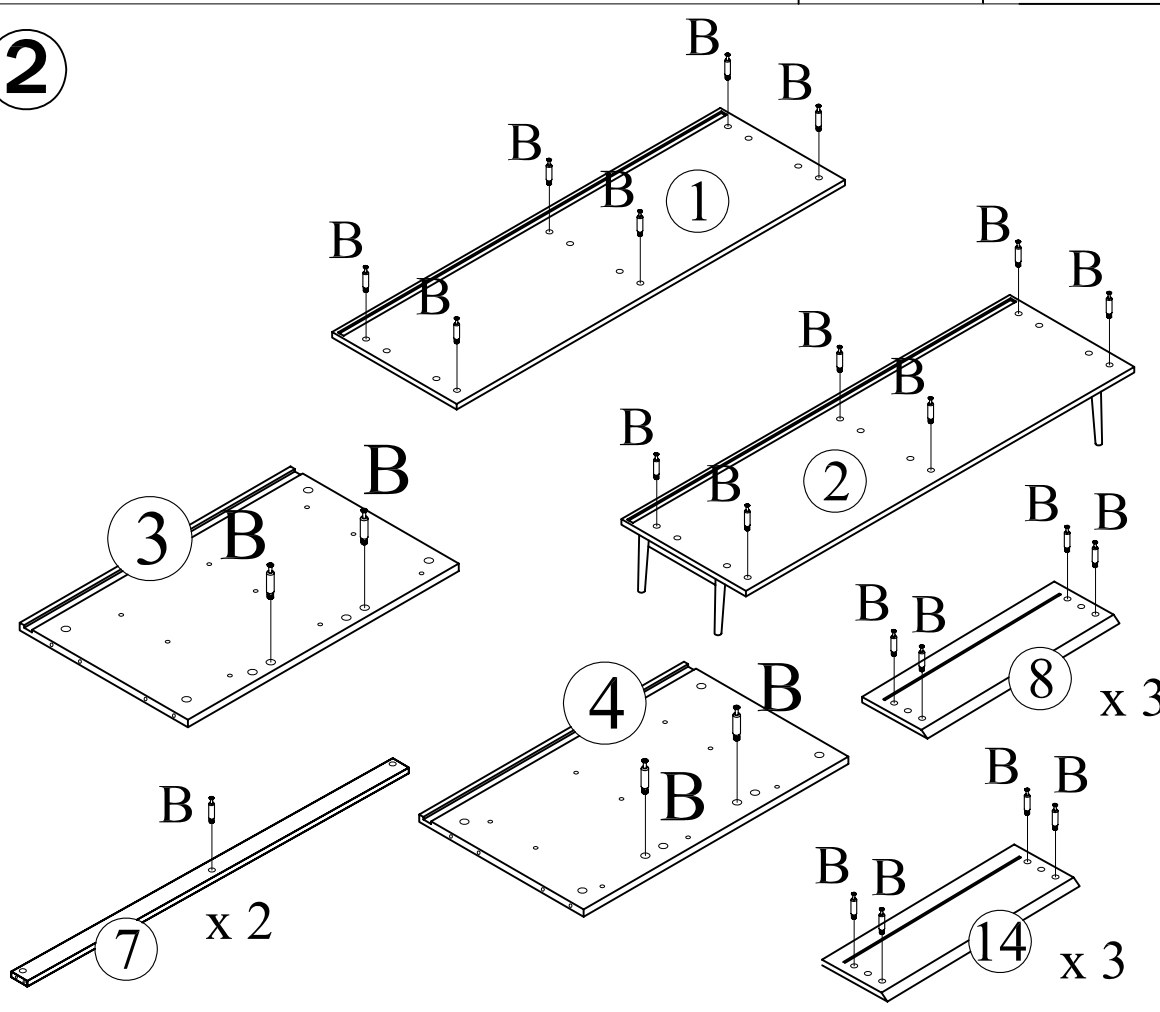


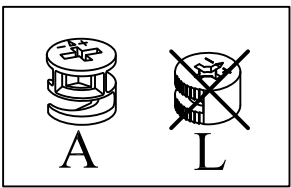
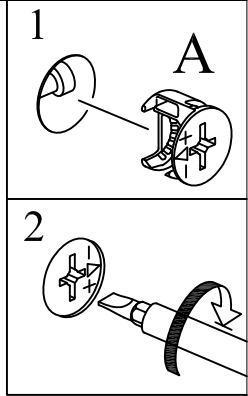
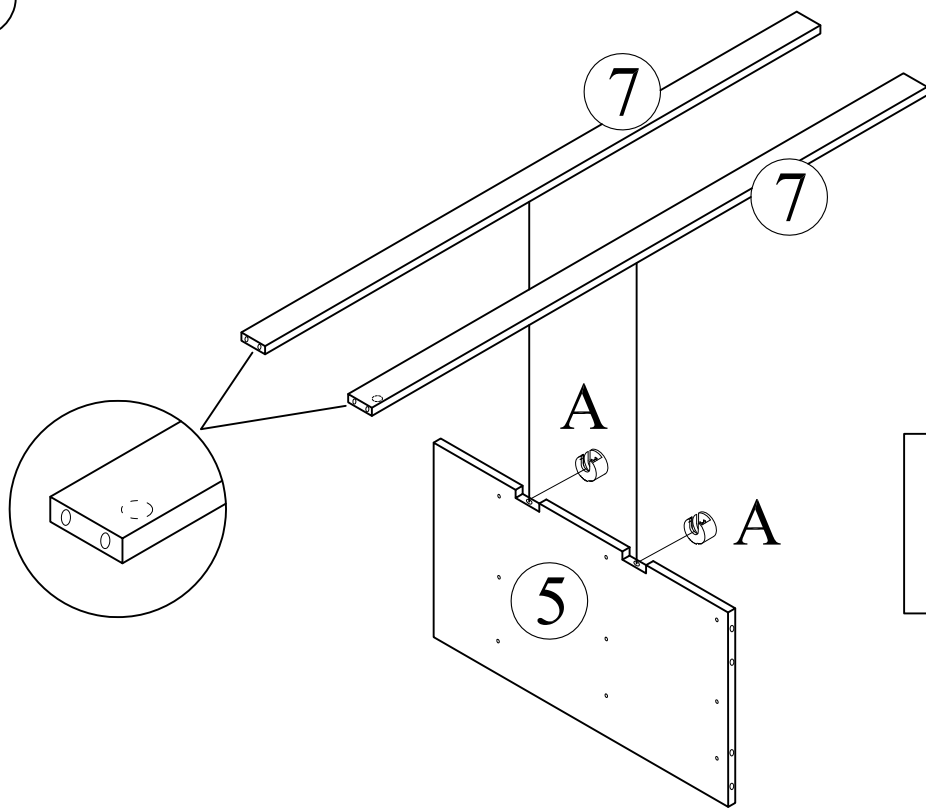
1




2

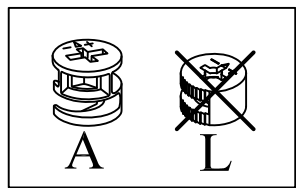
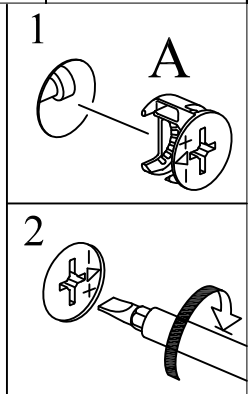
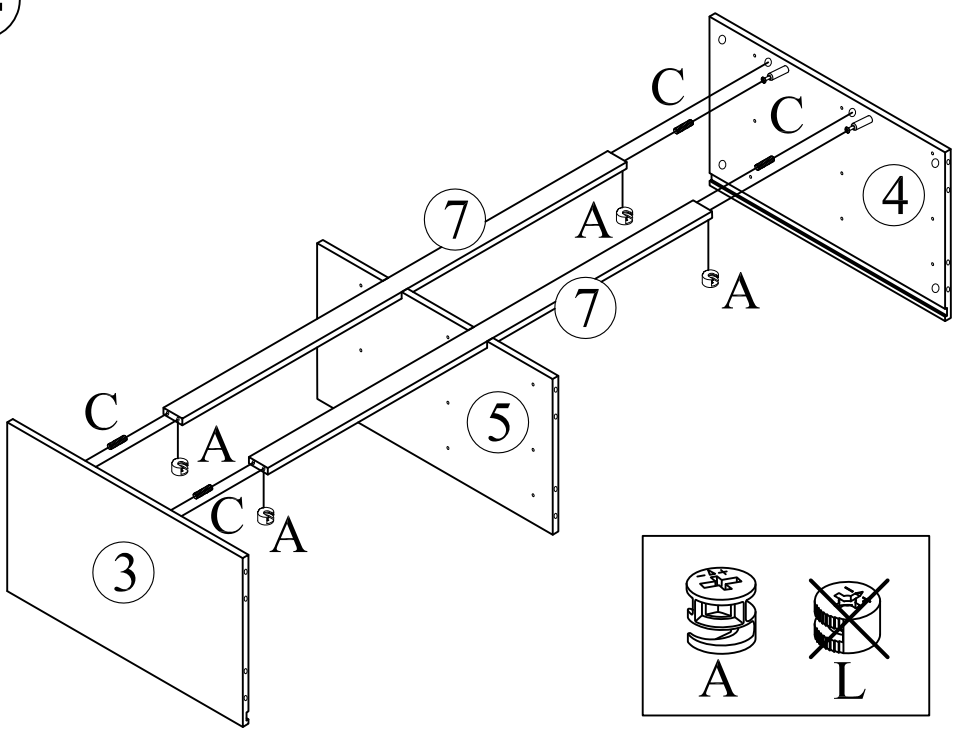


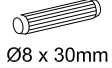
3




A 
 Ø15X12mm
 x2

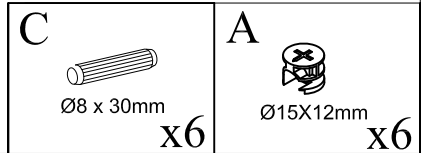
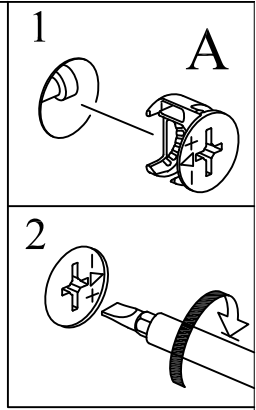
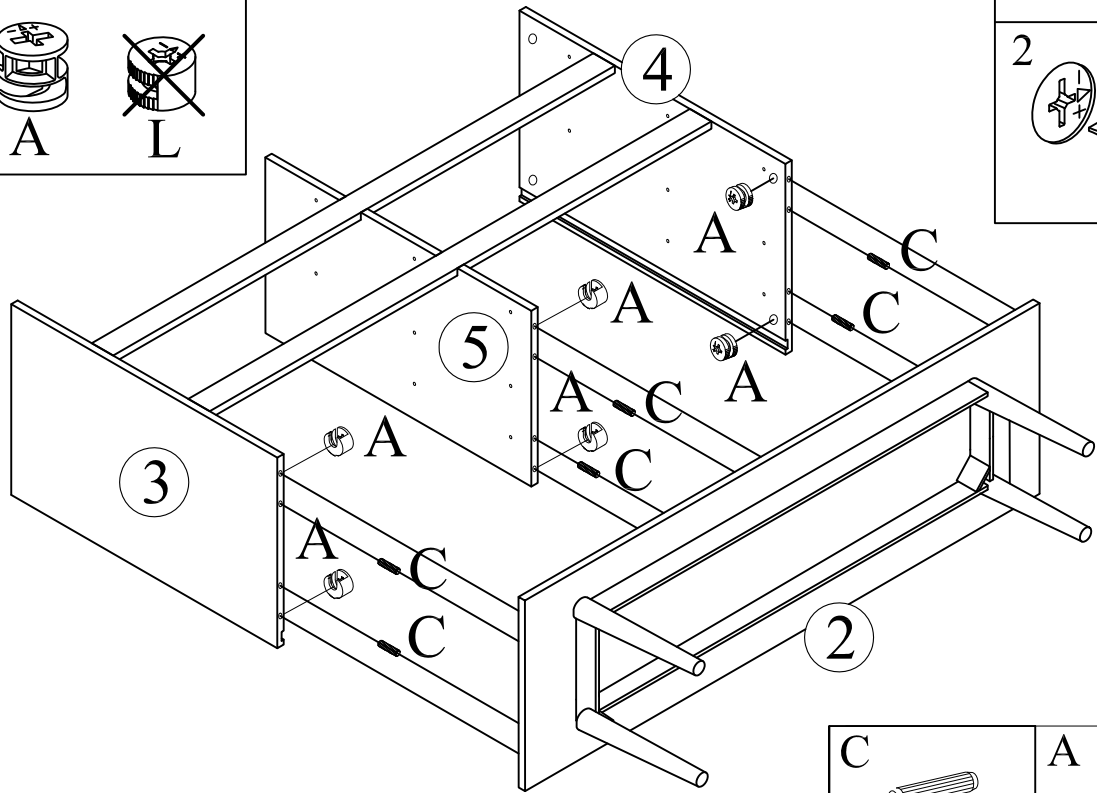
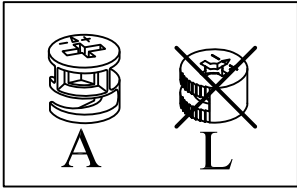
4



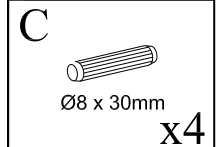
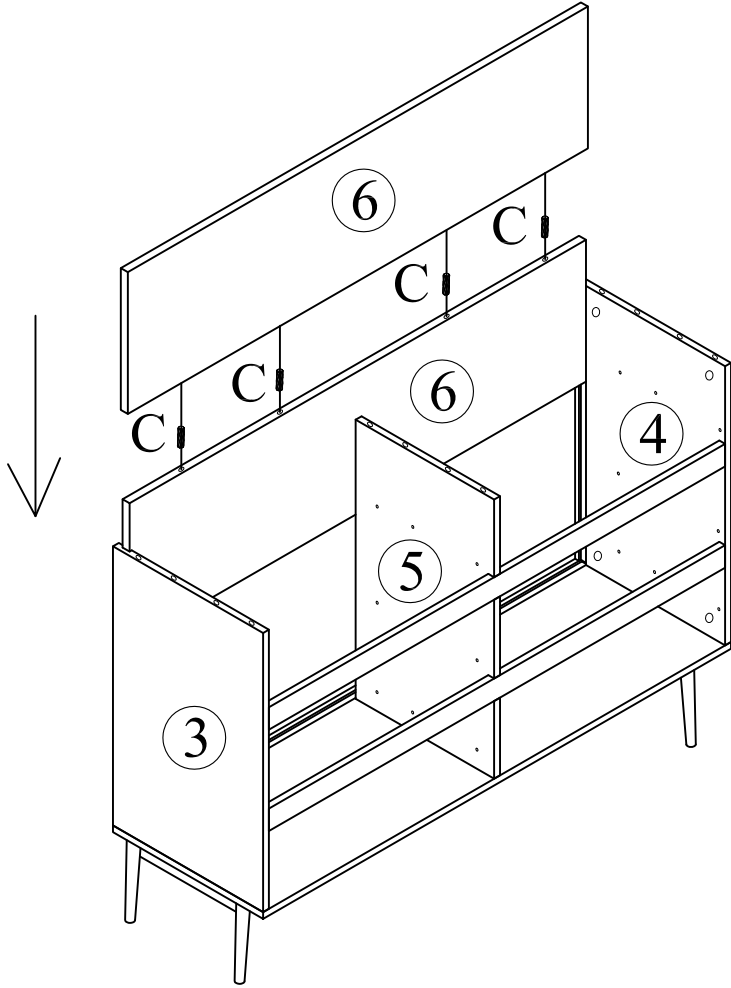
C 
 Ø8 x 30mm
 x4

A 
 Ø15X12mm
 x4

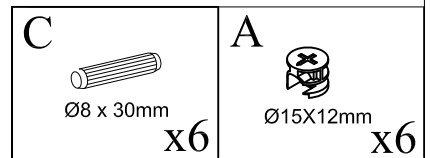
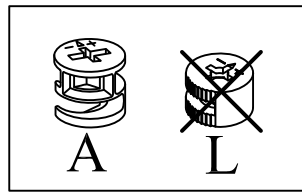
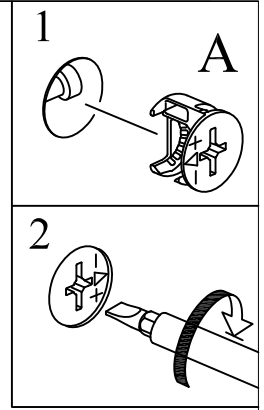
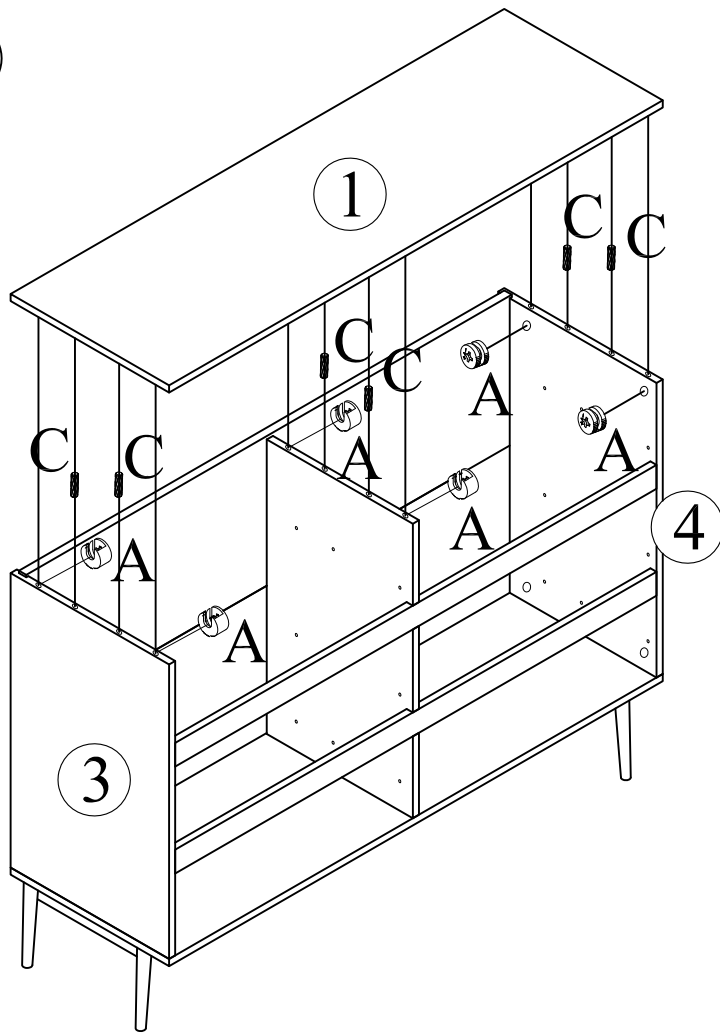
5



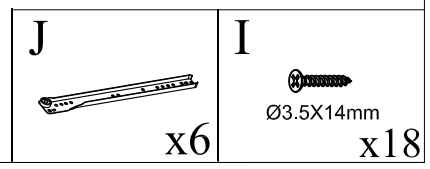
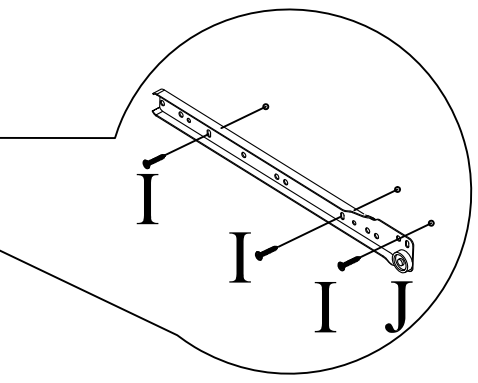
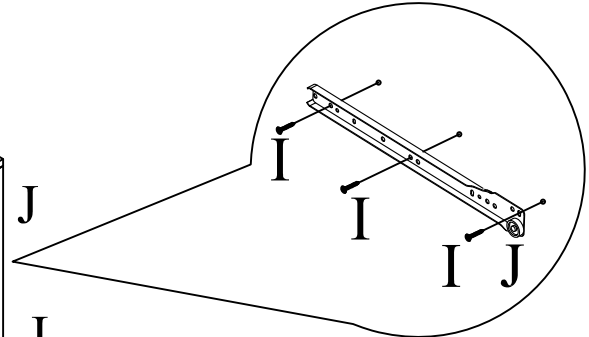
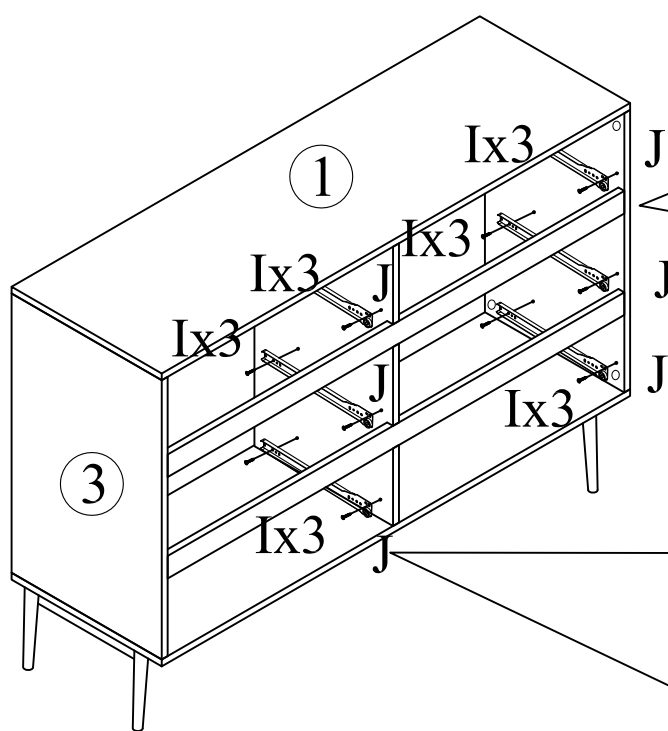
6



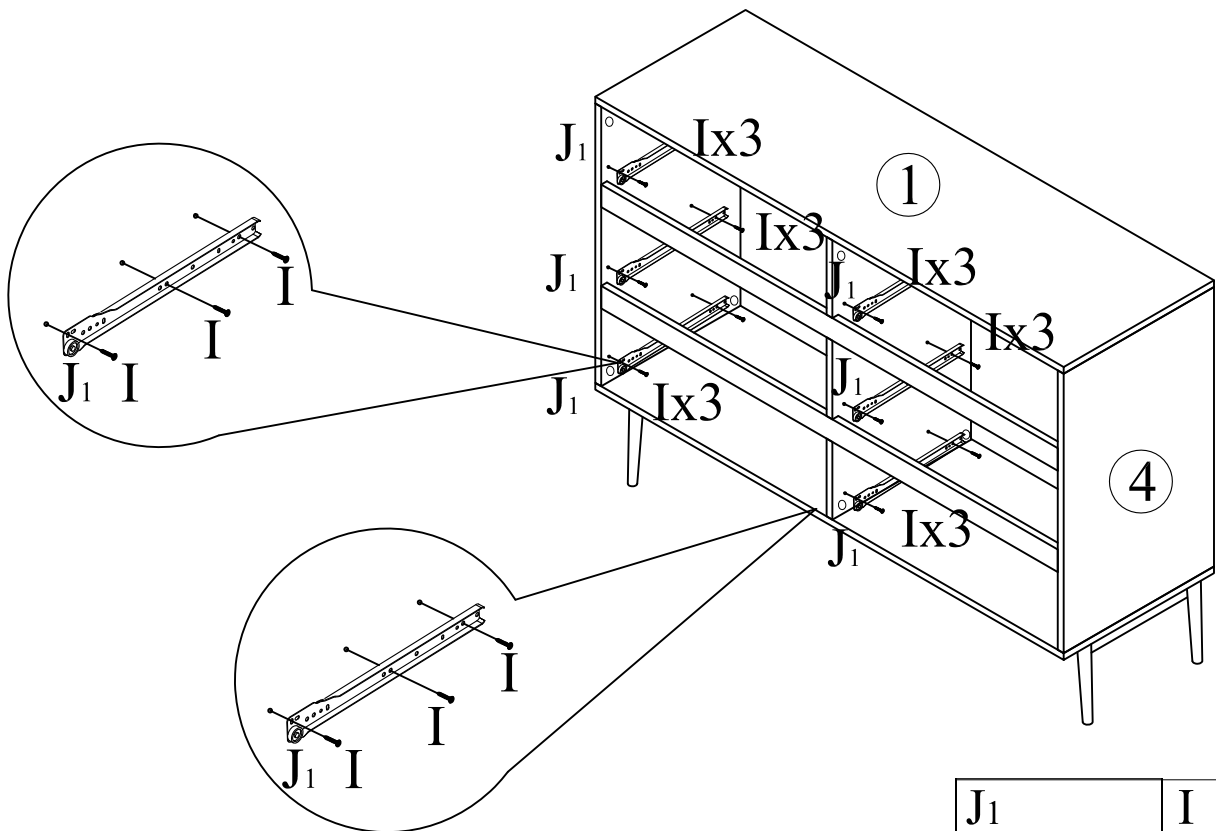
7



8

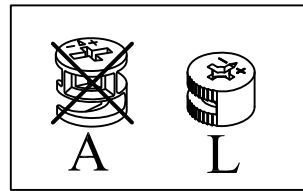
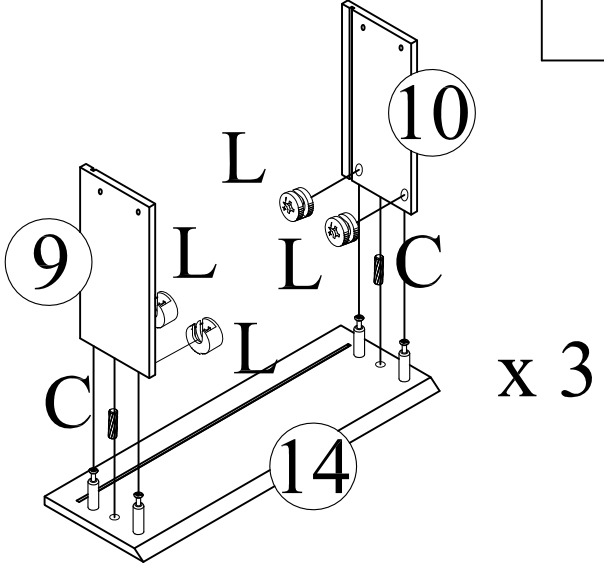
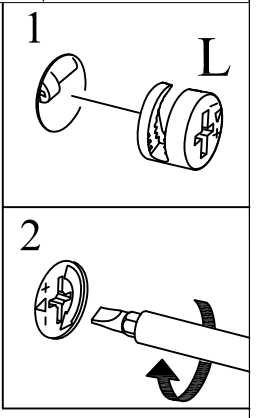
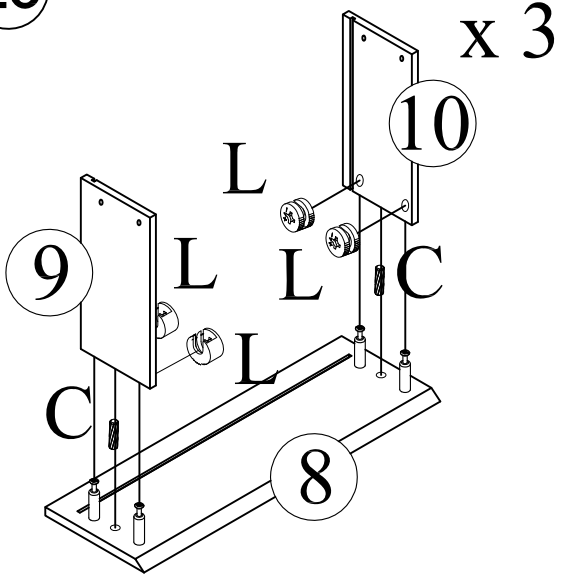


9



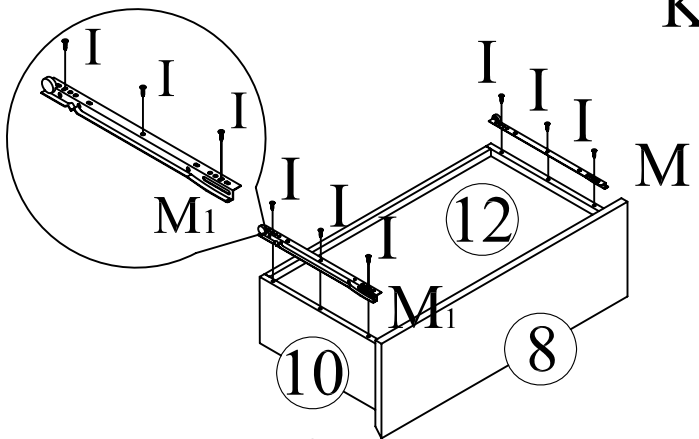
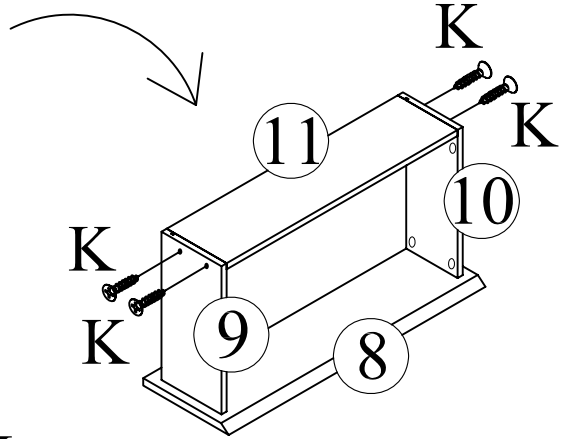
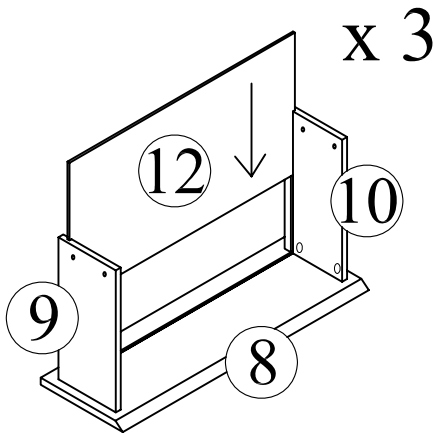
<p>J₁</p> <p>x6</p>	<p>I</p> <p>Ø3.5X14mm x18</p>
--------------------------------	-----------------------------------

10



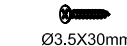
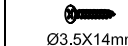


<p>C</p> <p>Ø8 x 30mm x12</p>	<p>L</p> <p>Ø15X9mm x24</p>
-----------------------------------	---------------------------------

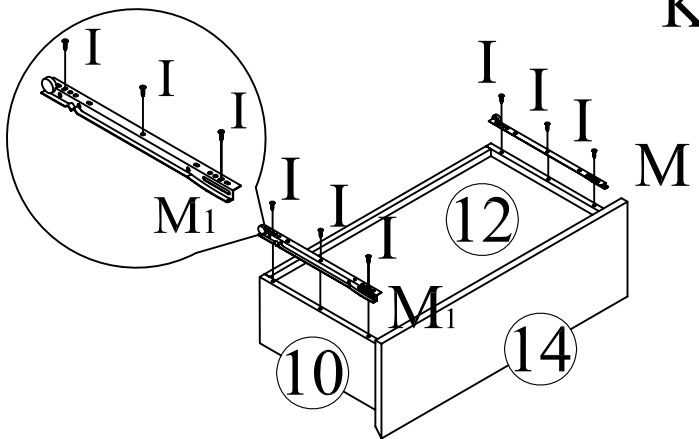
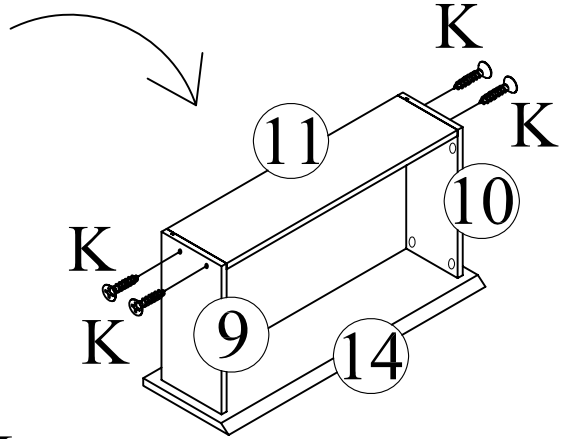
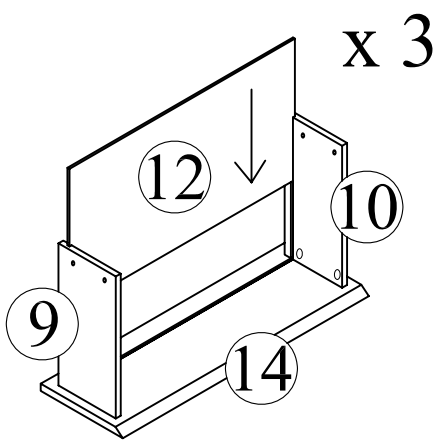
11





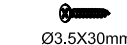
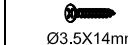
x 3

M ₁	M	K	I
			
x3	x3	Ø3.5X30mm x12	Ø3.5X14mm x18

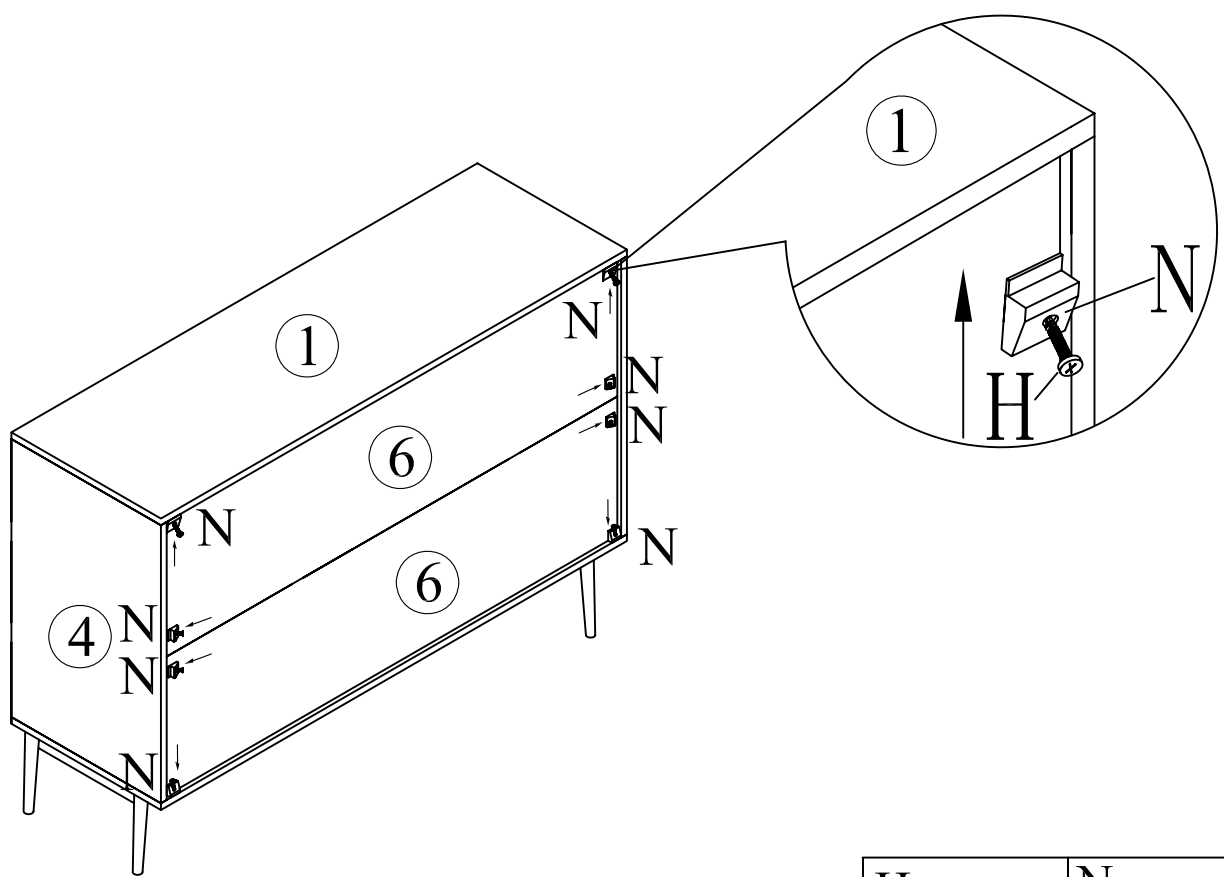
12





x 3

M ₁	M	K	I
			
x3	x3	Ø3.5X30mm x12	Ø3.5X14mm x18

13



H  Ø3X20mm x8	N  x8
---	---

14

