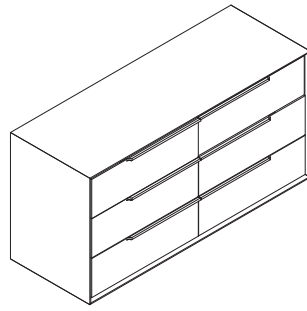




15 MIN

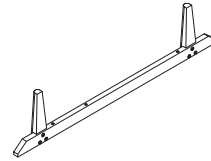


1



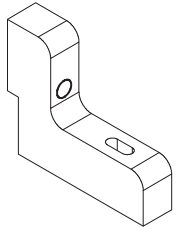
X1

2



X2

3



X4

A Ø 6 x40mm



X6

B Ø 6 x45mm



X8

C Key 4mm

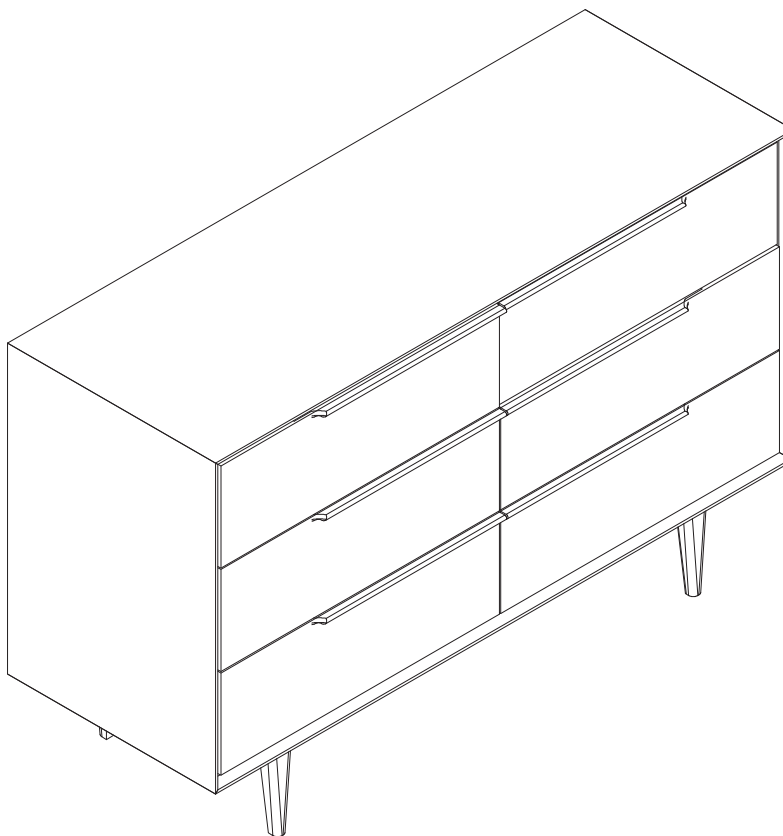


X1

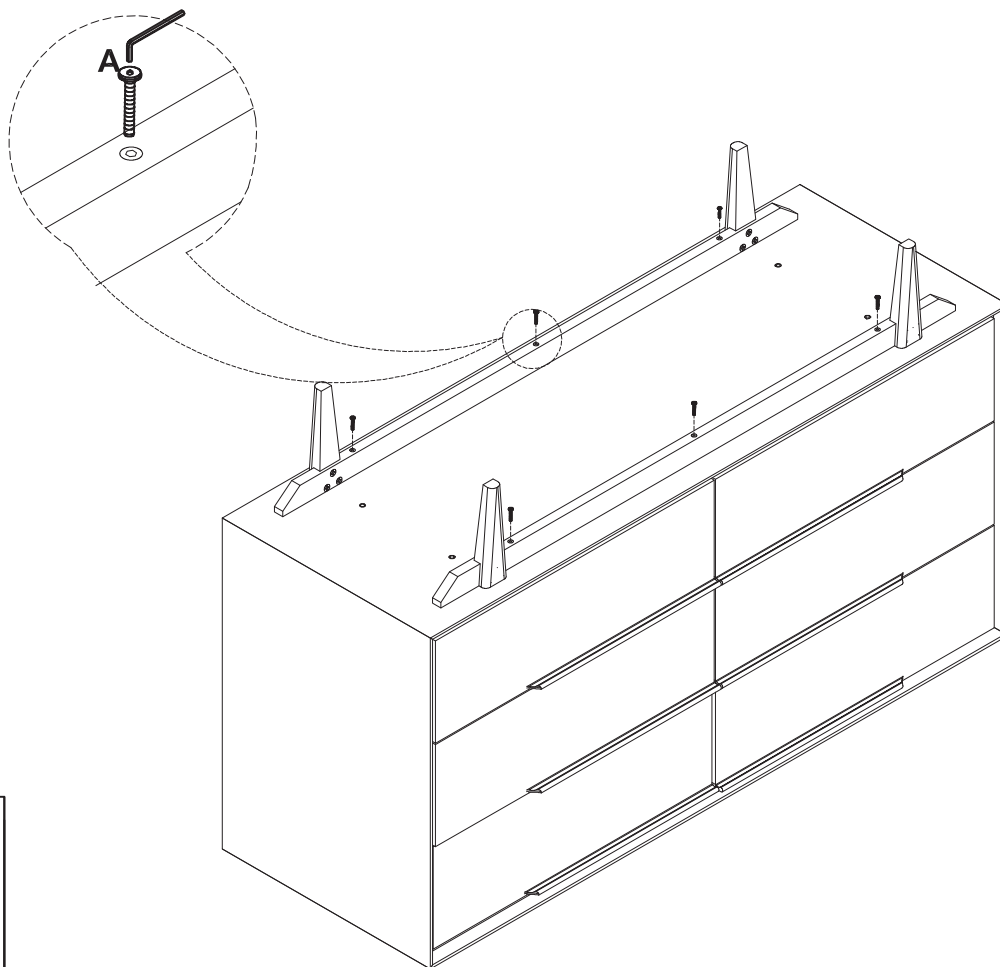
D Ø8 *30



X4



step 1

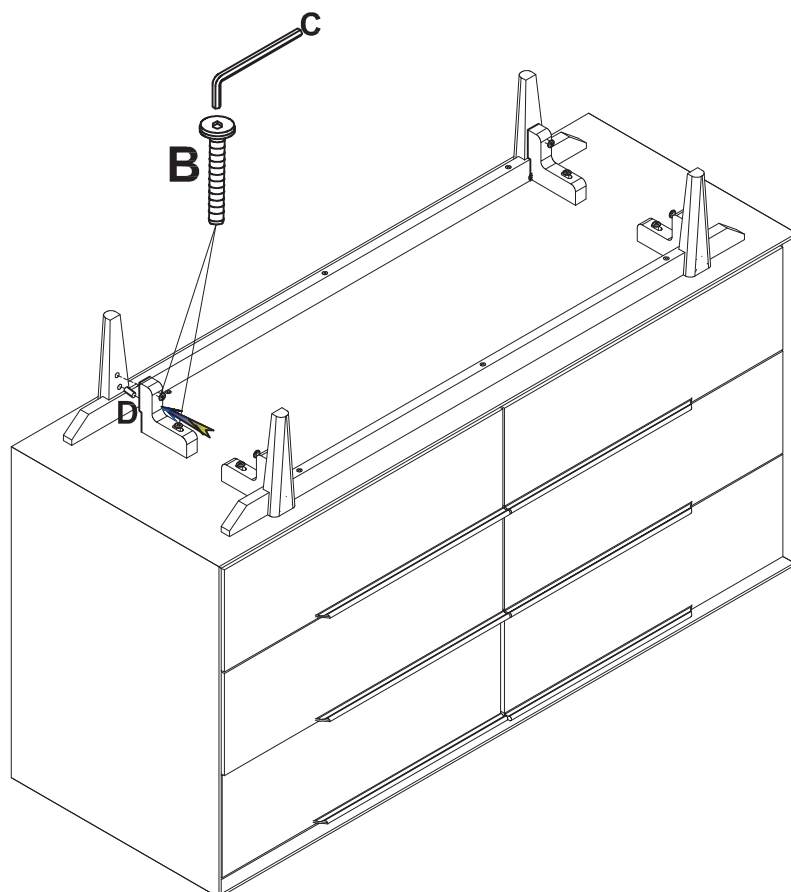


A Ø 6 x40mm



X6

step 2



B Ø 6 x45mm



X8

D Ø8 *30



X4

step 3

