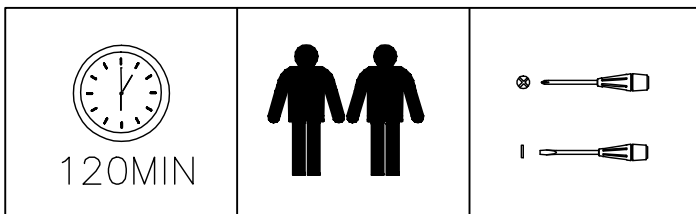
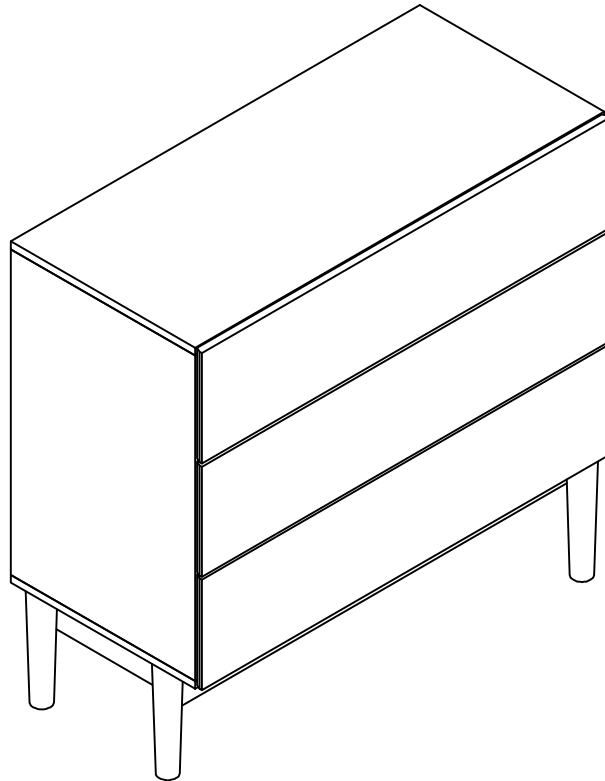
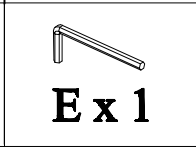
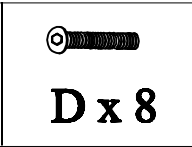
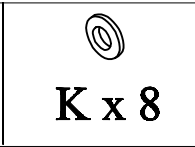
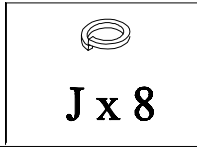
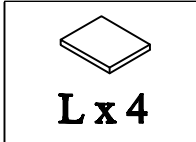
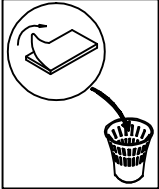
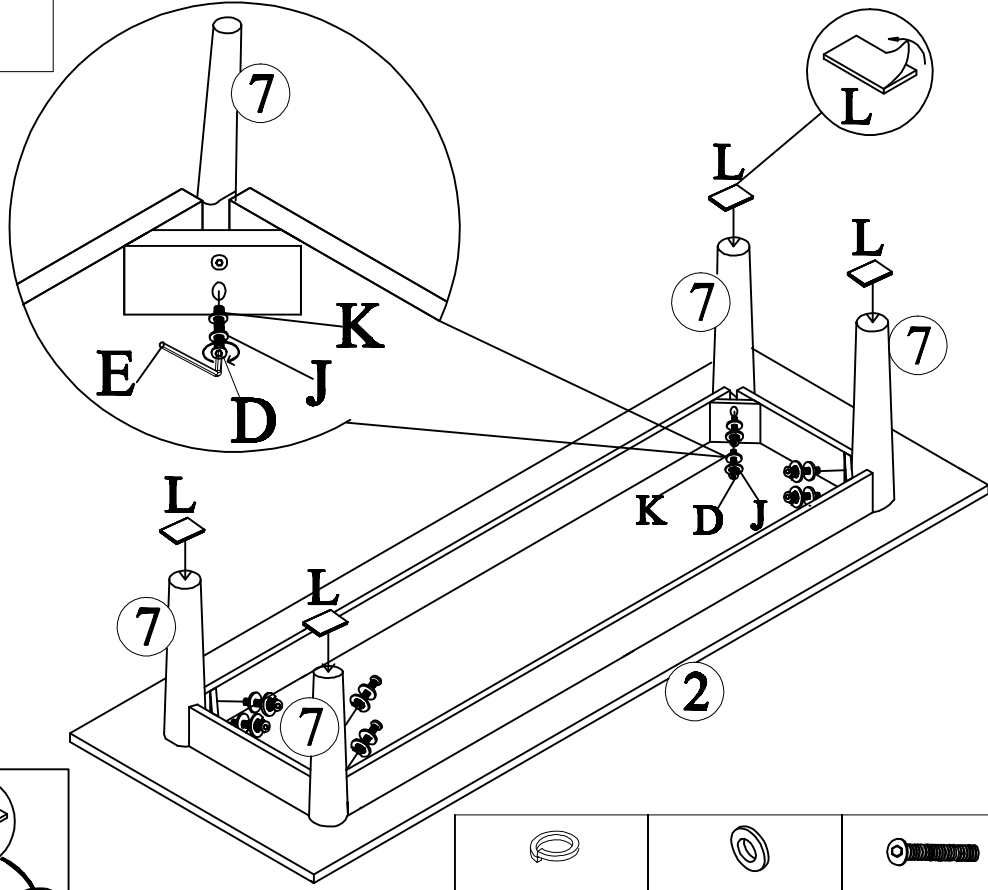


ARTIC

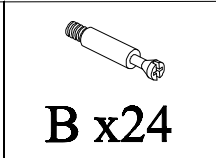
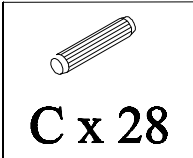
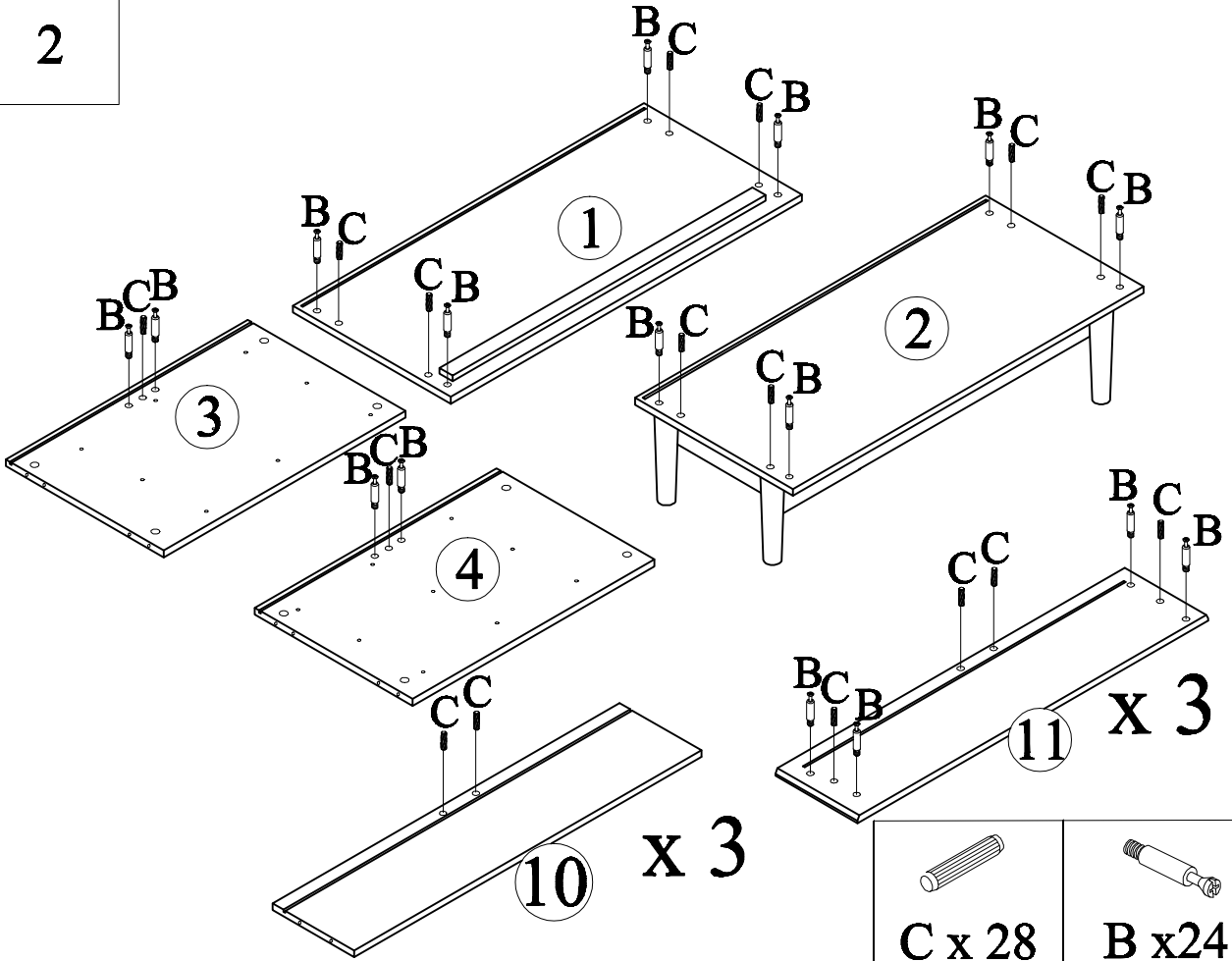
146 752/146 748



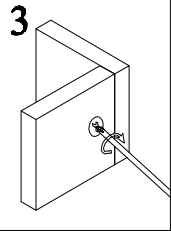
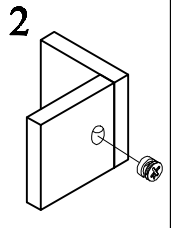
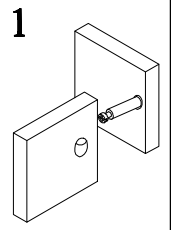
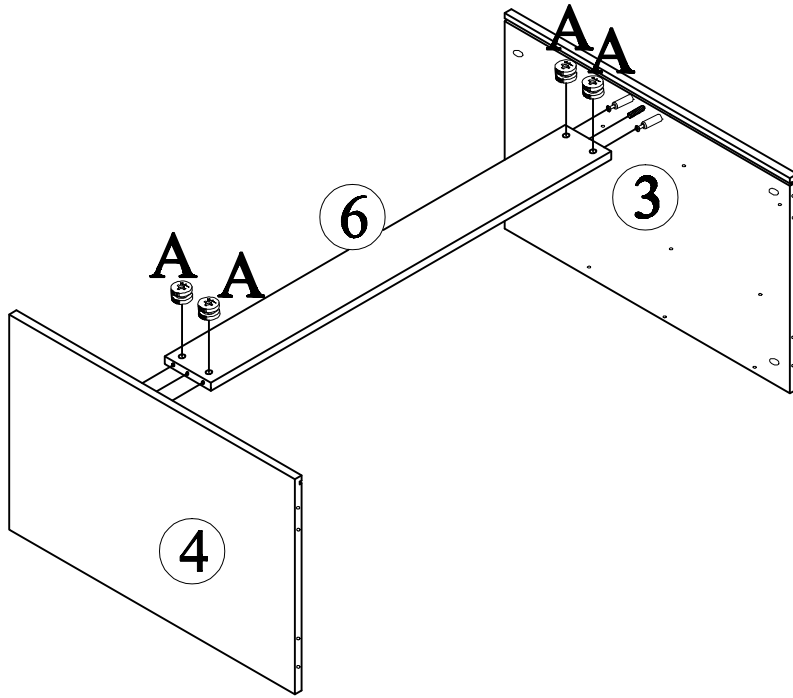
1



2



3



A x 4

4

