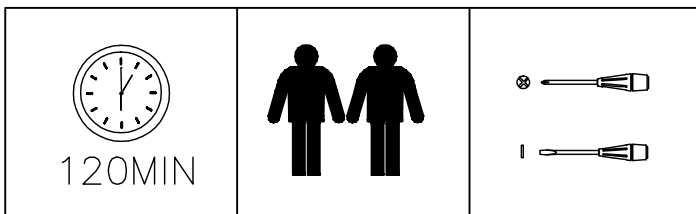
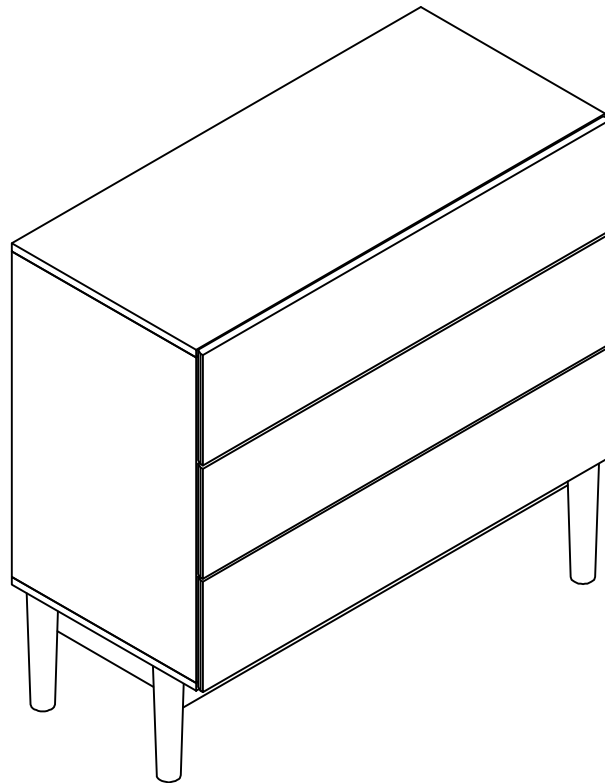
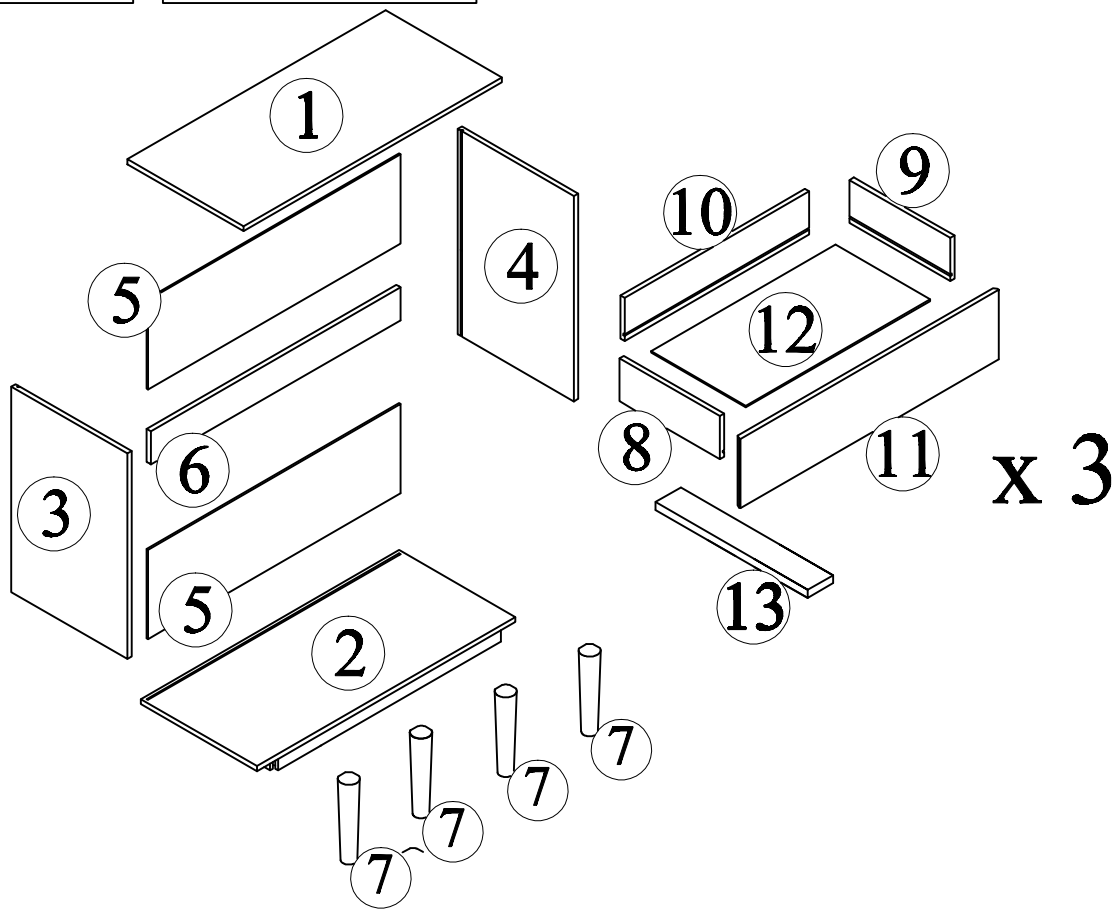
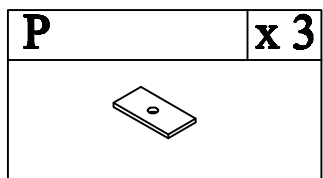
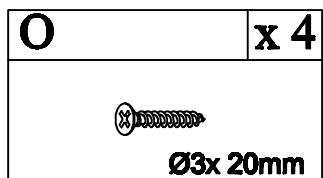
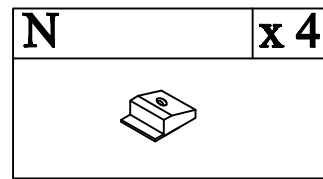
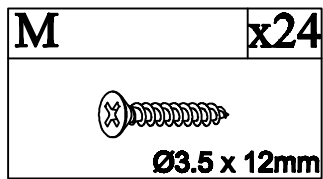
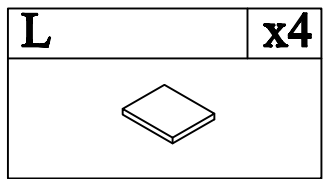
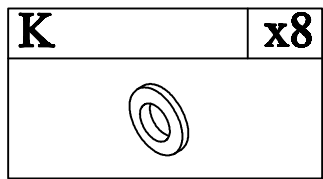
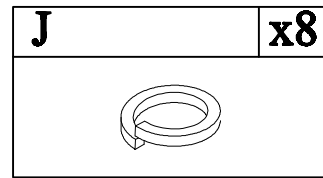
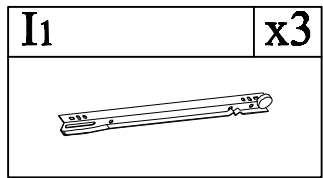
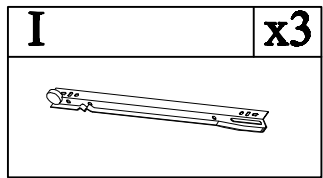
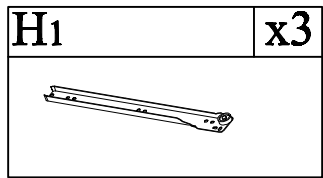
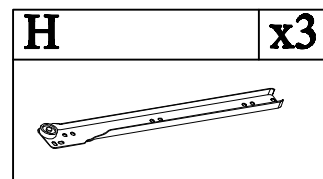
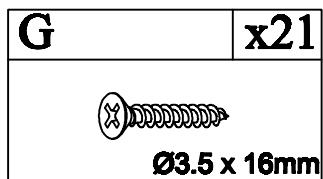
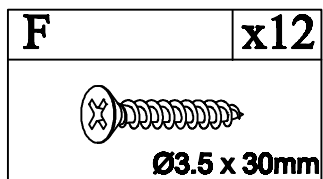
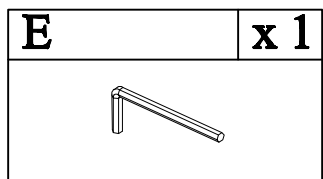
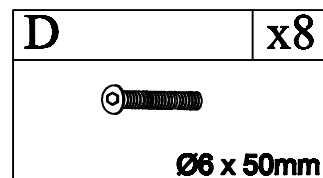
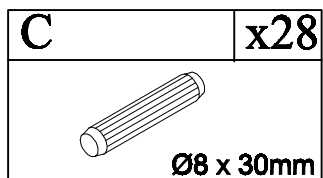
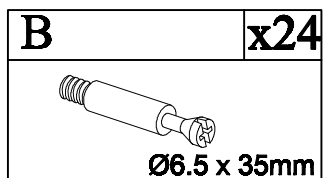
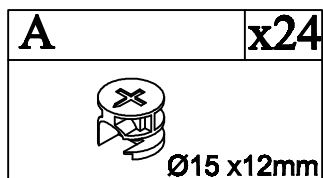


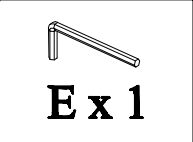
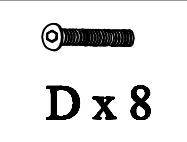
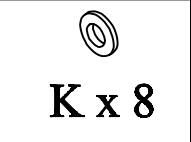
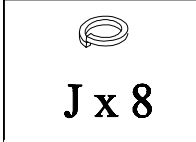
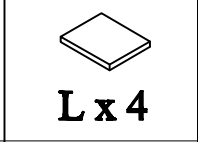
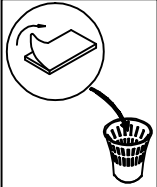
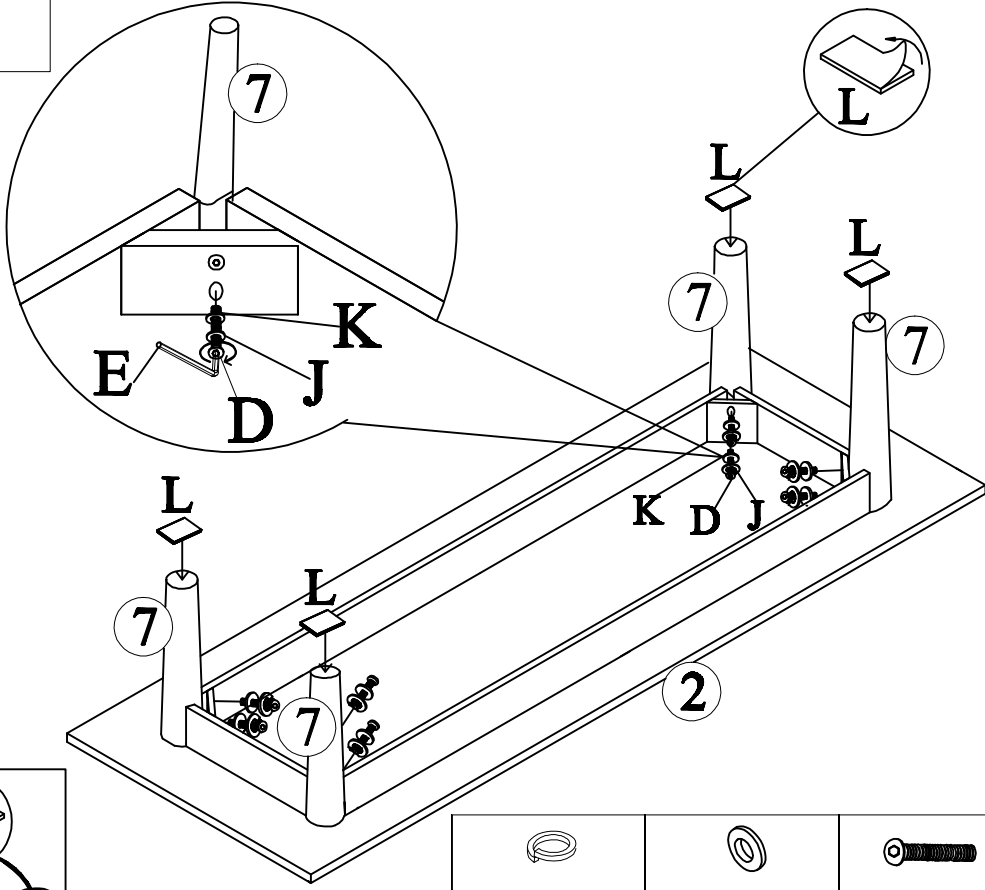
ARTIC

146 752/146 748

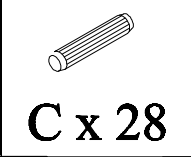
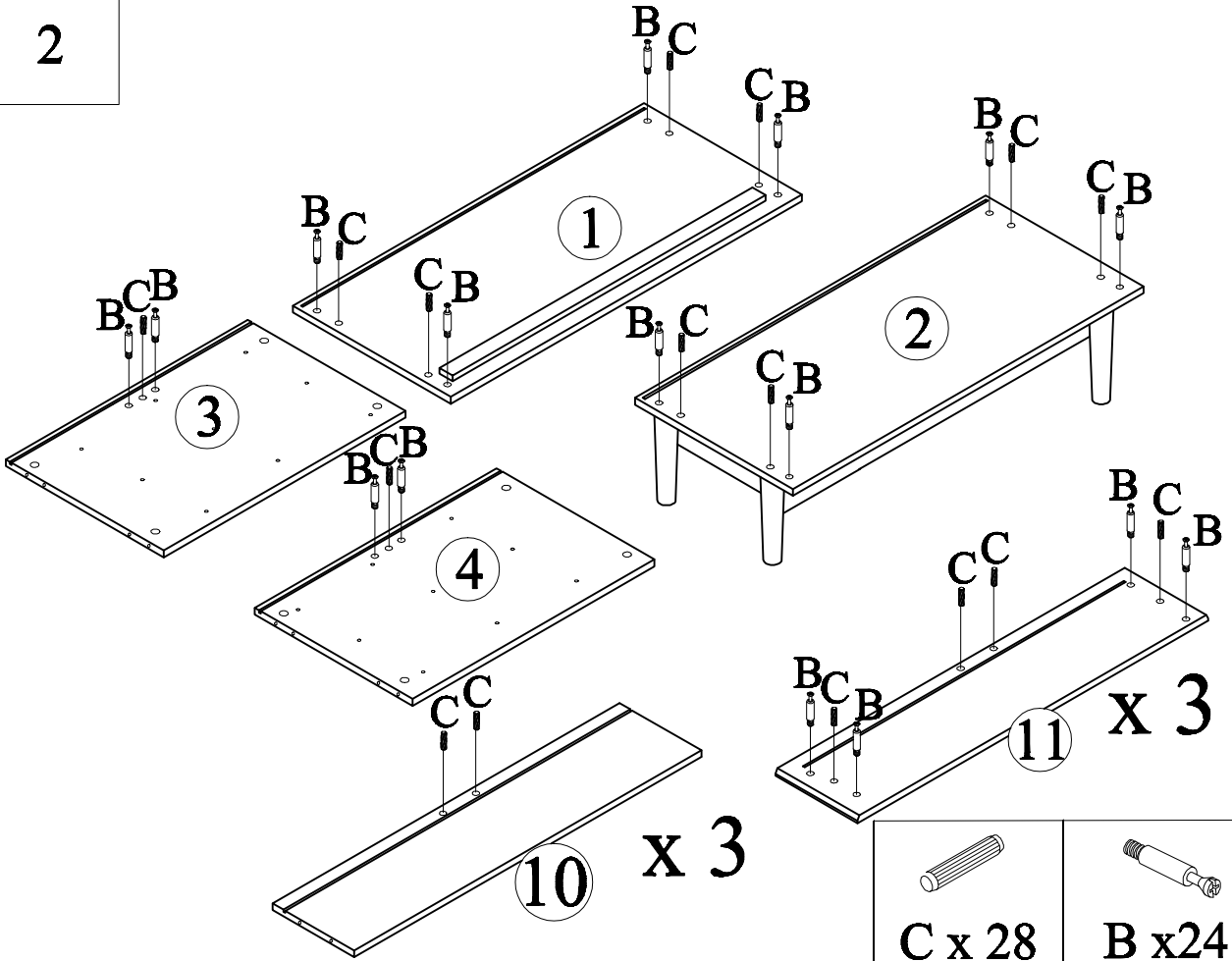




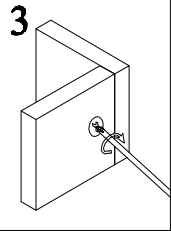
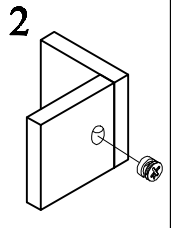
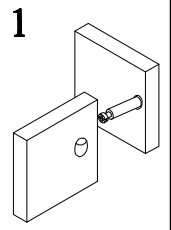
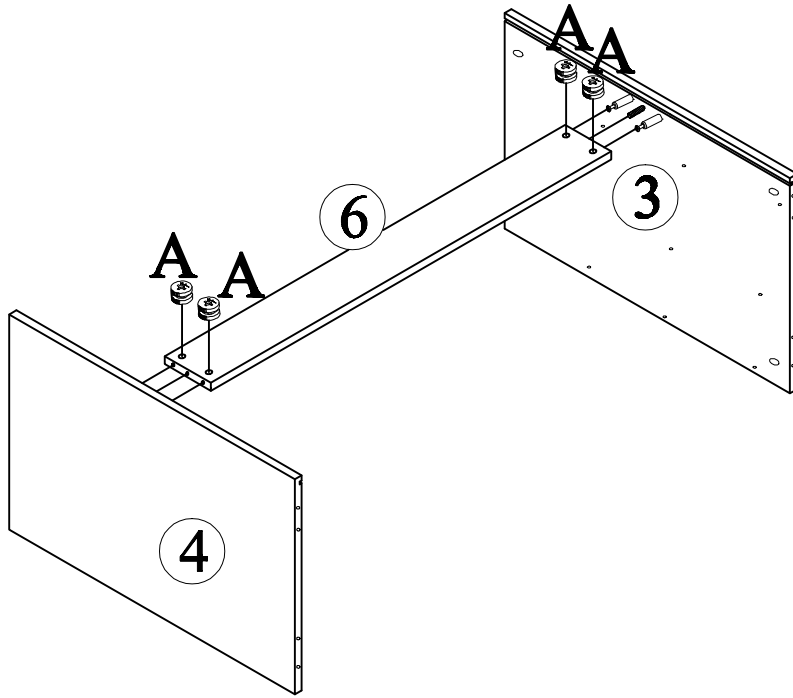
1



2

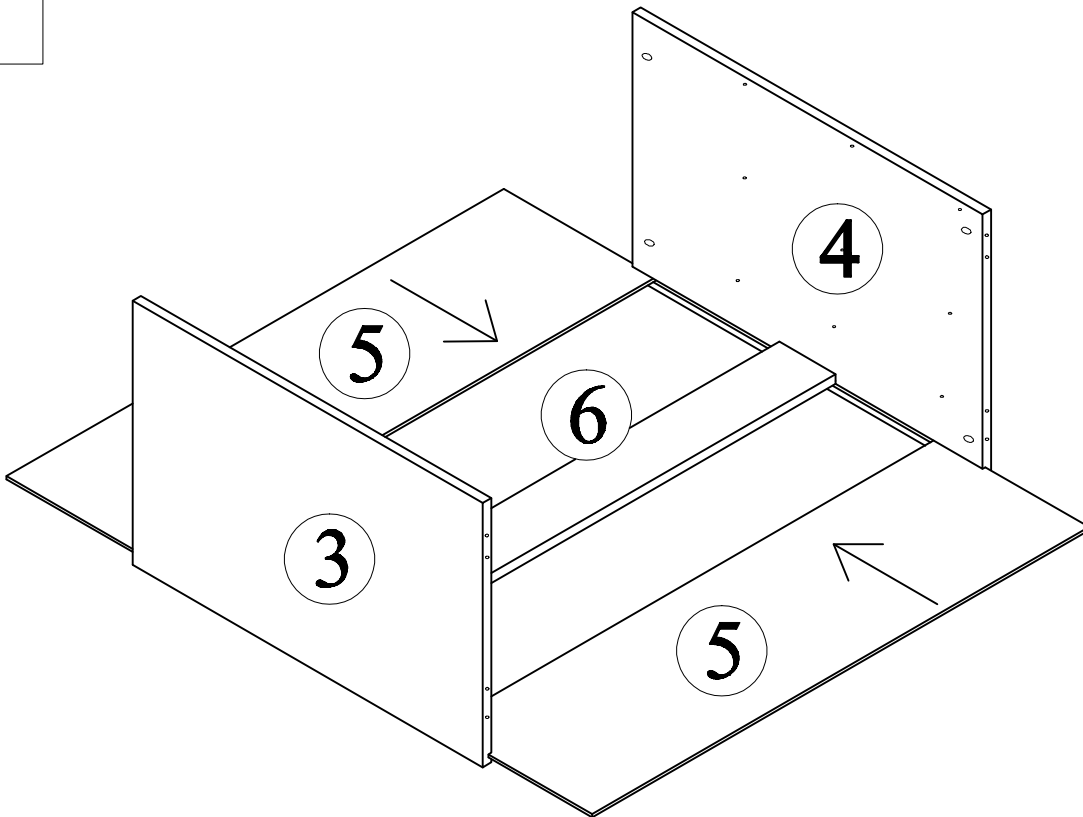


3

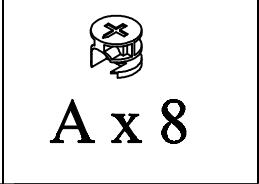
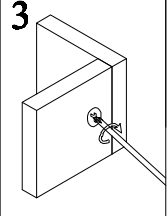
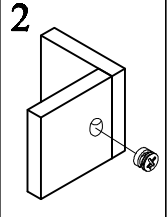
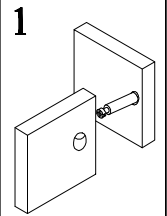
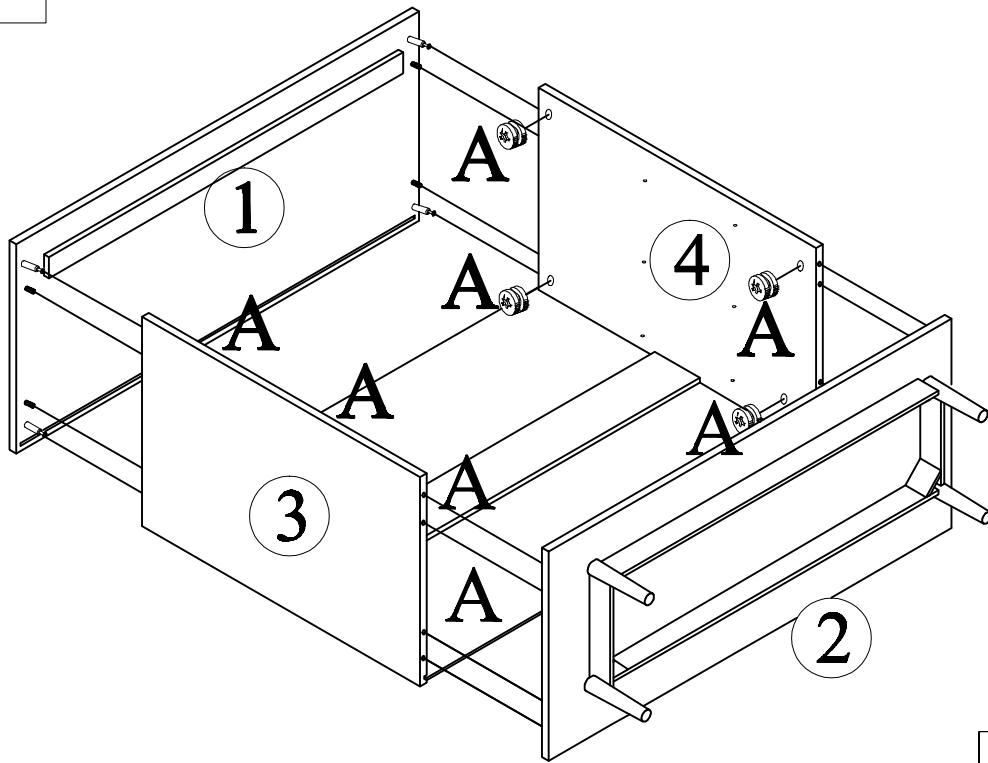


A x 4

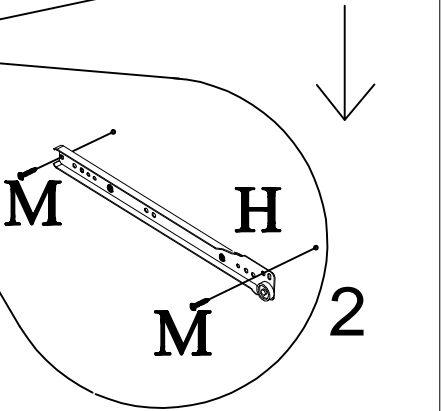
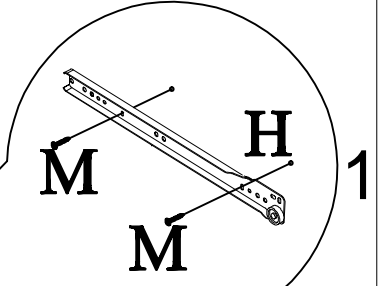
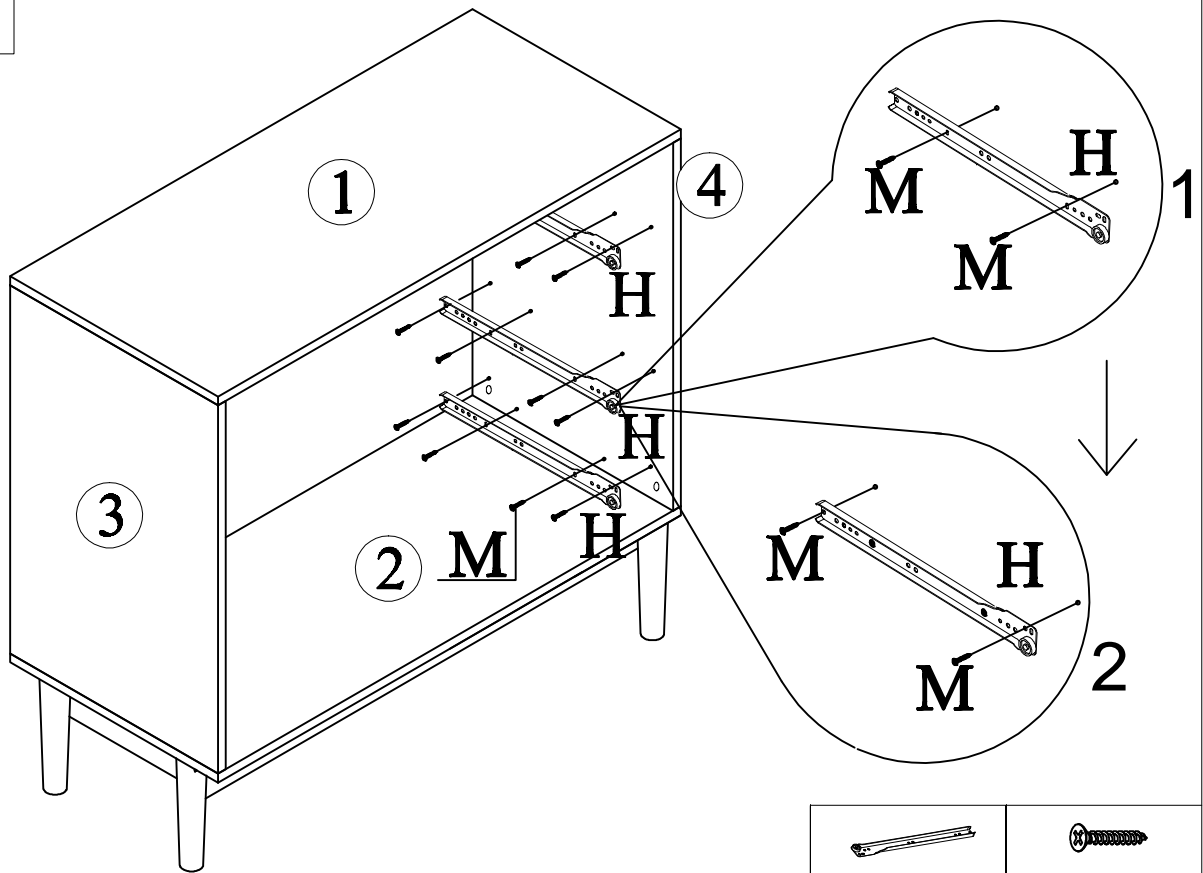
4



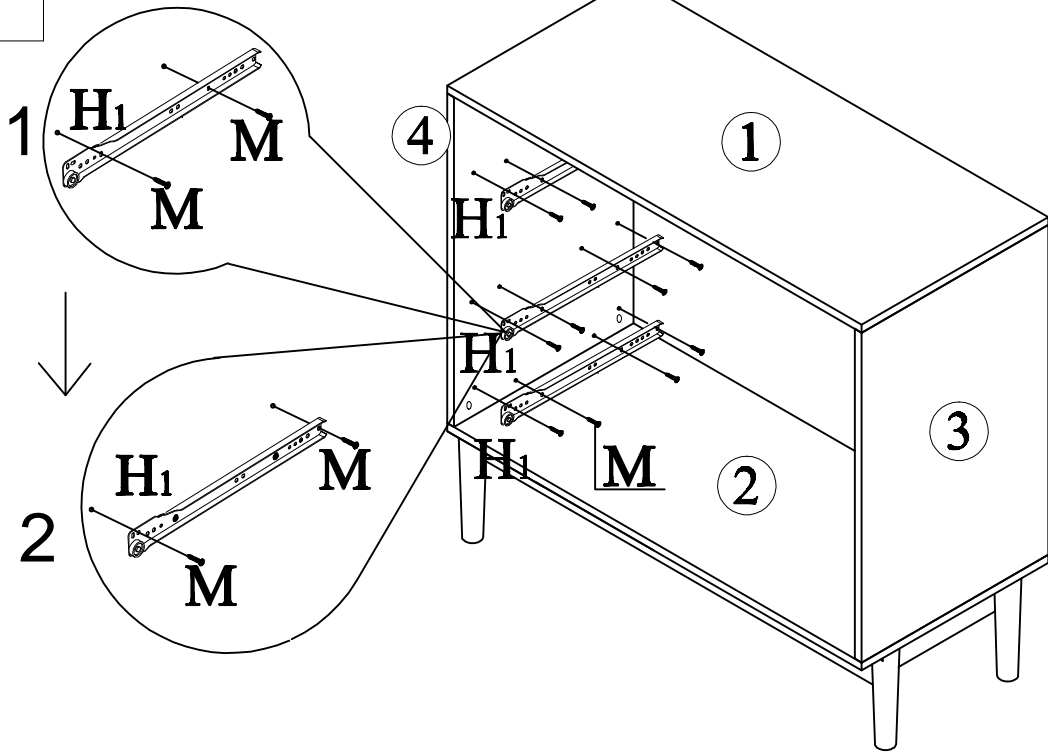
5



6

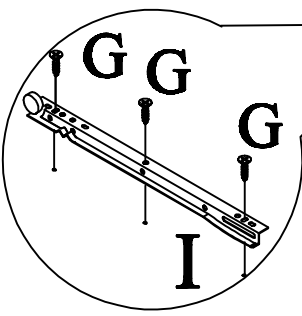
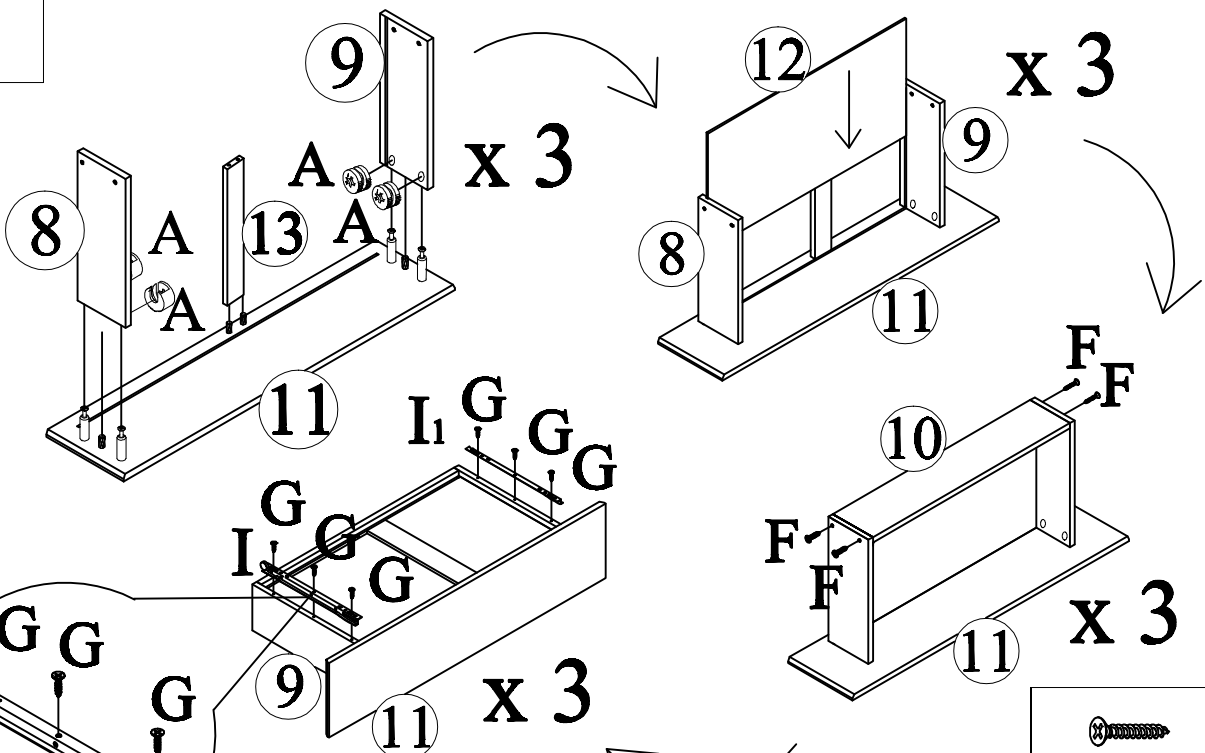


7



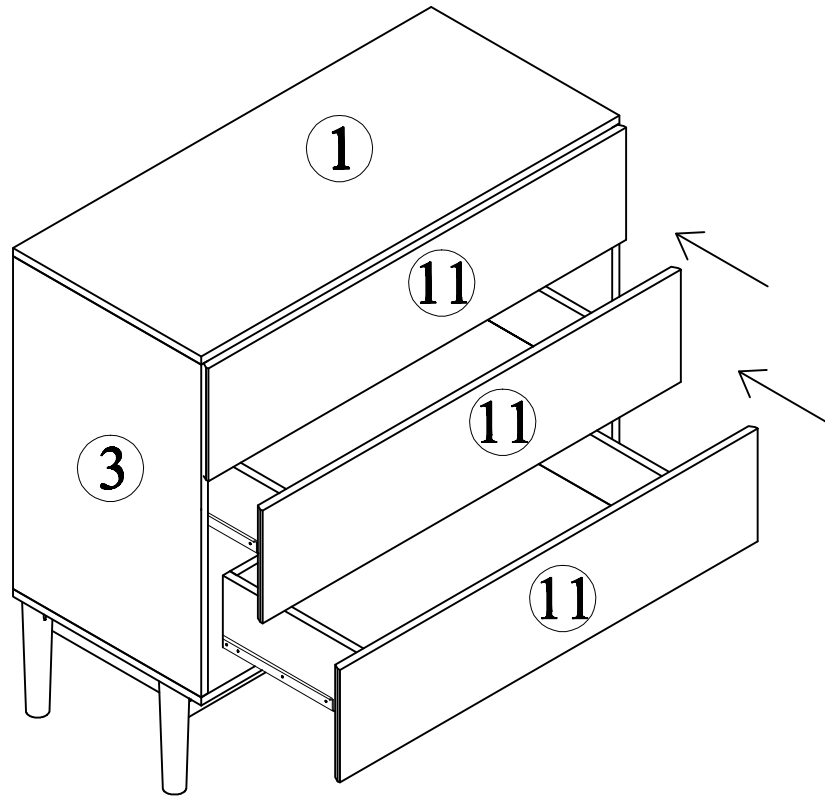
H1 x 3	M x 12

8

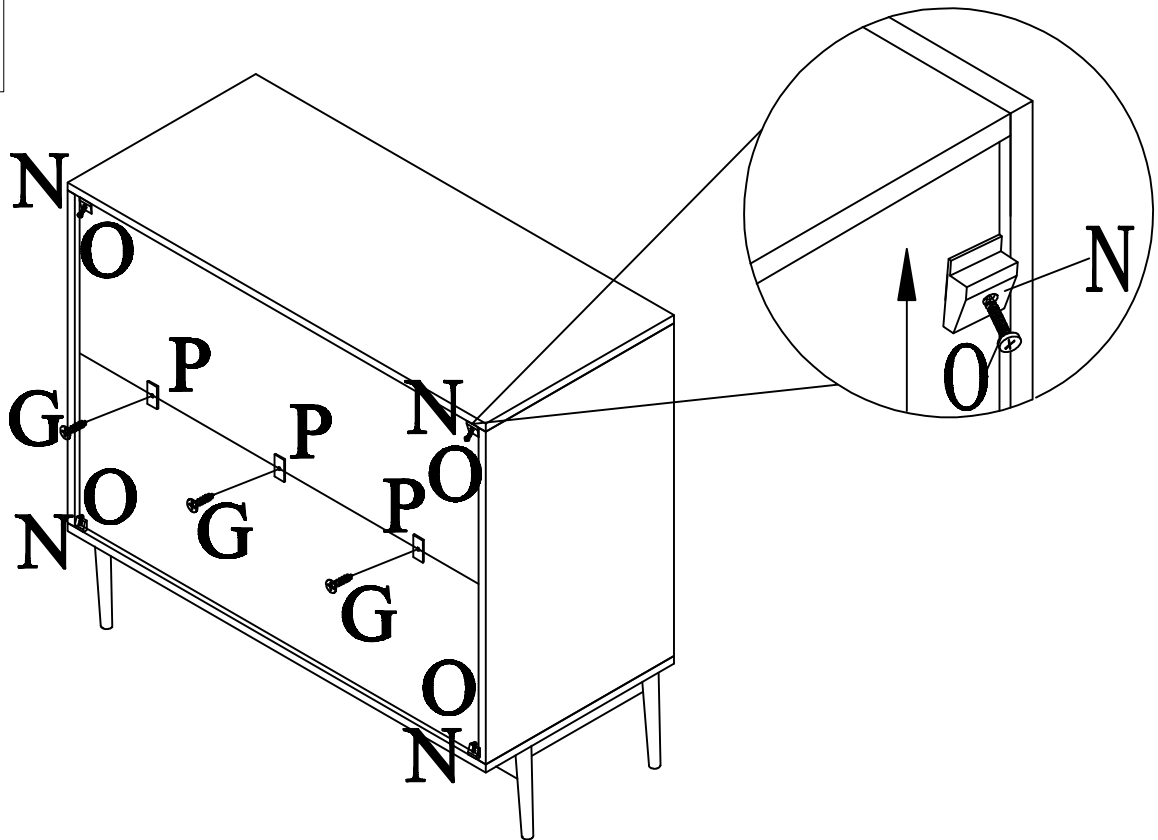


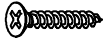



I x 3	I1 x 3	G x 18	F x 12
			A x 12

9



10



			
G x 3	O x 4	P x 3	N x 4