
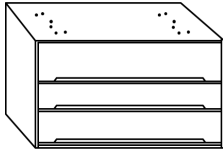
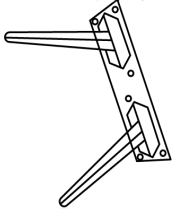
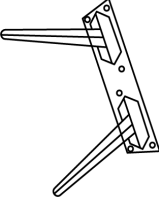



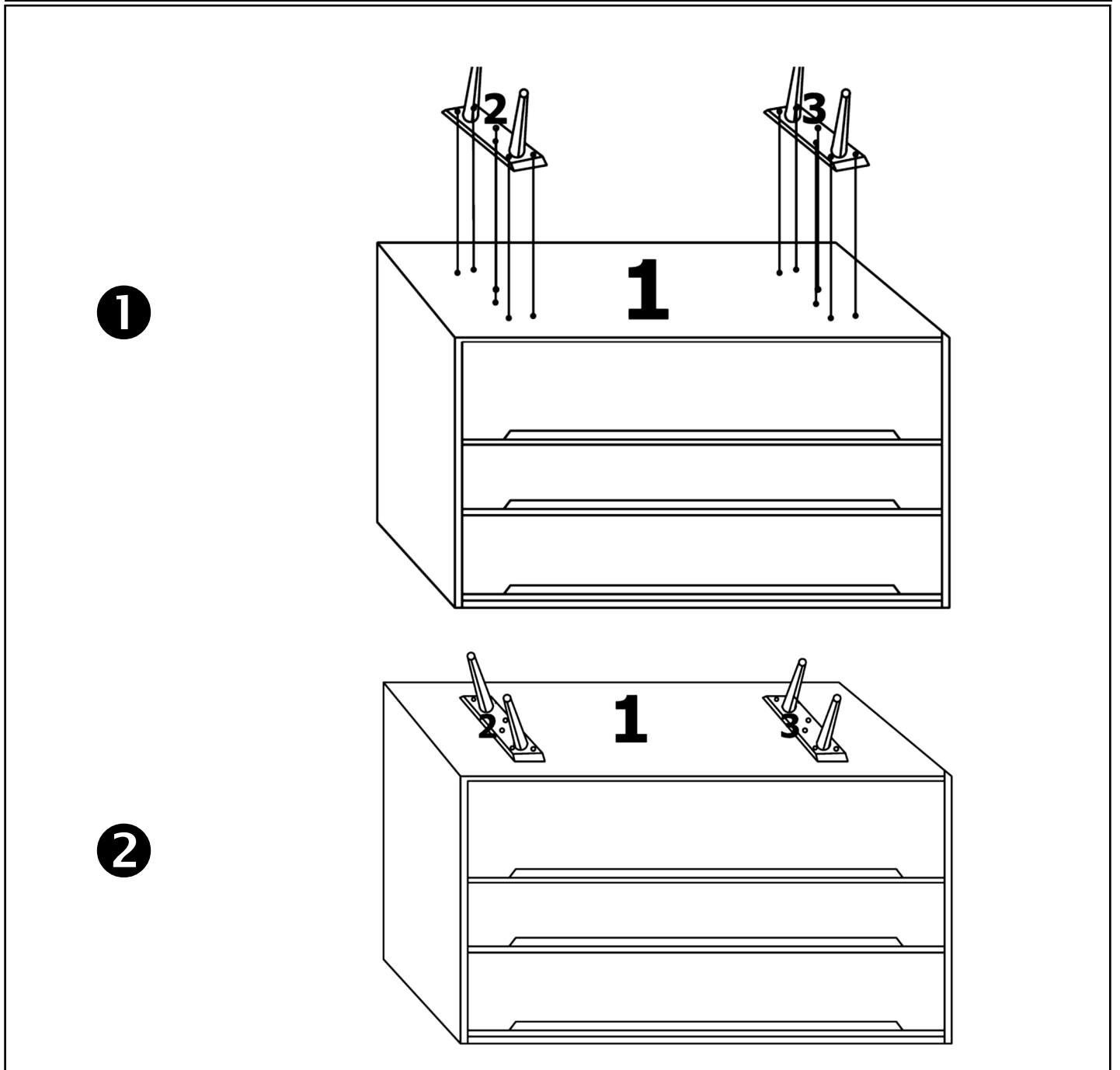
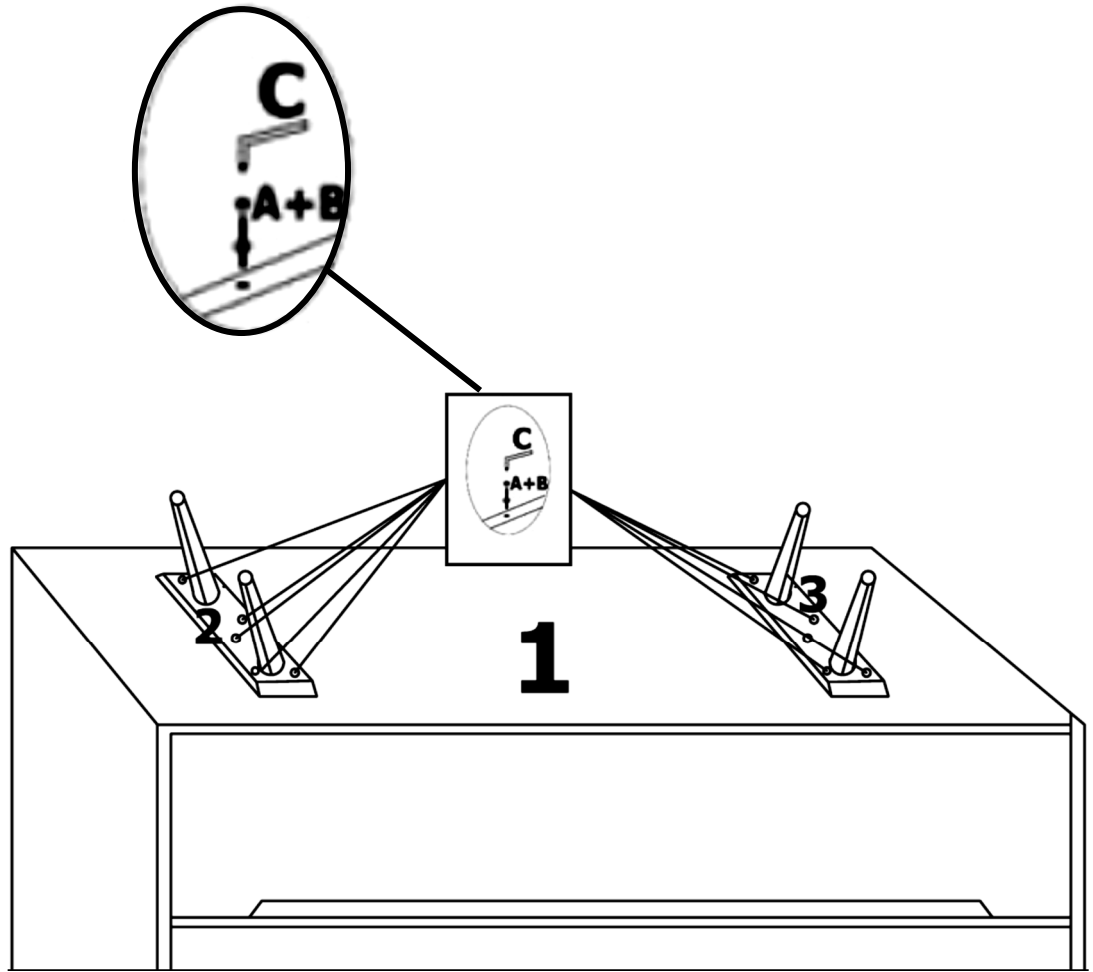
 20 MIN		 ① X1	 ② X1
 ③ X1	A  X12	B  X12	C  X1



3



4

