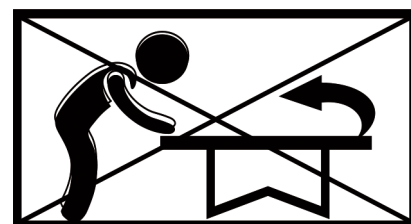
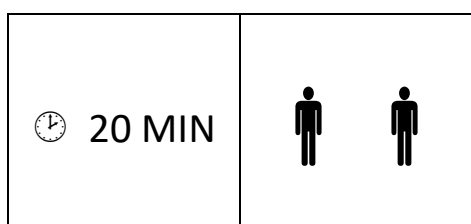
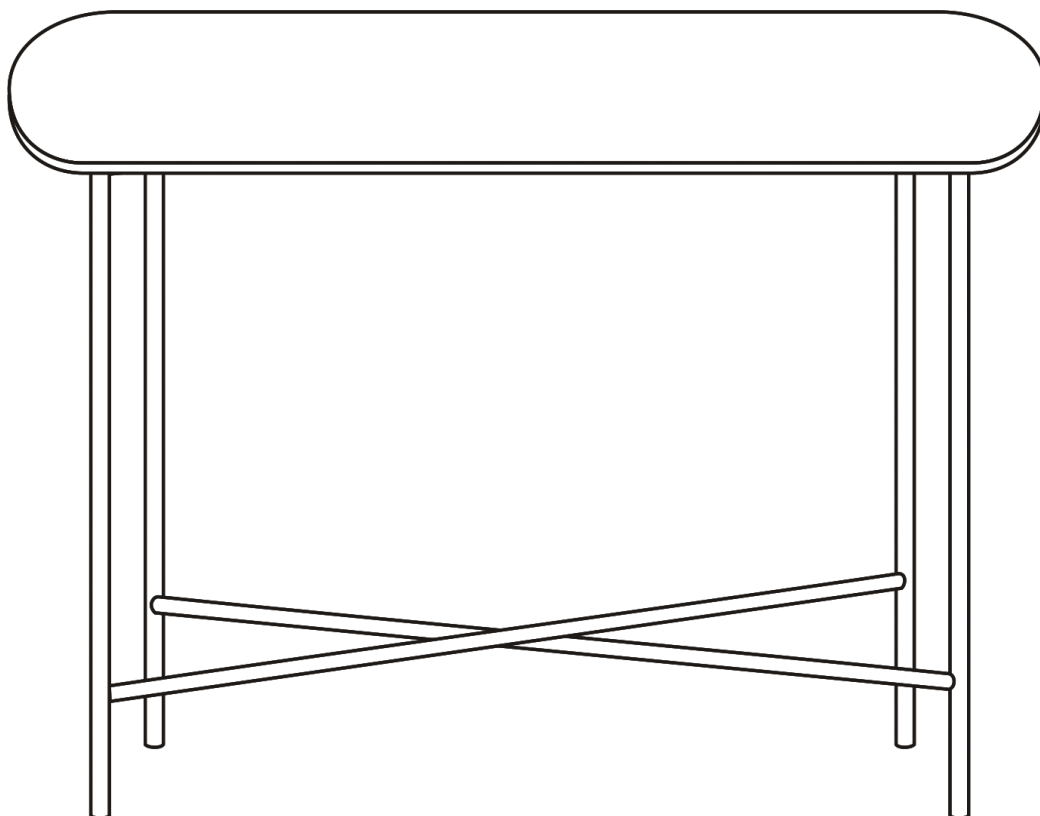


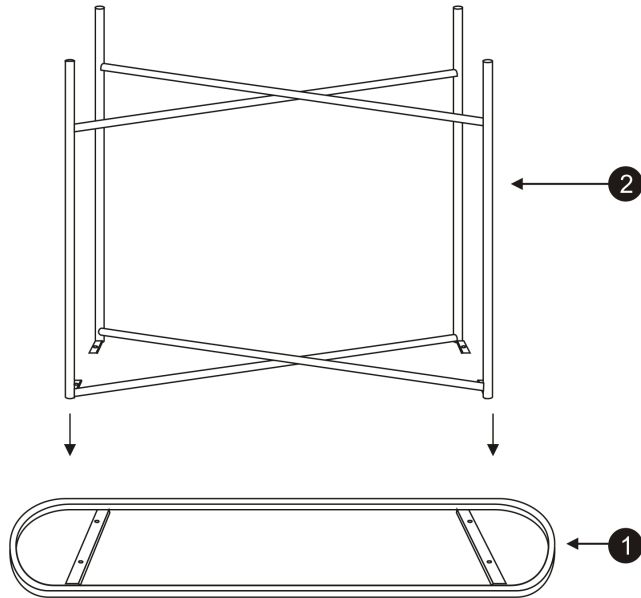
**MAISONS**  
DU MONDE

# MADDIE

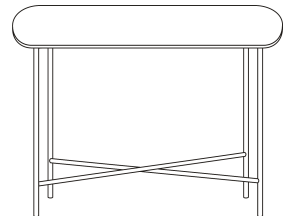
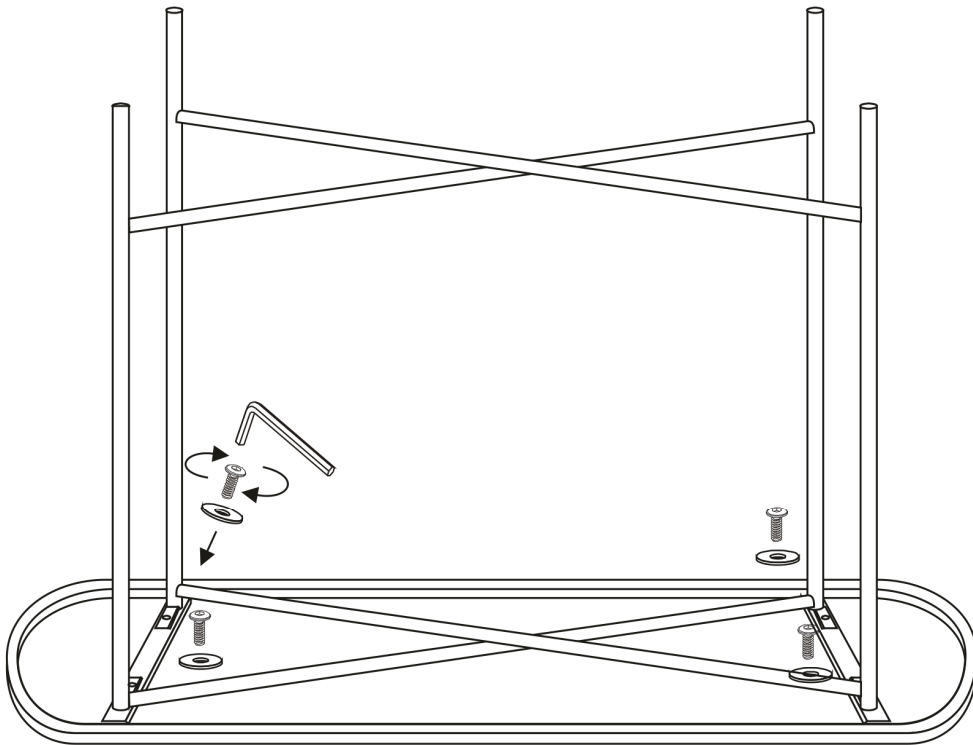
195964 - 195965

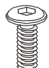




①



②



<p><b>A</b></p>  <p>10x12 mm X4+2</p>	<p><b>B</b></p>  <p>18 mm X4+2</p>	<p><b>C</b></p>  <p>6.5x2.5 cm X1</p>
--	---	--