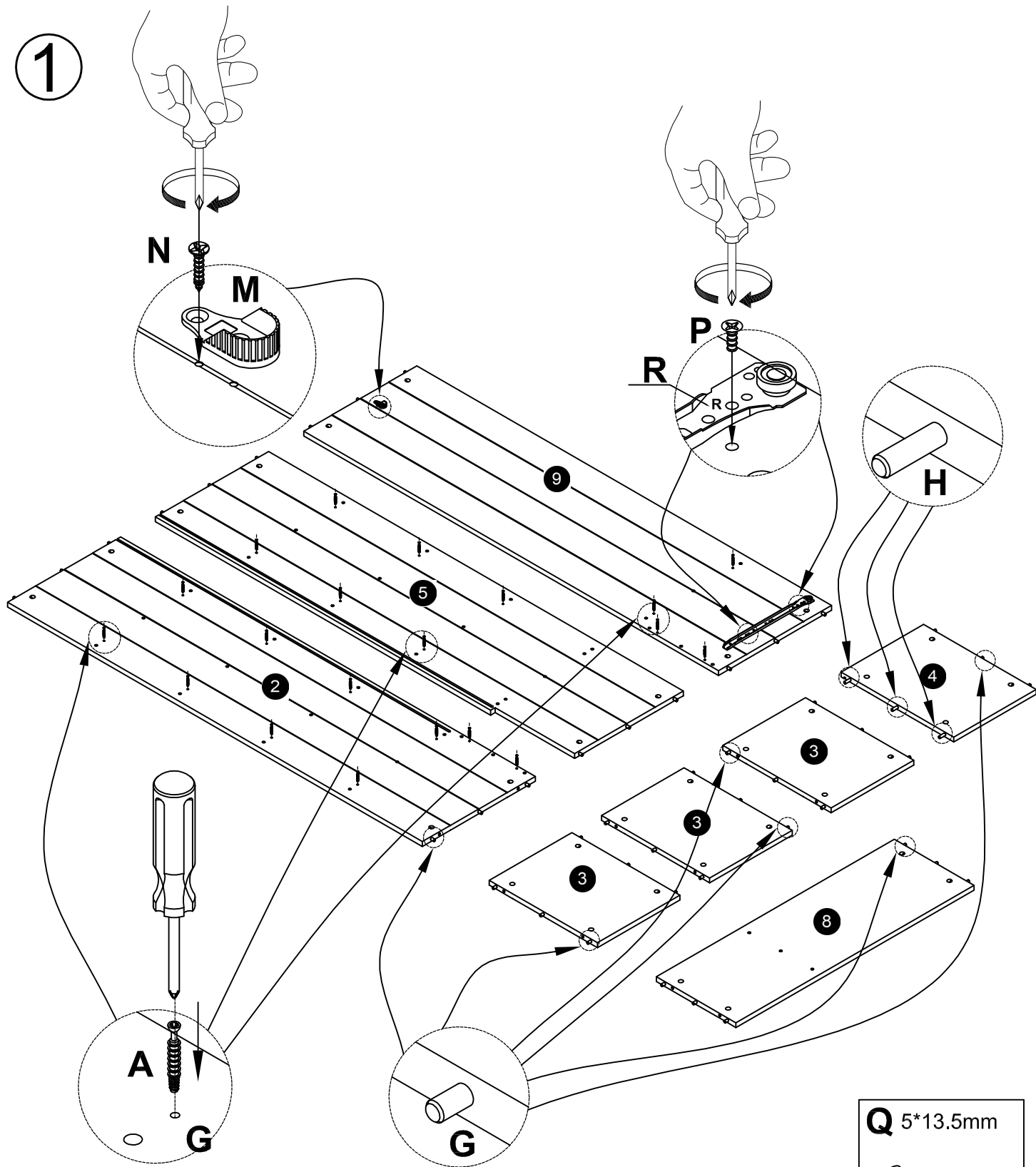


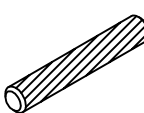



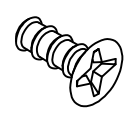
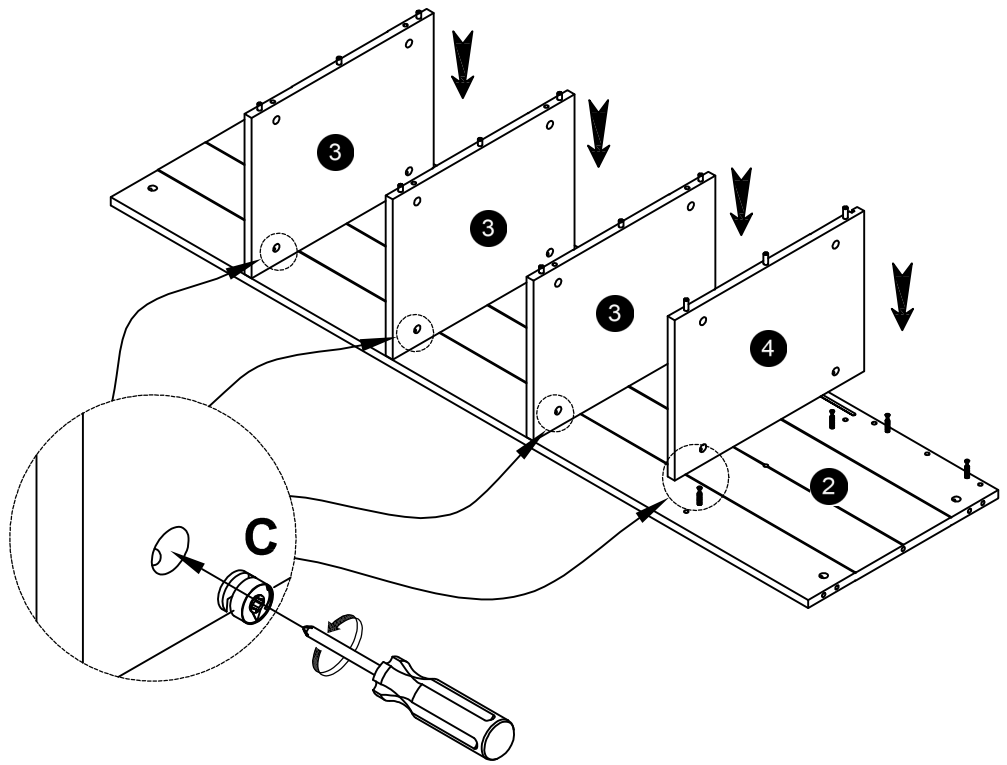


1



<p><b>A</b> Ø6*40mm</p>  <p>X16</p>	<p>Ø7.7*25mm</p>  <p>X48</p>	<p><b>H</b> Ø7.7*45mm</p>  <p>X3</p>	<p><b>M</b></p>  <p>X1</p>	<p><b>N</b> M3*15mm</p>  <p>X2</p>	<p><b>P</b> 350mm</p>  <p>X1</p>
					<p><b>Q</b> 5*13.5mm</p>  <p>X2</p>

2

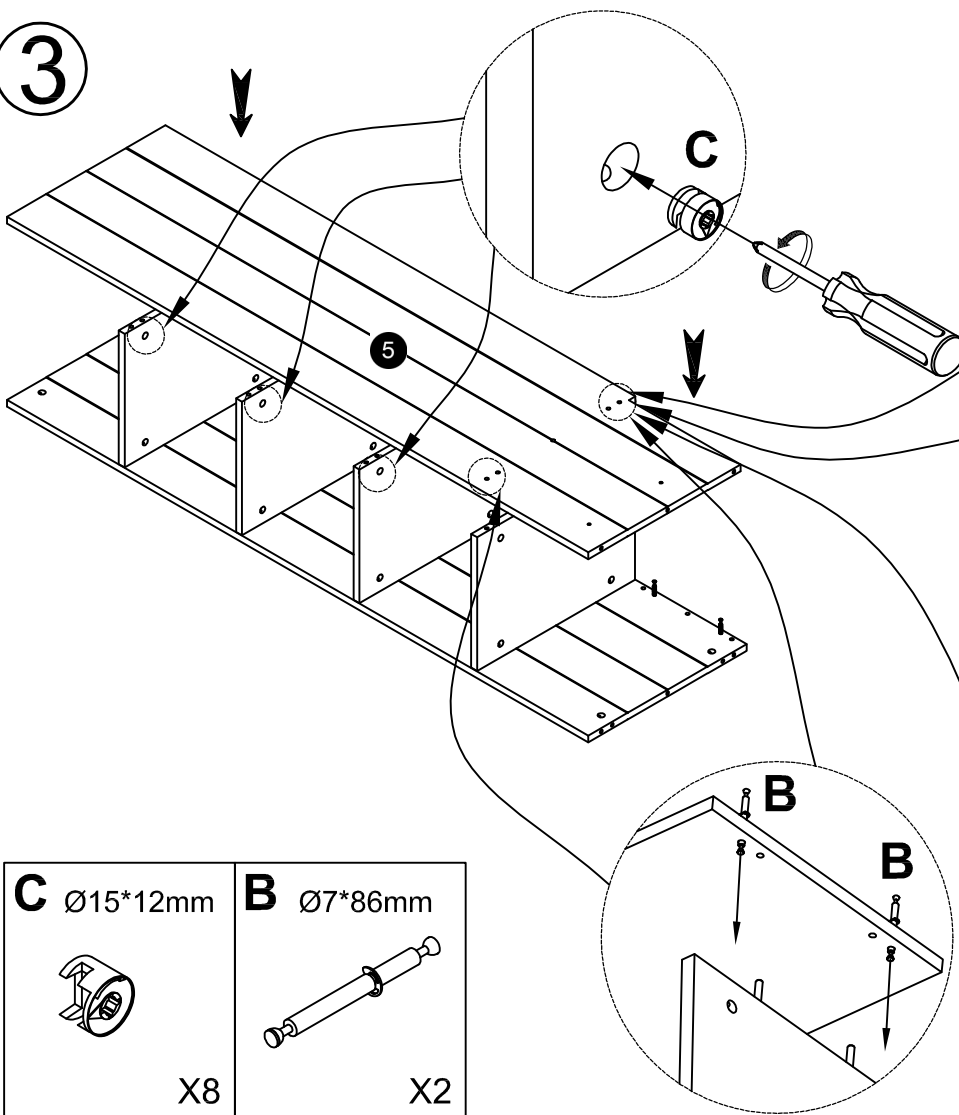


**C** Ø15\*12mm



X8

3

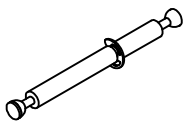


**C** Ø15\*12mm

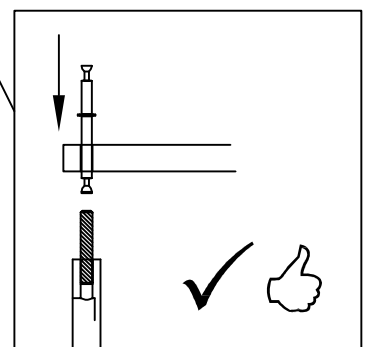
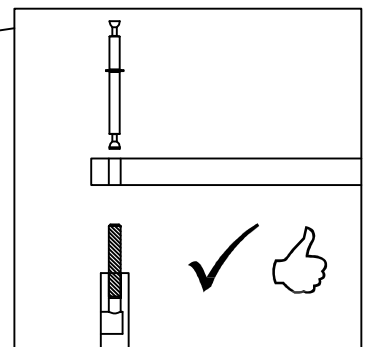
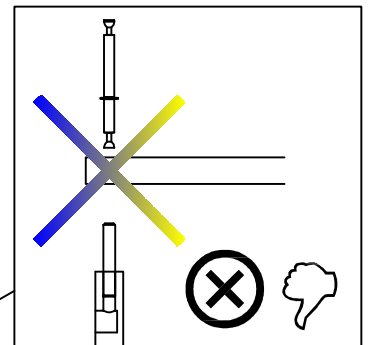


X8

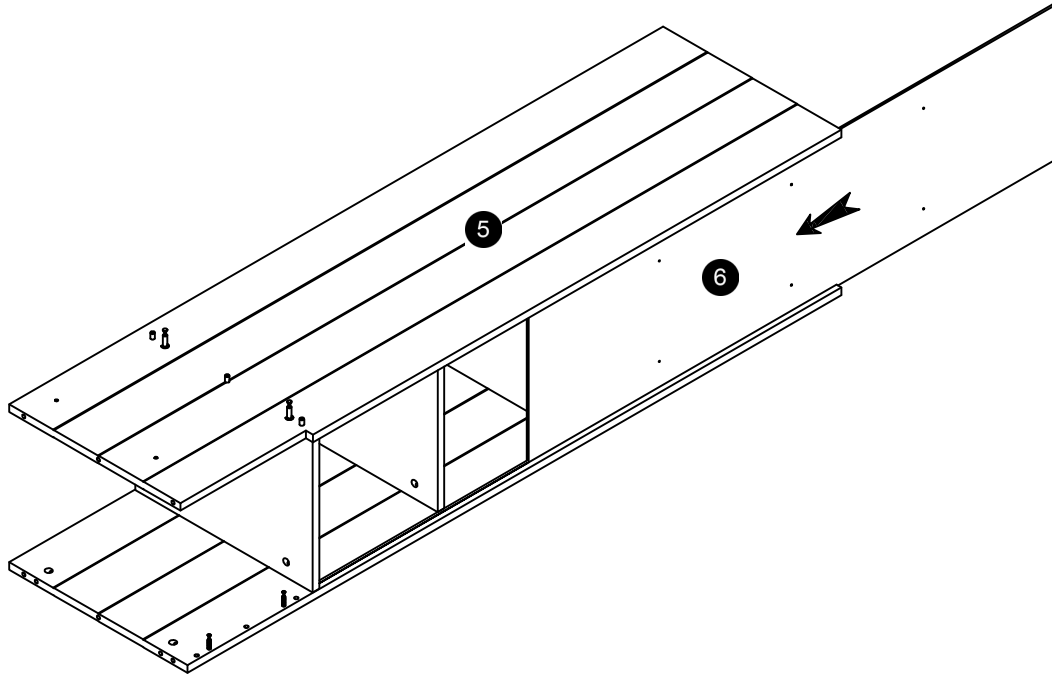
**B** Ø7\*86mm



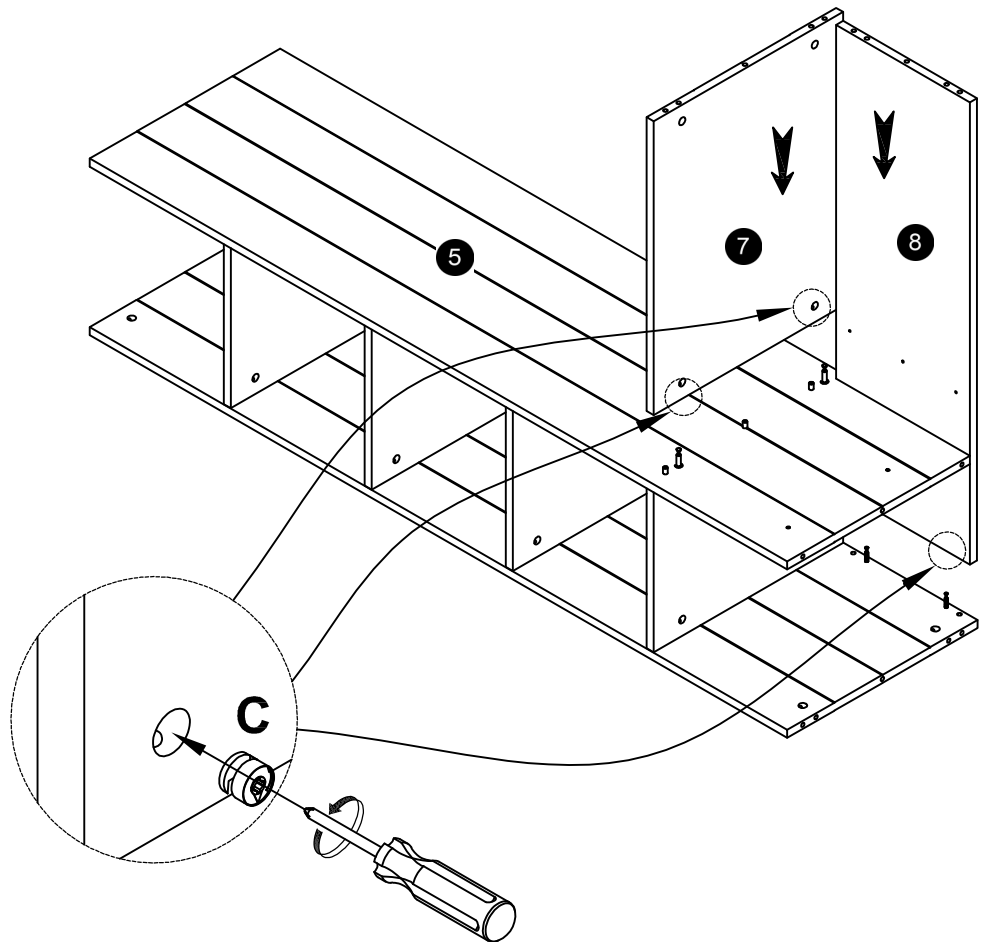
X2



4



5

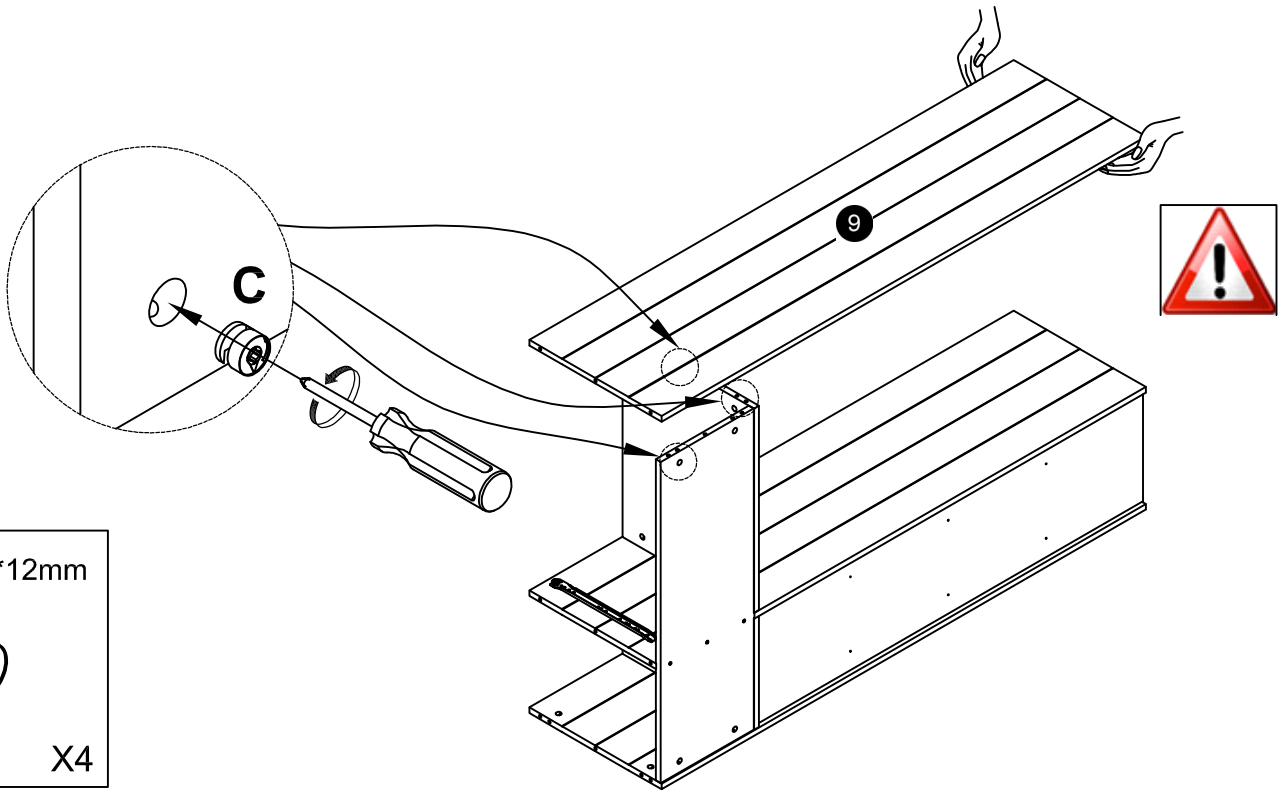


**C** Ø15\*12mm



X4

6

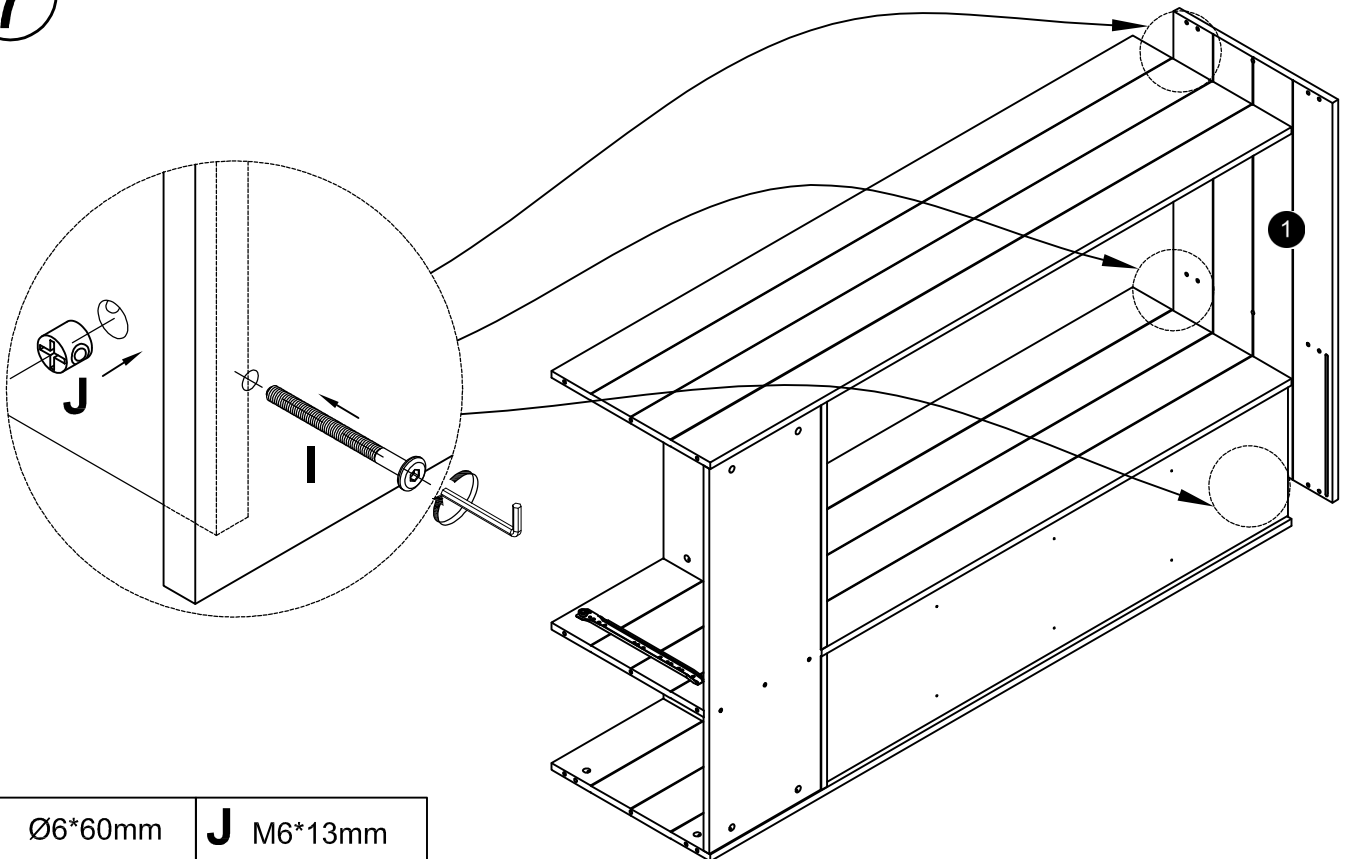


**C** Ø15\*12mm



X4

7



**I** Ø6\*60mm

**J** M6\*13mm

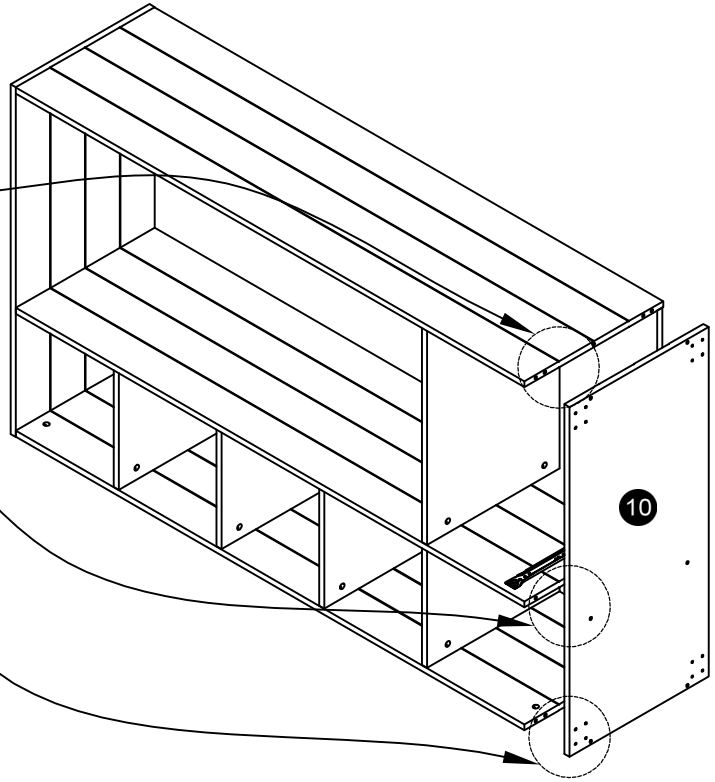
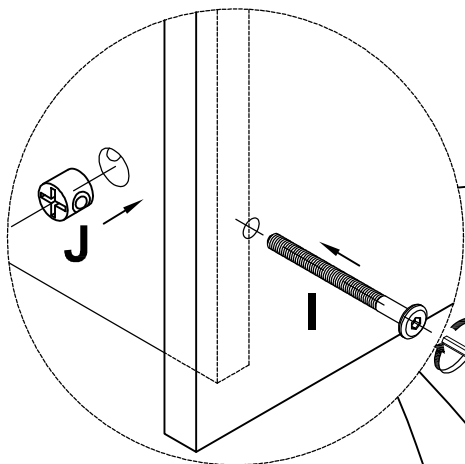


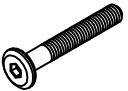
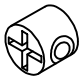
X6



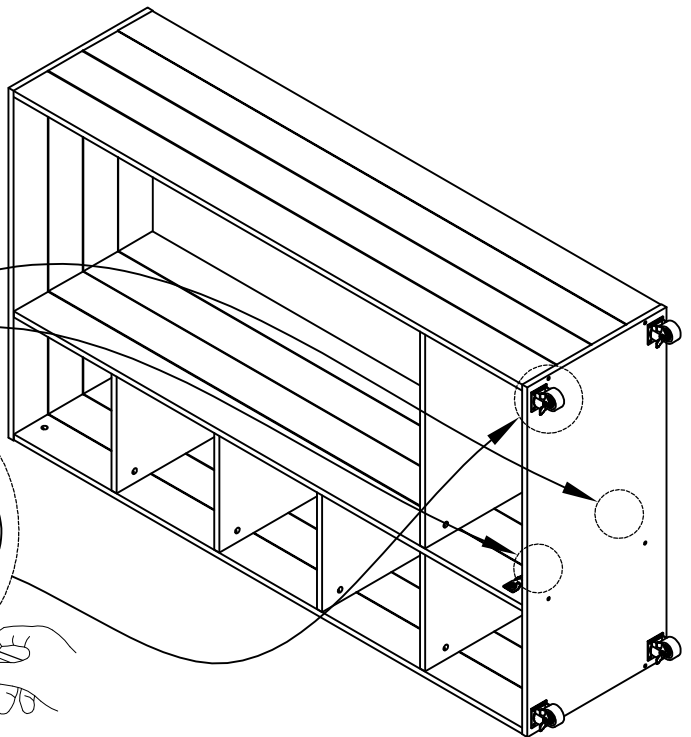
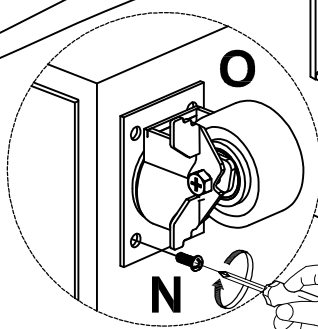
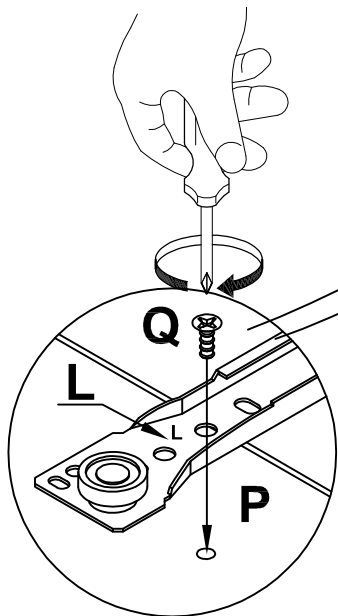
X6


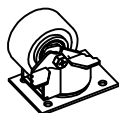




8



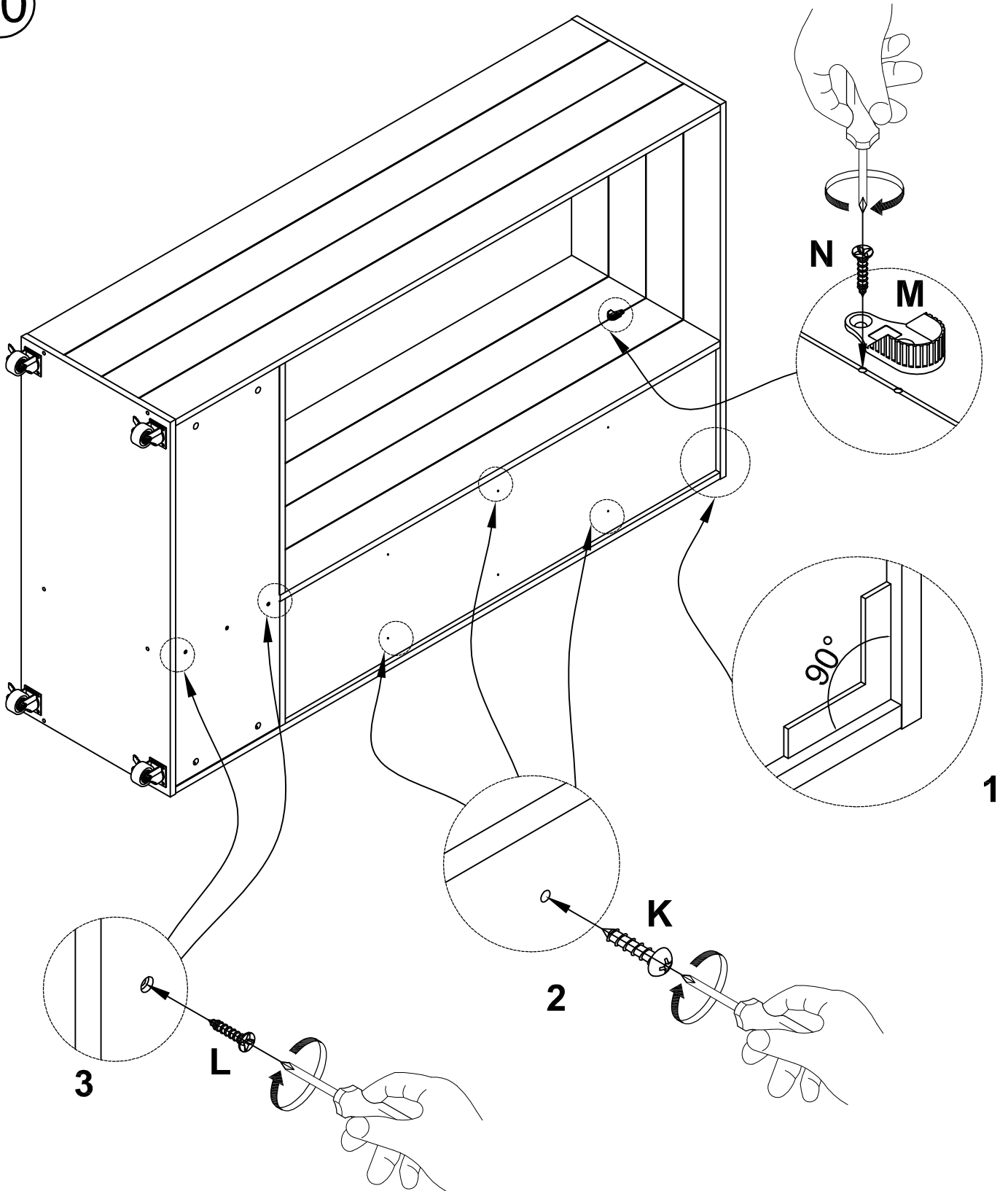
<b>I</b> Ø6*60mm	<b>J</b> M6*13mm
	
X6	X6

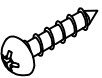

9



<b>N</b> M4*12mm	<b>O</b>	<b>M</b>	<b>N</b> M3*15mm	<b>P</b> 350mm	<b>Q</b> 5*13.5mm
					
X16	X4	X1	X2	X1	X2

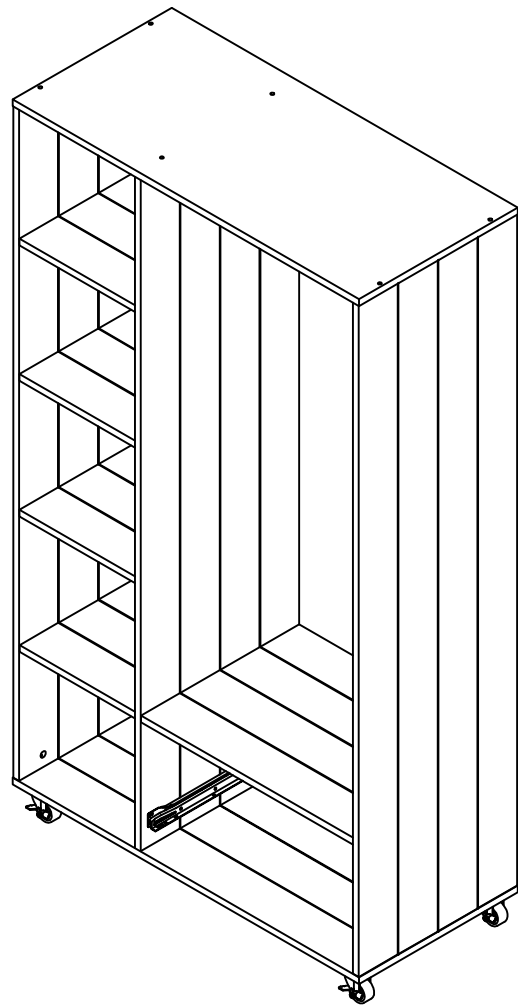
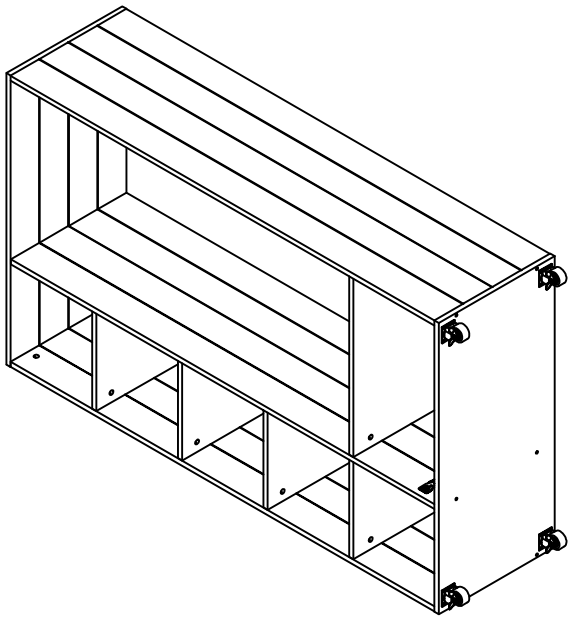
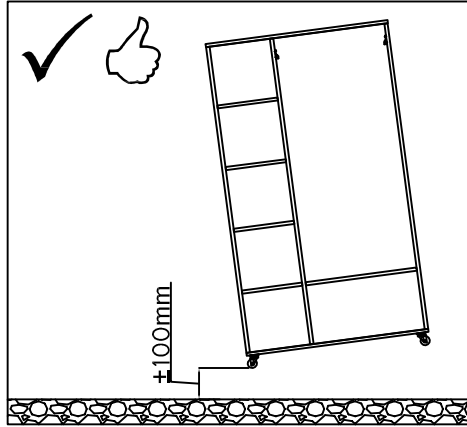
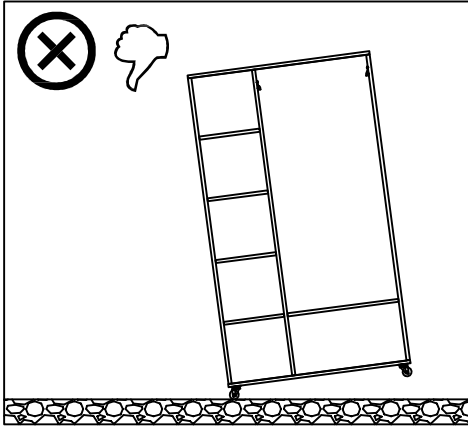
10



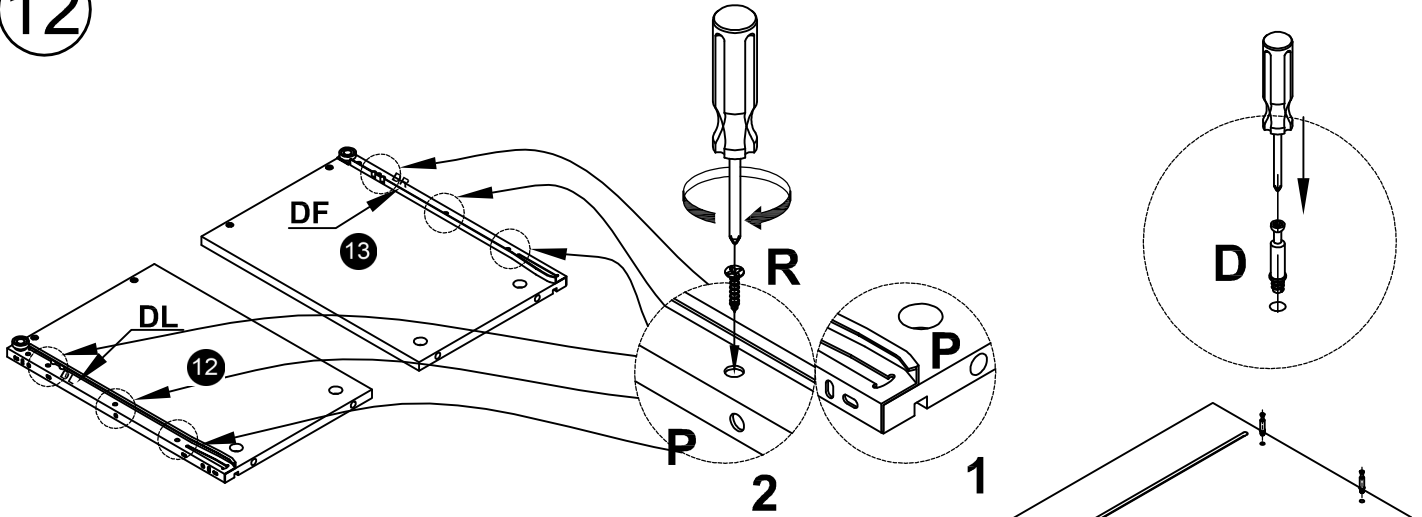
<b>K</b> M3*20mm	<b>L</b> M3.5*30mm
	
X6	X3

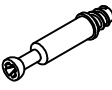




11

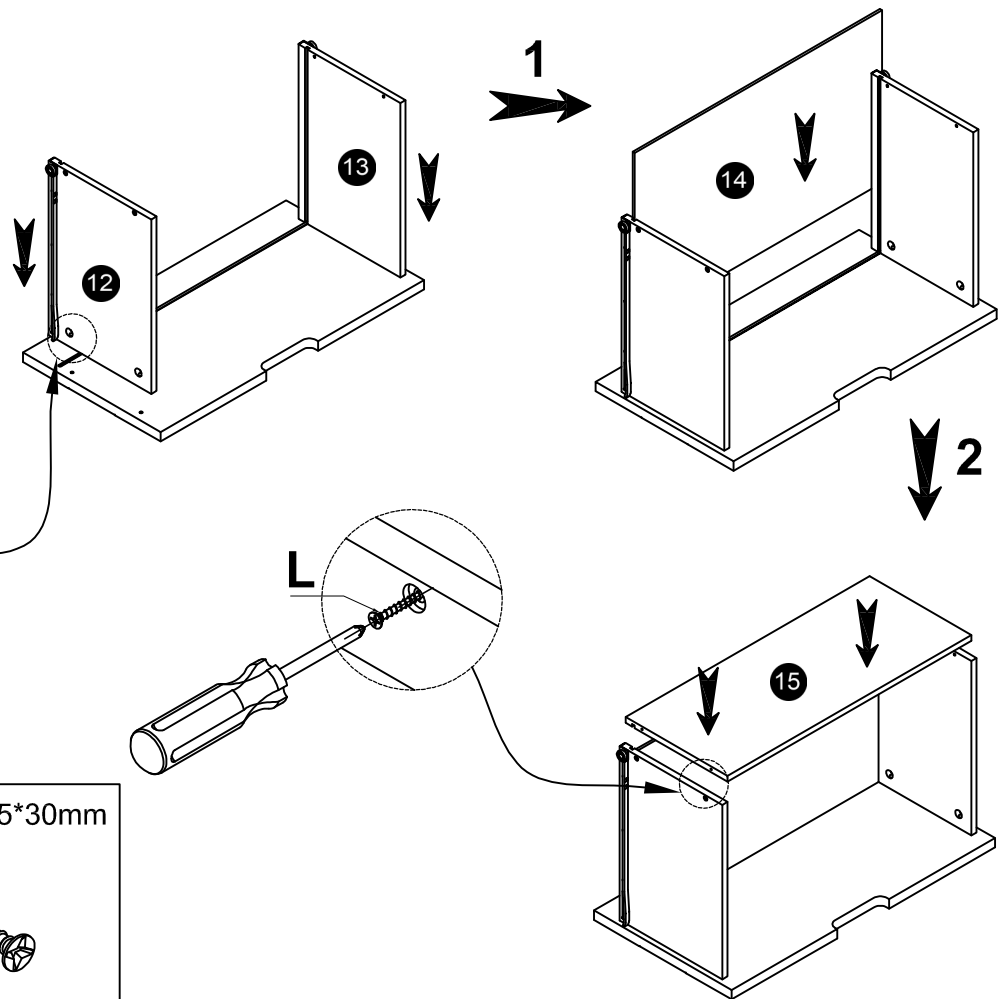




12



<p><b>D</b></p>  <p>X4</p>	<p><b>P</b> 350mm</p>  <p>X2</p>	<p><b>R</b> M3*12mm</p>  <p>X6</p>
---	---	---

13



<p><b>E</b> 10*15</p>  <p>X4</p>	<p><b>L</b> M3.5*30mm</p>  <p>X4</p>
---	---

14

