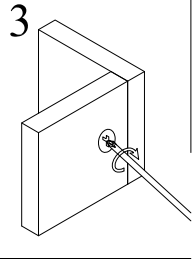
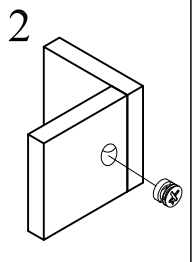
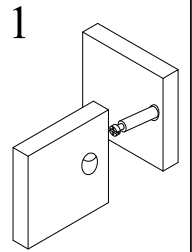
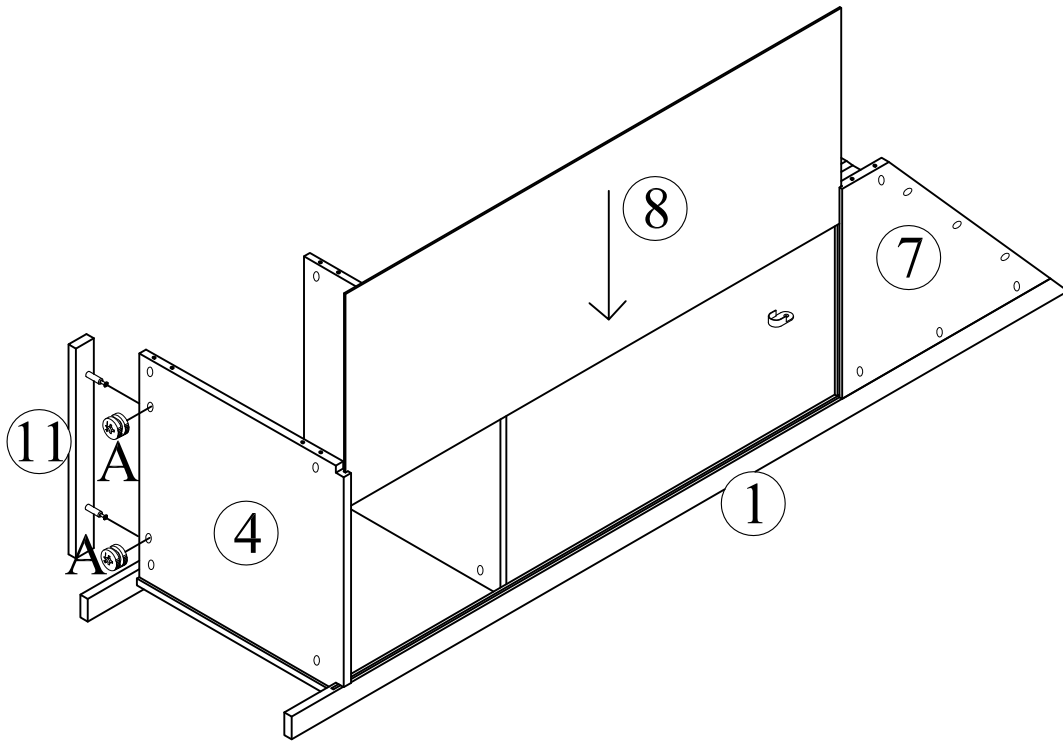
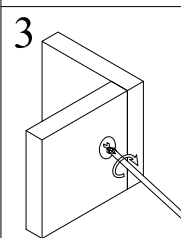
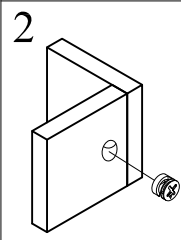
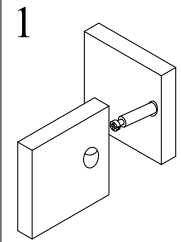
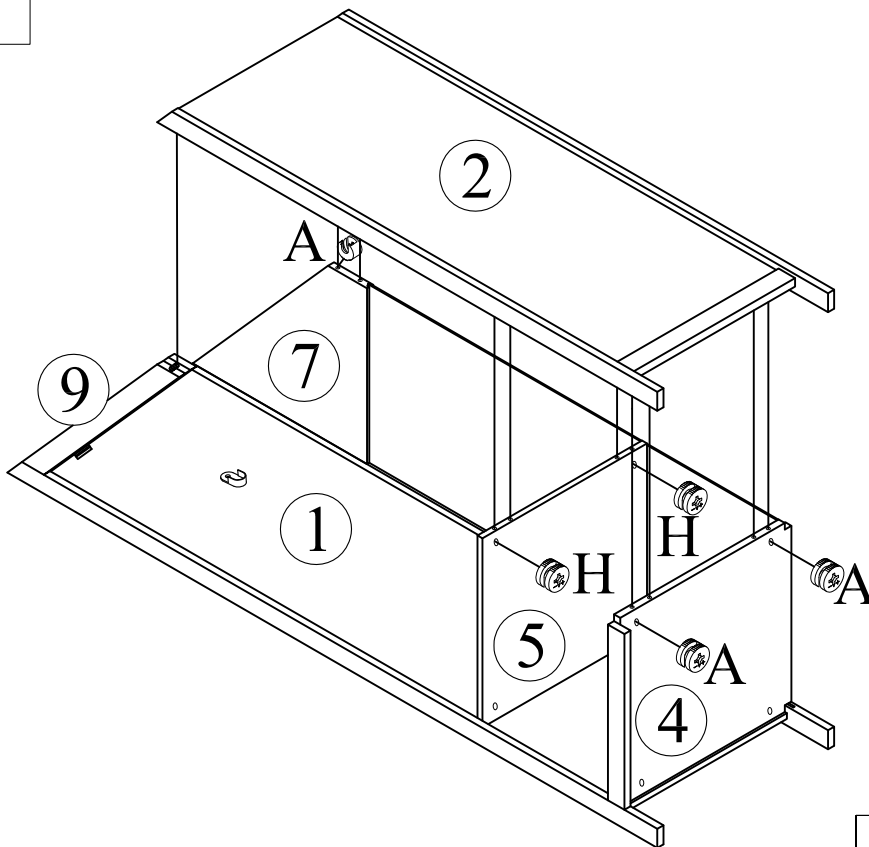


3



A x 2

4

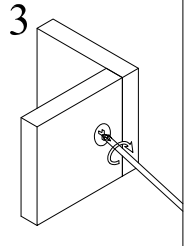
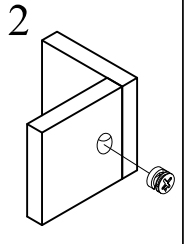
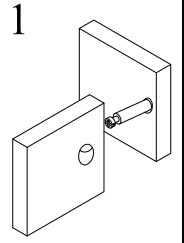
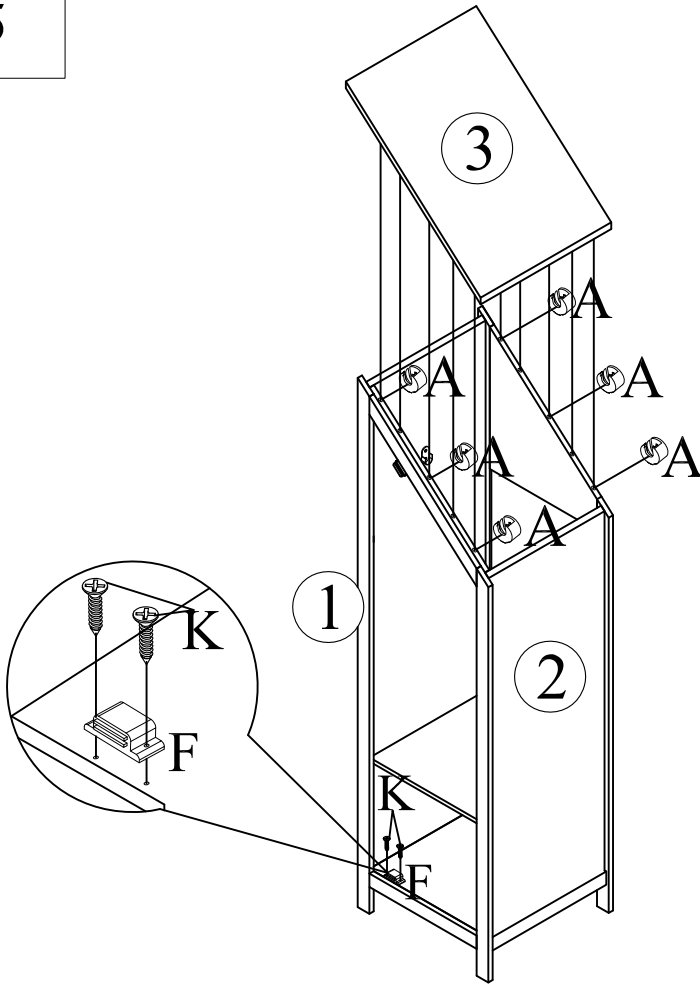



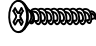

A x 3



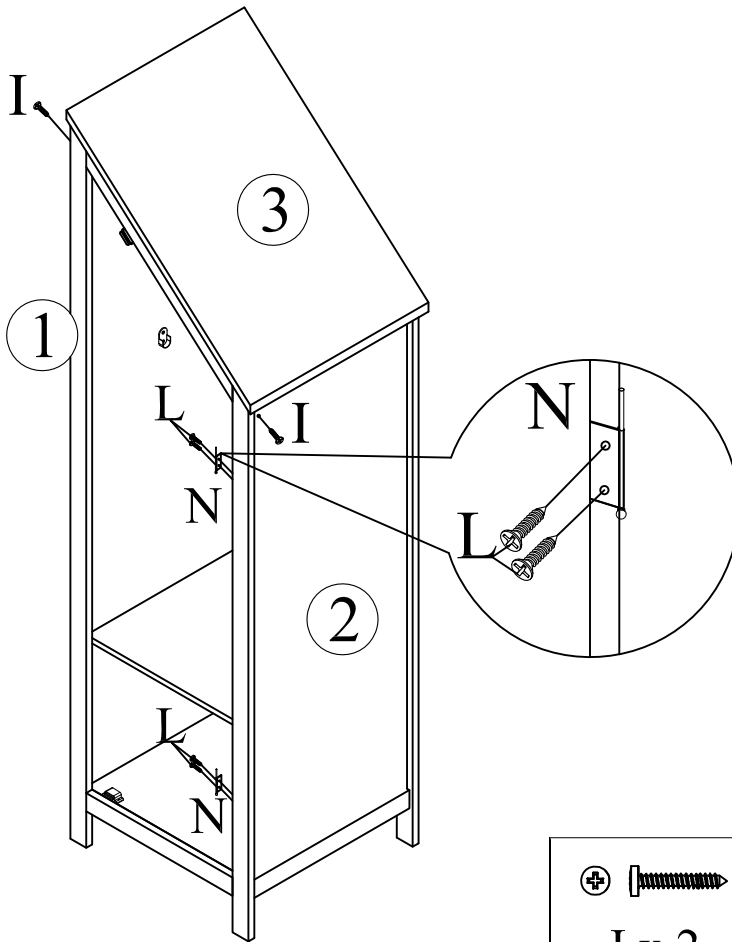
H x 2




5



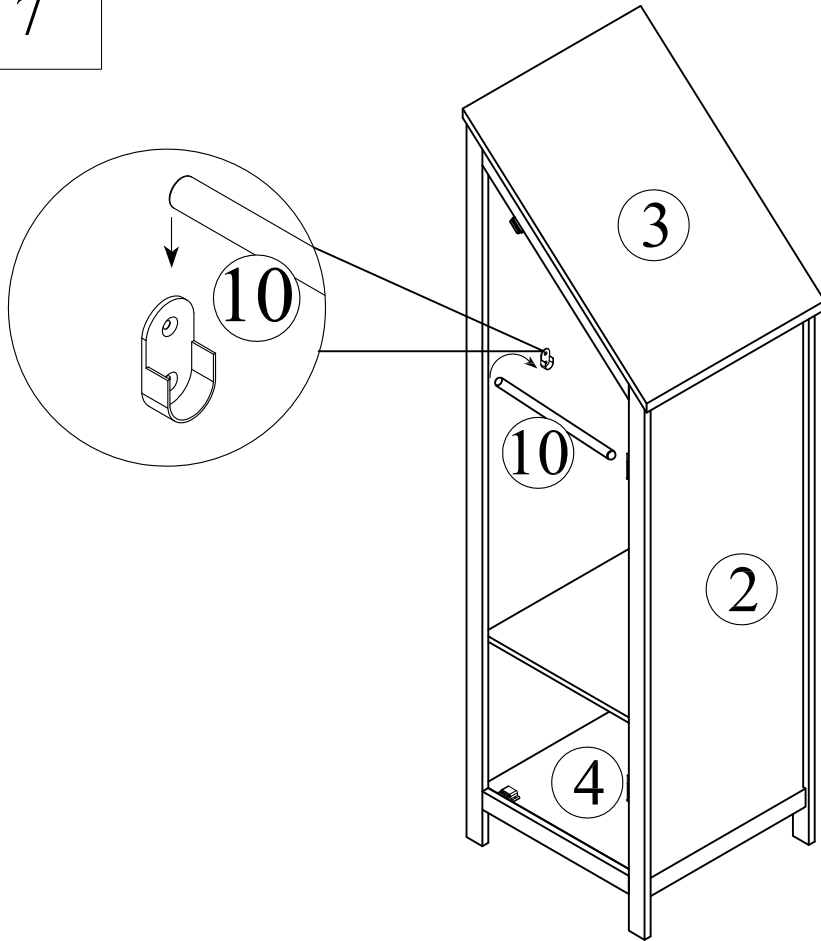
		
F x 1	K x 2	A x 6

6



		
I x 2	L x 4	N x 2

7



8

