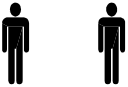
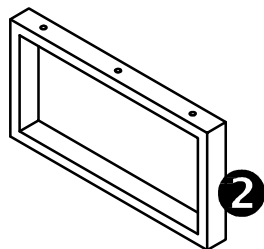
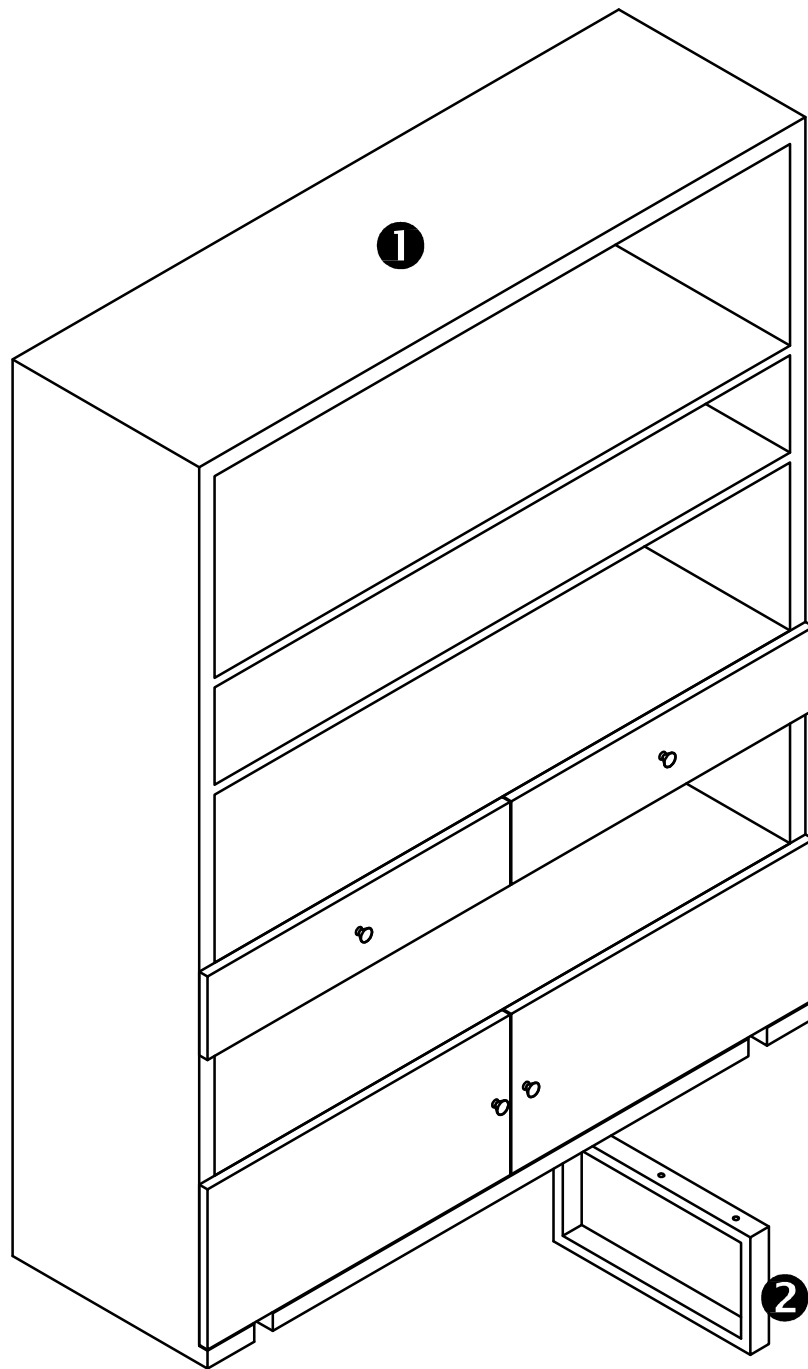
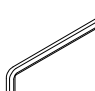

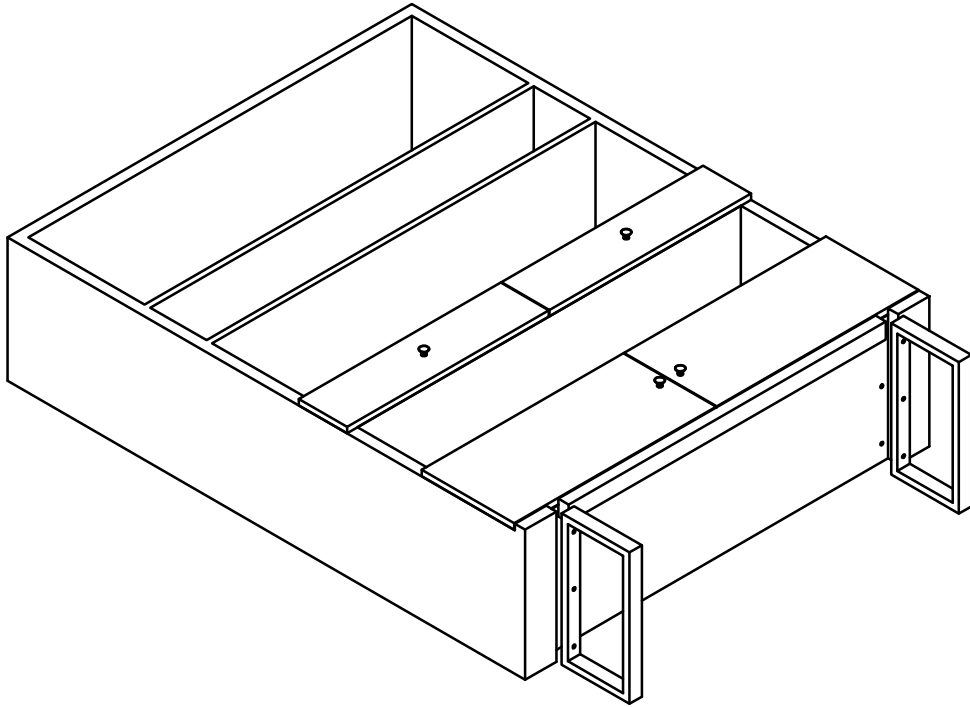
 20 MIN	
--	---

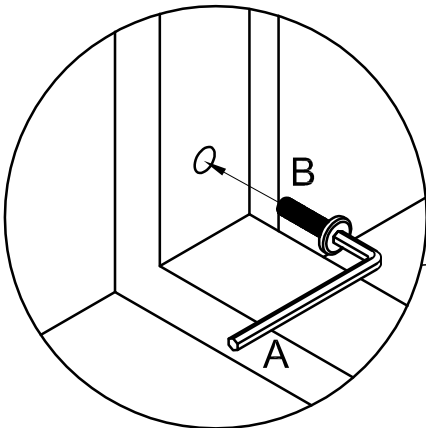
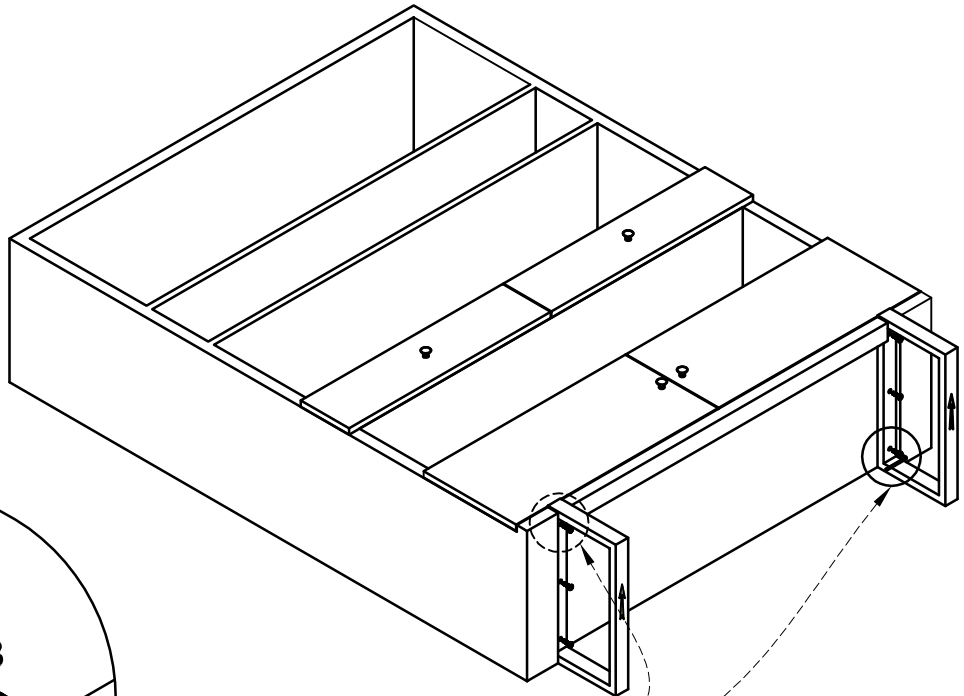




A M4 *100  x 1	B M6*35 mm  x 6
---	--

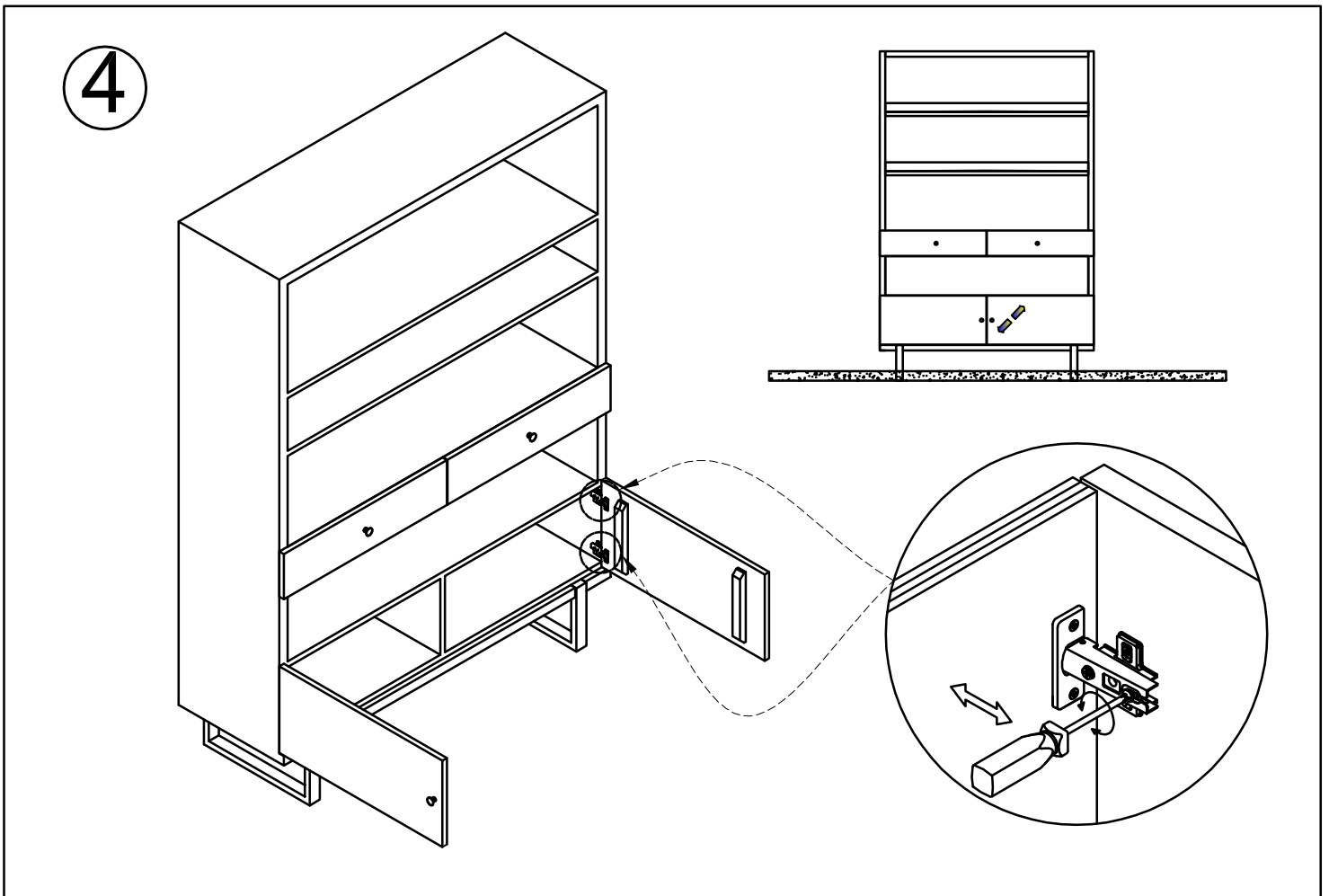
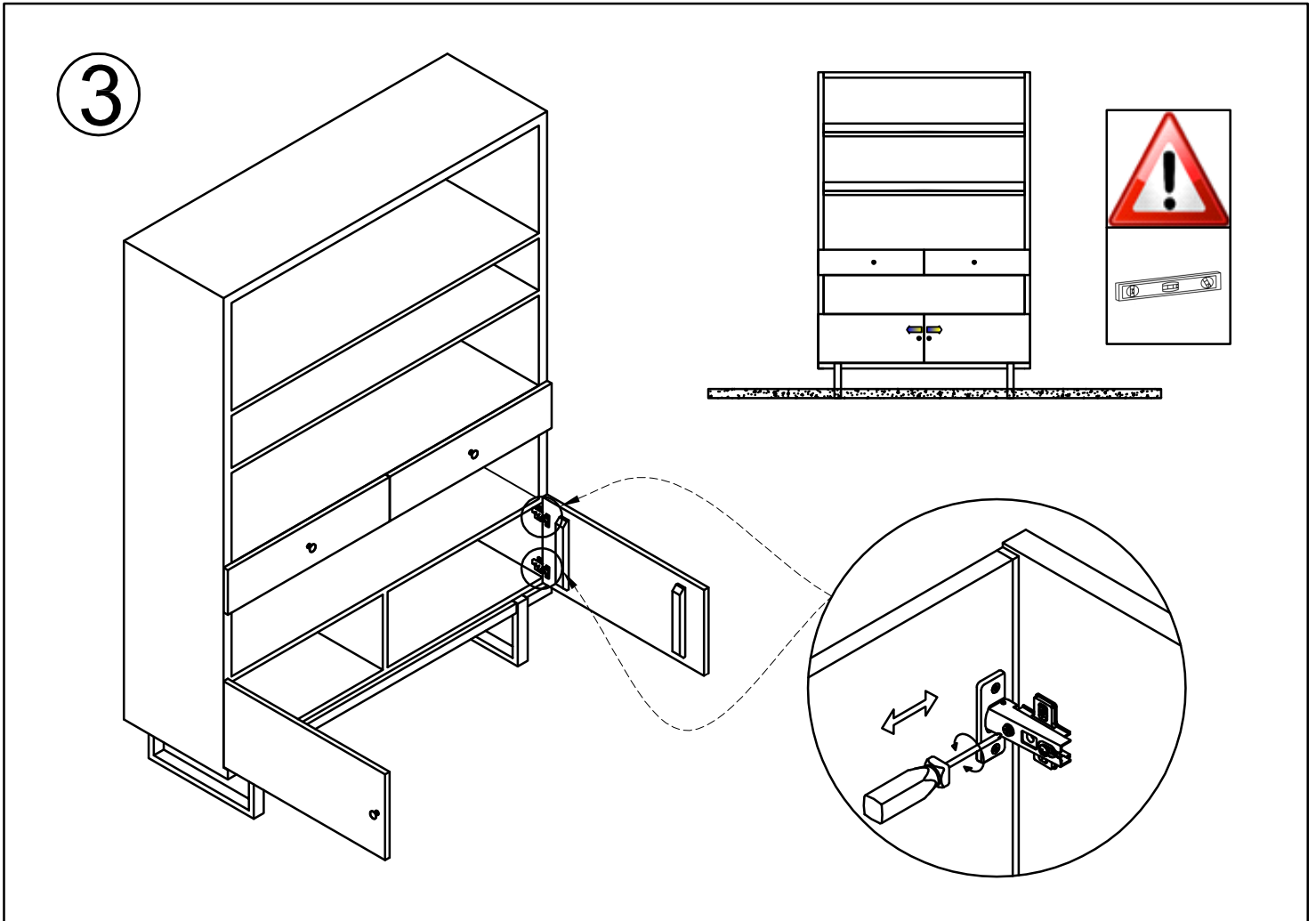
1



2



A M4 *100  x 1	B M6*35 mm  x 6
---	--



5

