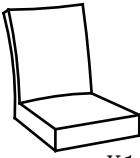
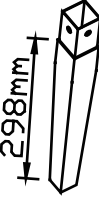
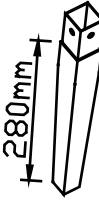


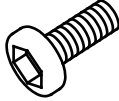


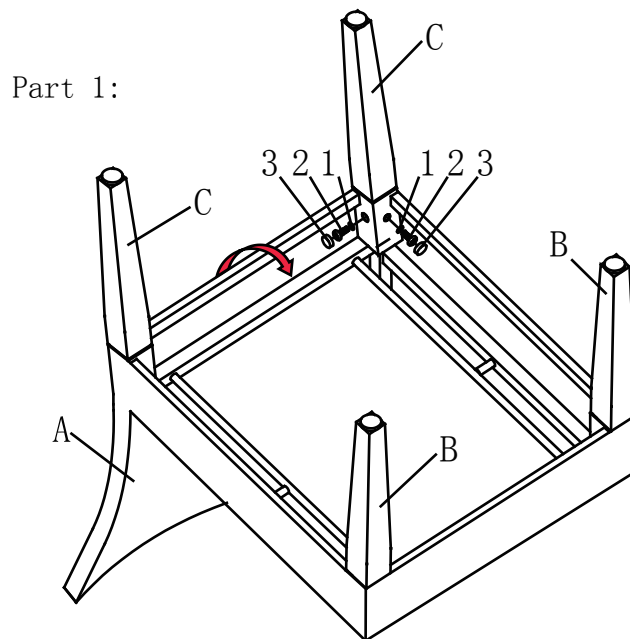
 20 MIN	A  X1	B  X2	C  X2
			
1  X8	2  M6*15mm X8	3  X8	4  X1



Part 2:

