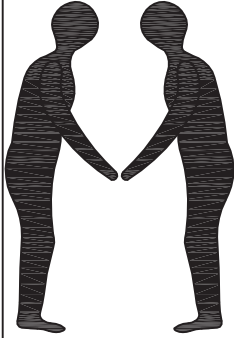
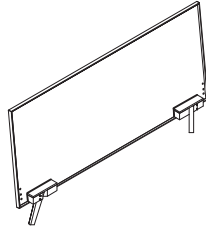




30 MIN



1



X1

2



X1

3



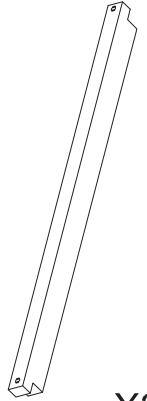
X2

4



X3

5



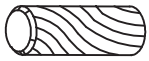
X3

**A**



X4

**B** Ø10\*30mm



X4

**C** key 3



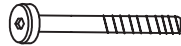
X1

**D**



X4

**E** Ø6 \*90



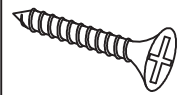
X4

**F** Ø6 \*17



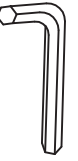
X4

**G** M4 \*25mm

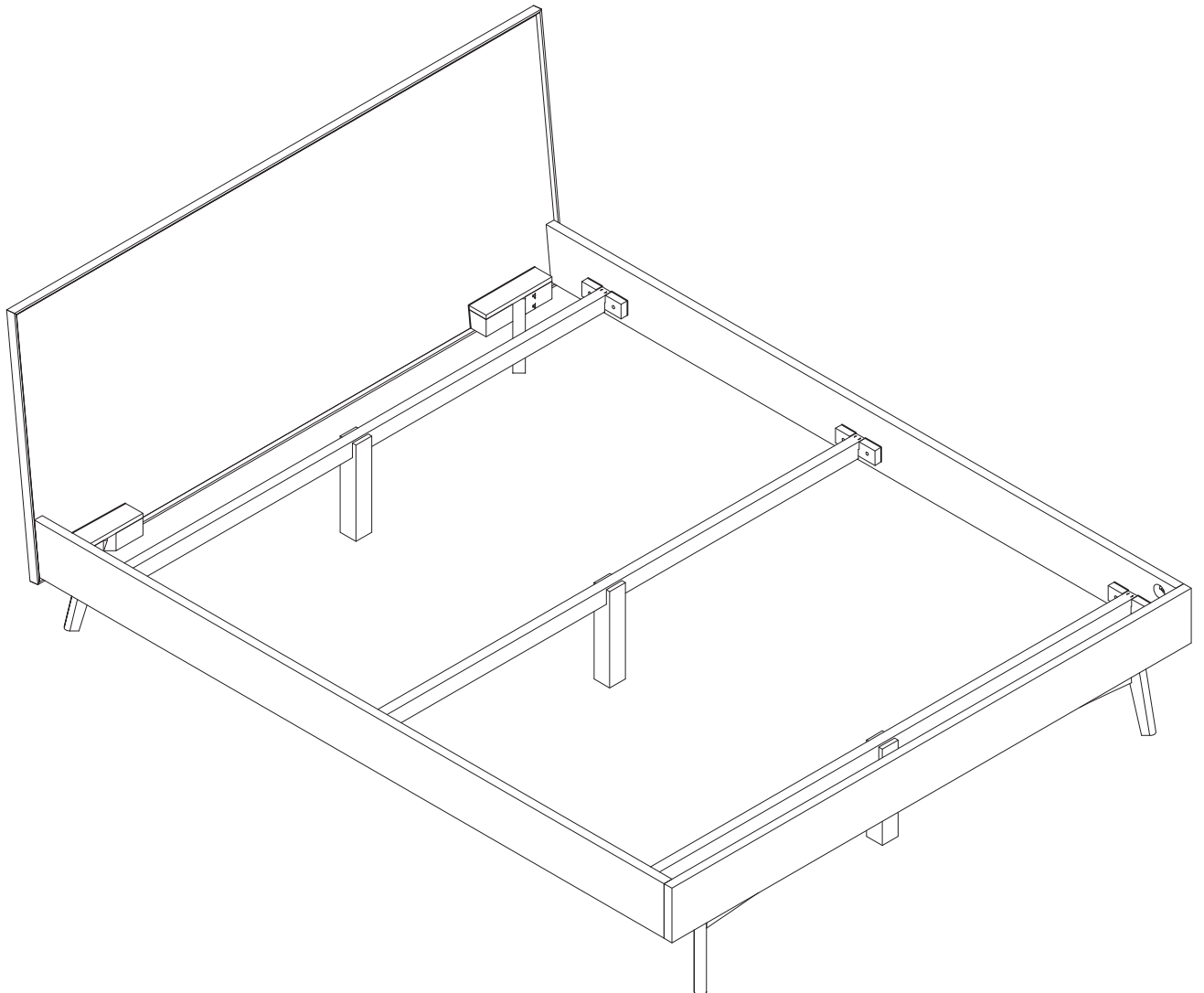


X8

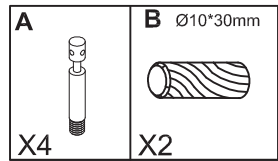
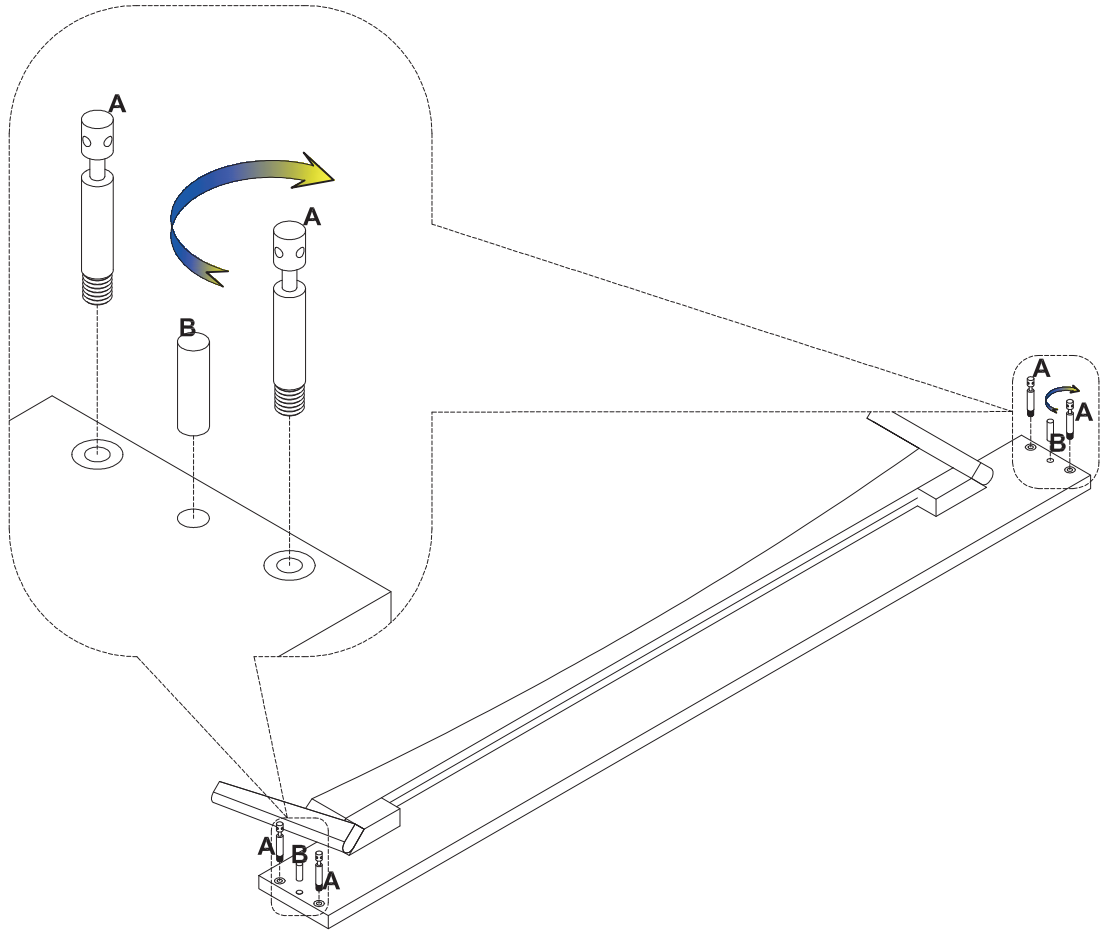
**H** key 4



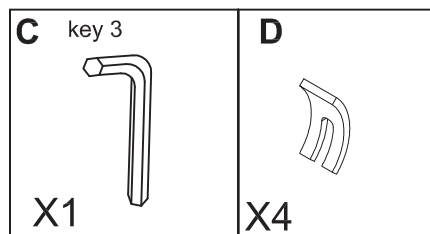
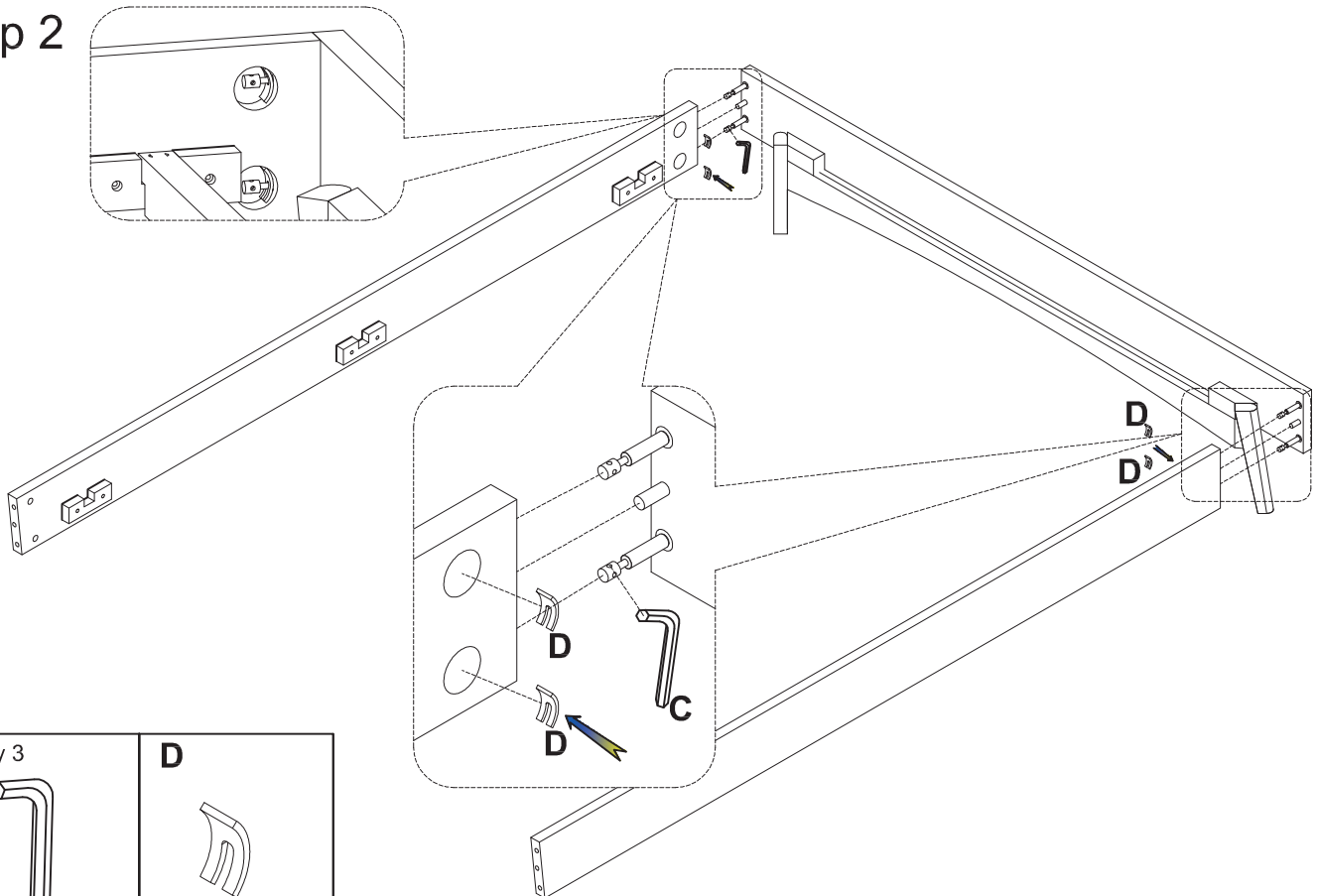
X1



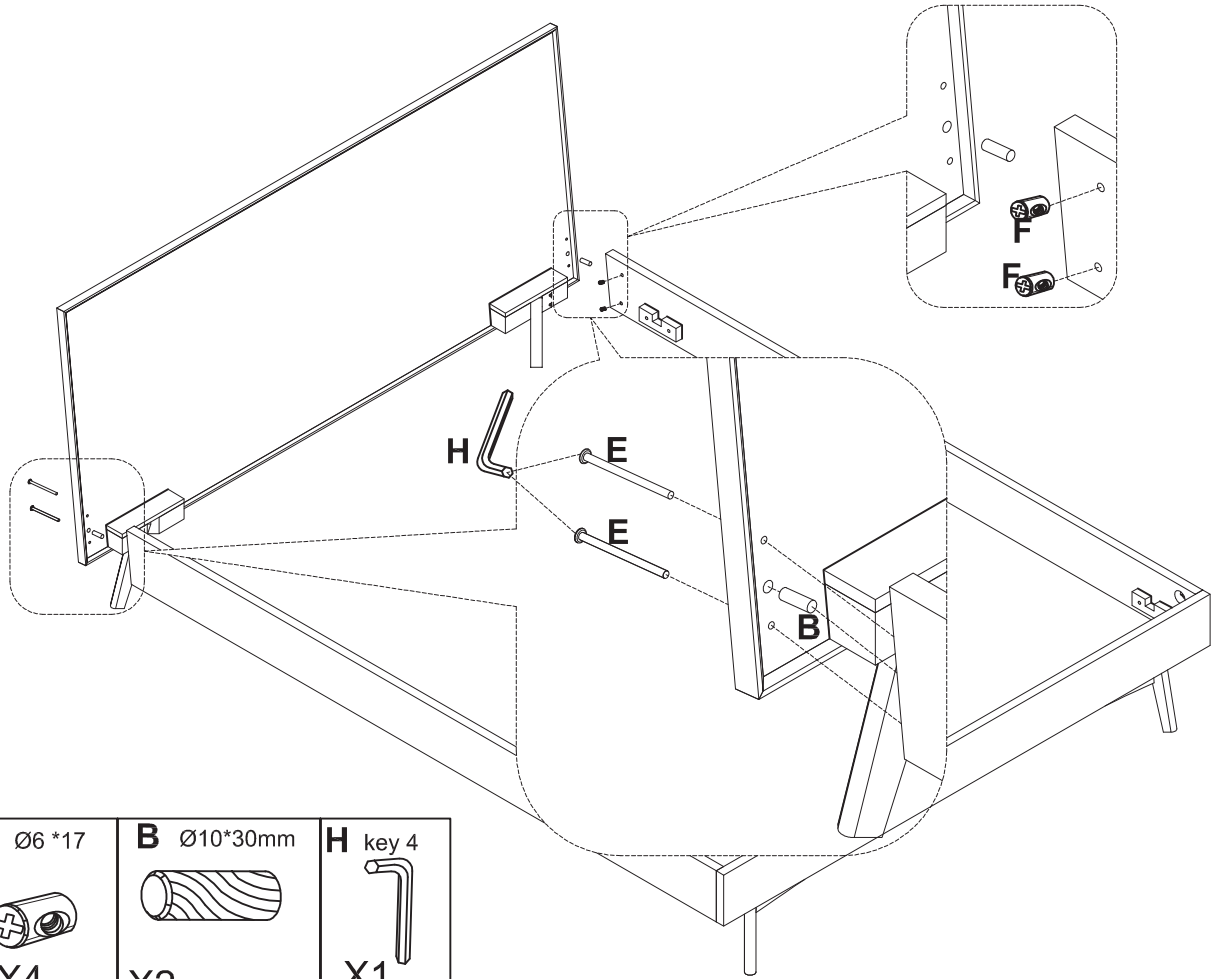
step 1



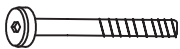
step 2



### step 3



**E** Ø6 \*90



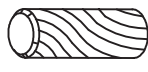
X4

**F** Ø6 \*17



X4

**B** Ø10\*30mm



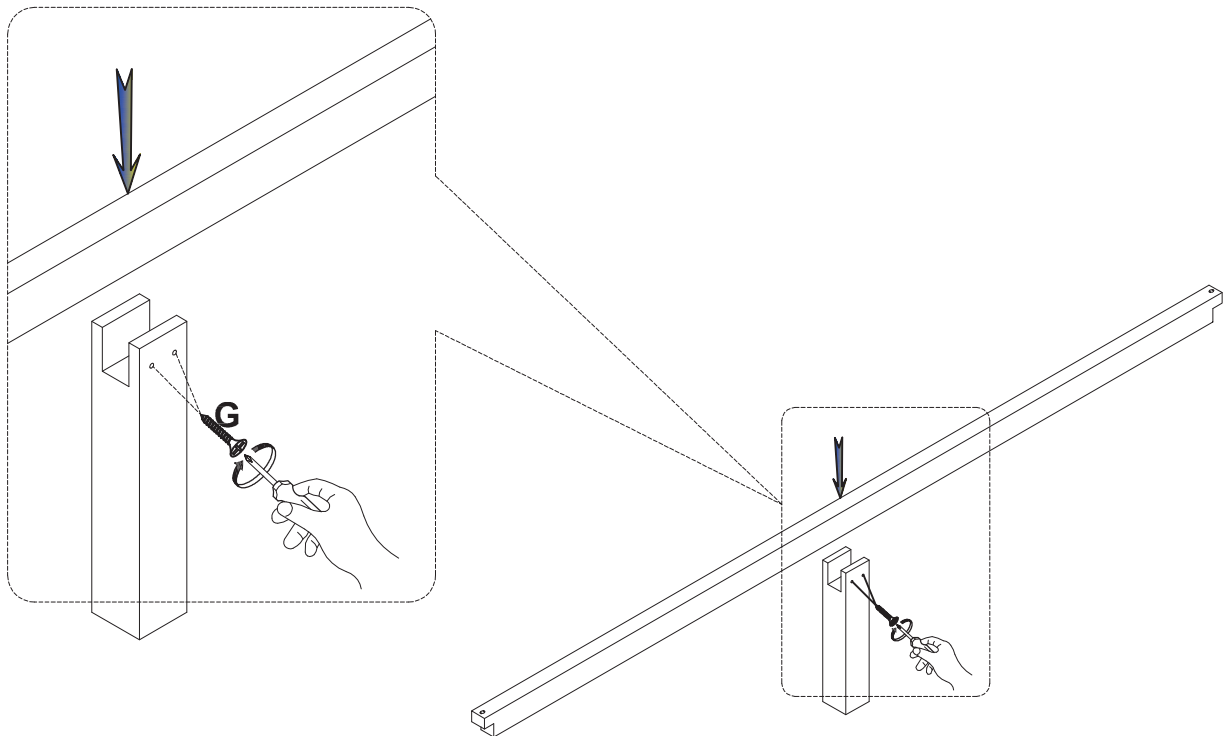
X2

**H** key 4

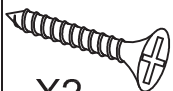


X1

### step 4

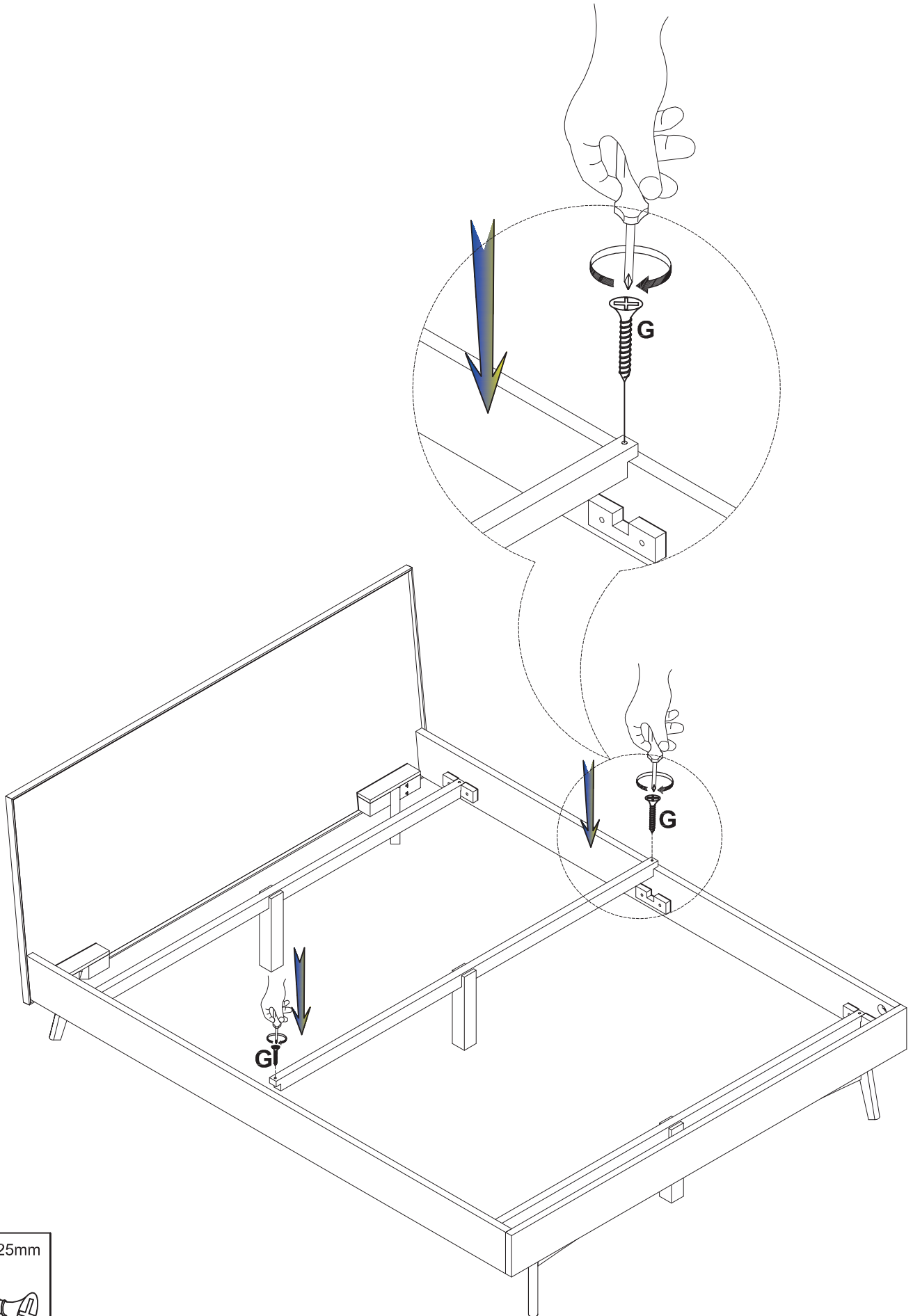


**G** M4 \*25mm

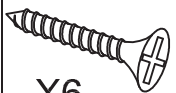


X2

step 5



**G** M4 \*25mm



X6