

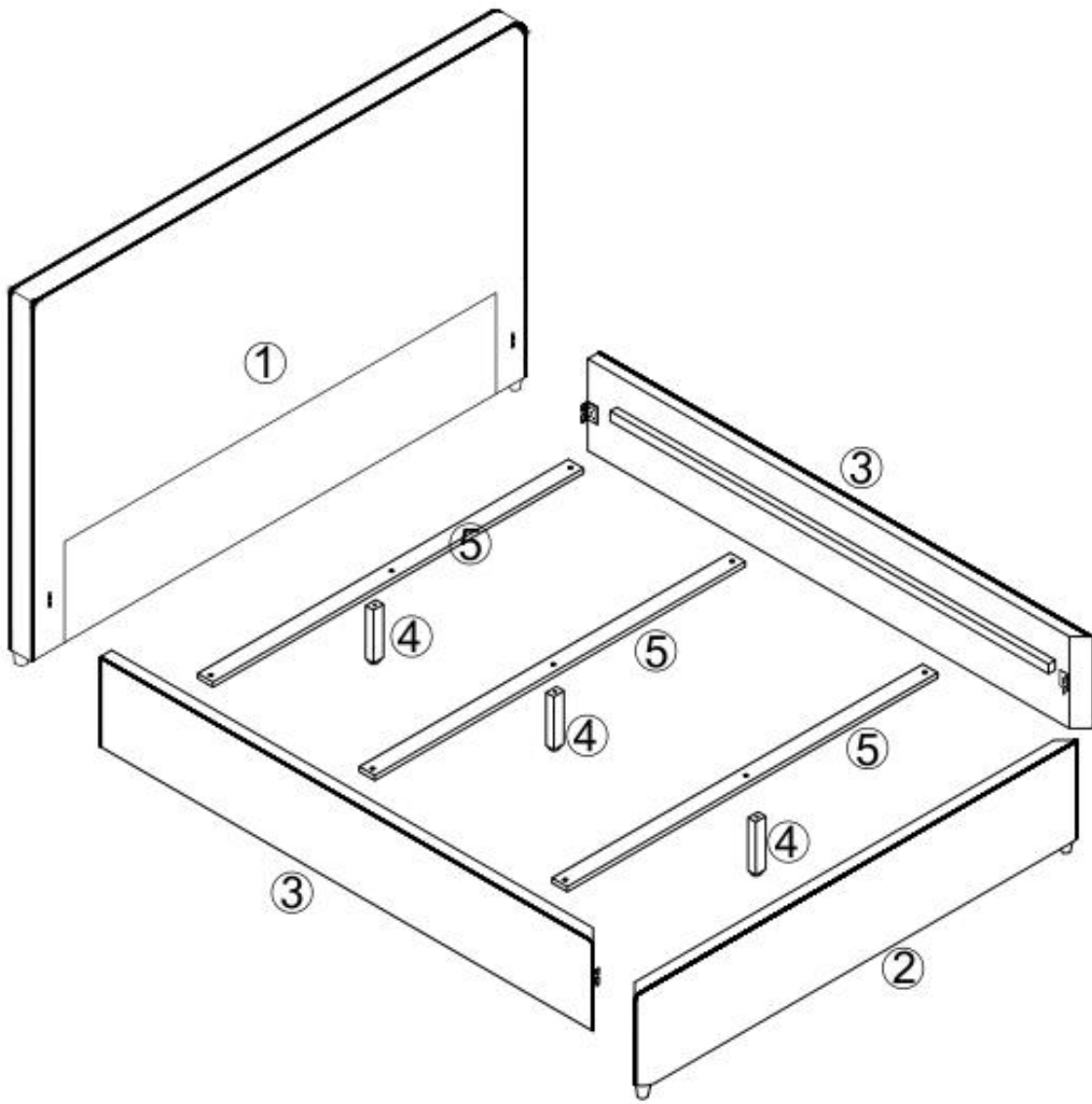



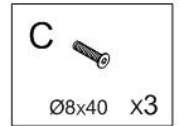
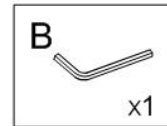
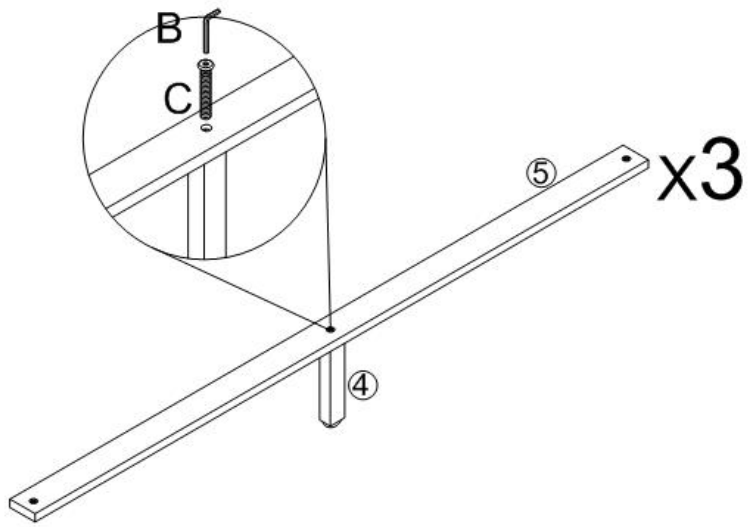
 20 MIN		
--	---	---

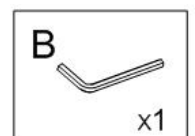
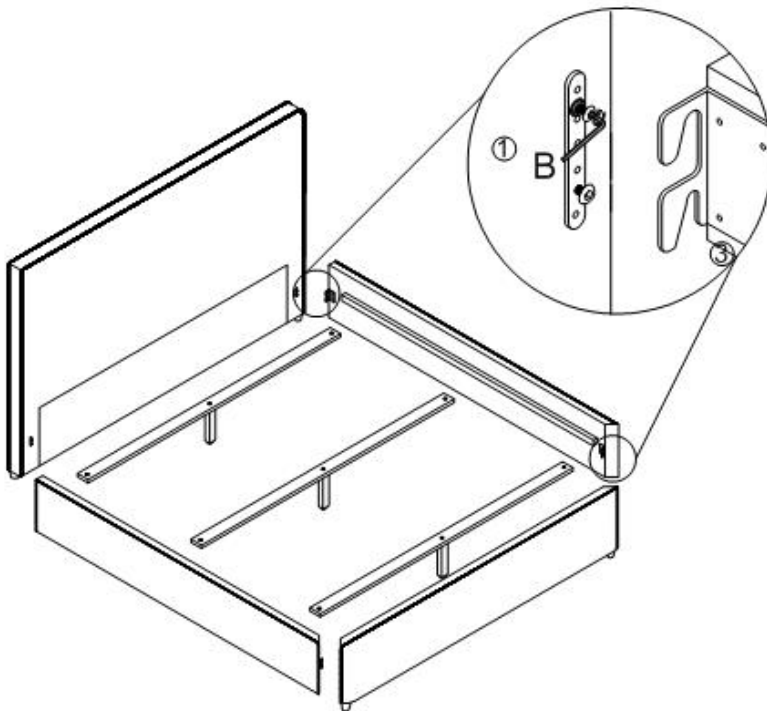


A  Ø4x30 x6	B  x1	C  Ø8x40 x3
---	---	---

①



②



③

