
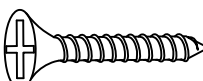
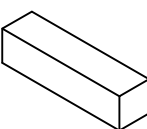
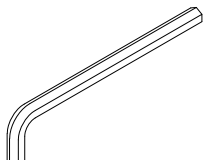
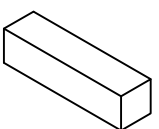
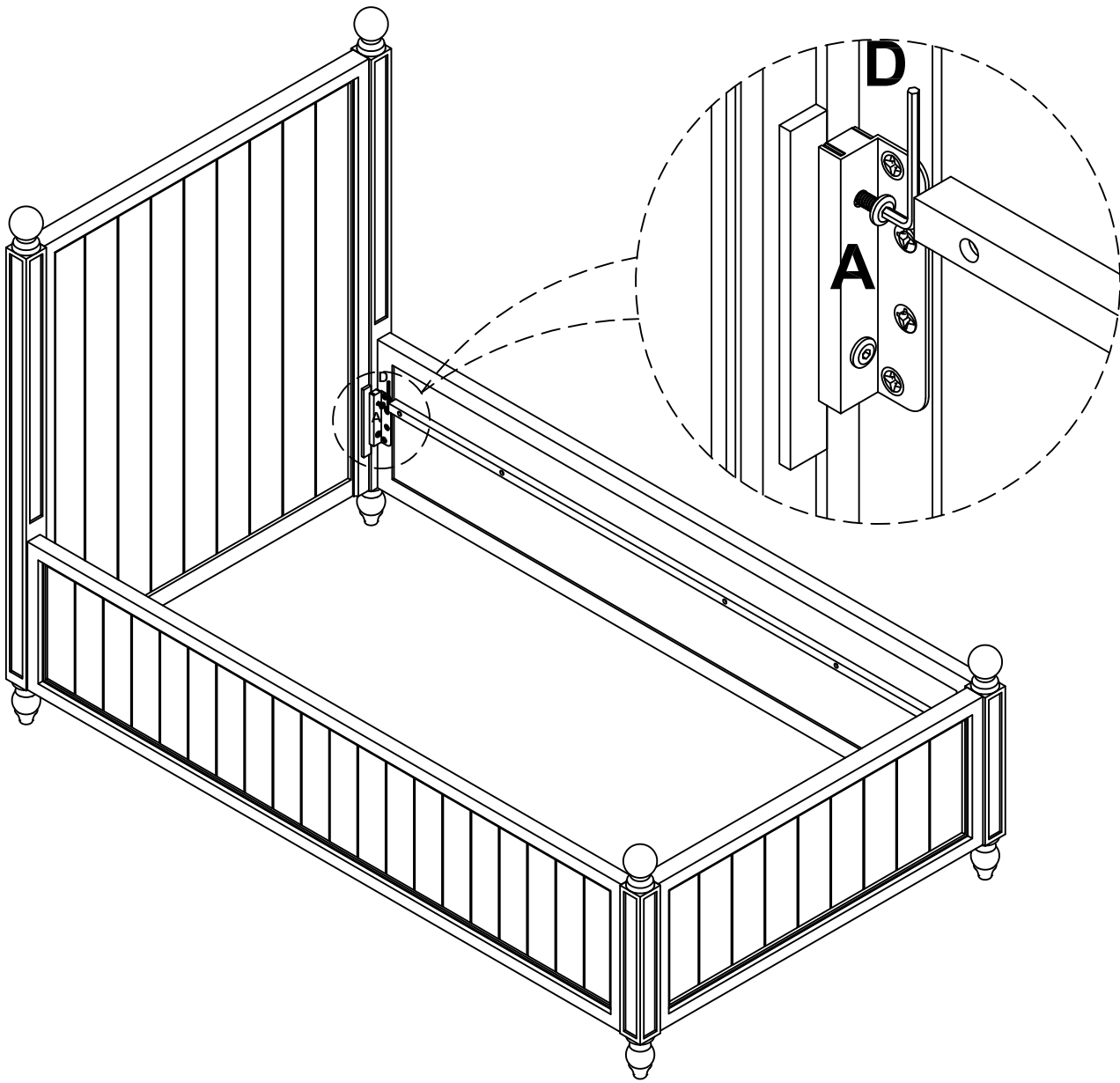
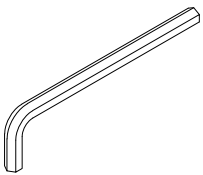



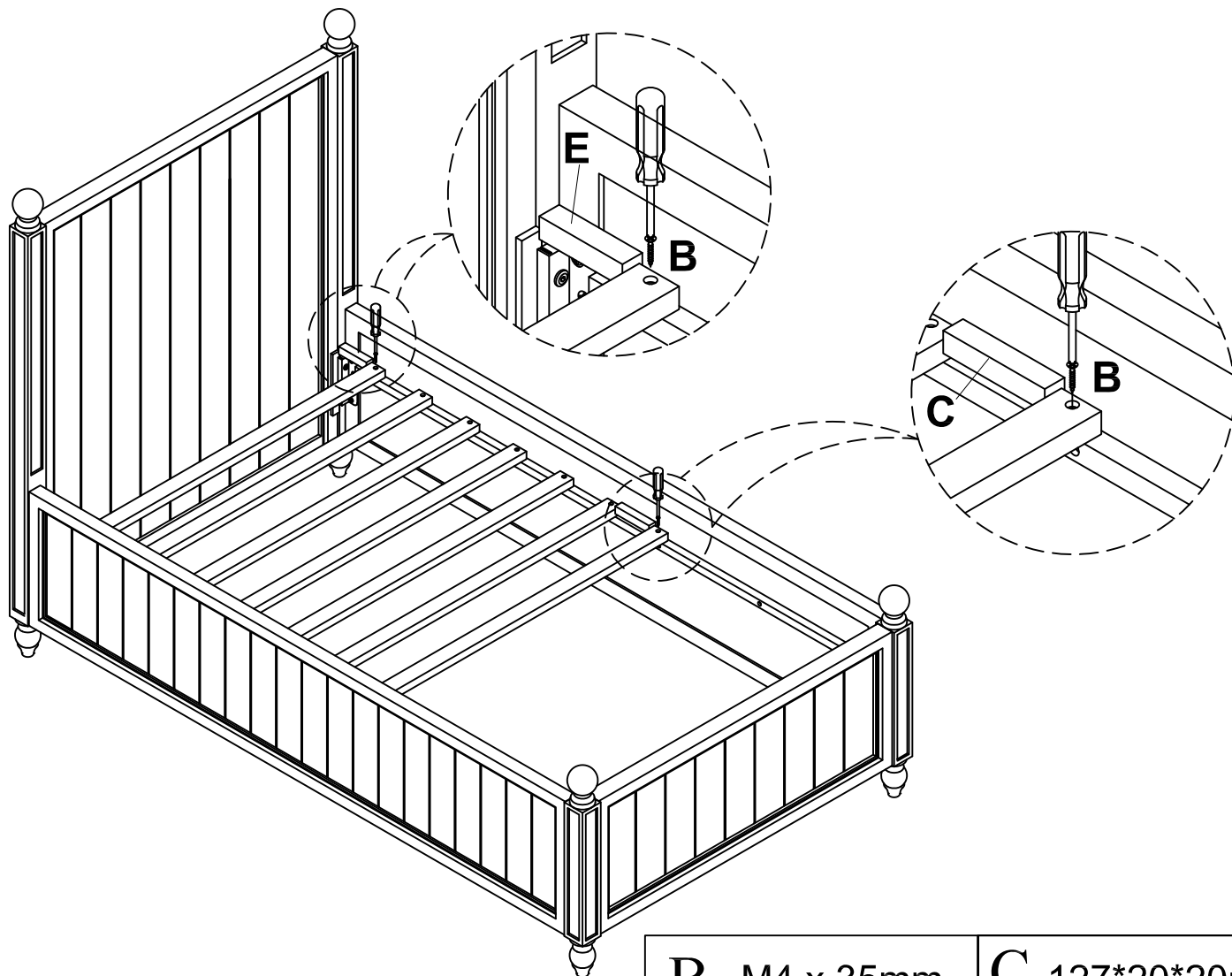
<b>A</b> Ø6 x 10  X8	<b>B</b> M4 x 35mm  X22	<b>C</b> 127*20*20mm  X2	<b>D</b> M4x13  X1	<b>E</b> 104*20*20mm  X2
---	--	--	---	---

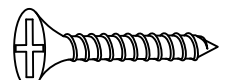
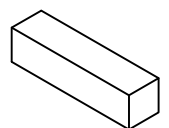
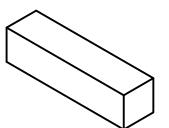
1



<b>D</b>	M4x13
	
	X1
<b>A</b>	Ø6 x 10
	
	X8

2



<b>B</b>	M4 x 35mm	<b>C</b>	127*20*20mm	<b>E</b>	104*20*20mm
					
	X22		X2		X2

3

