









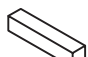
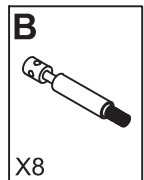
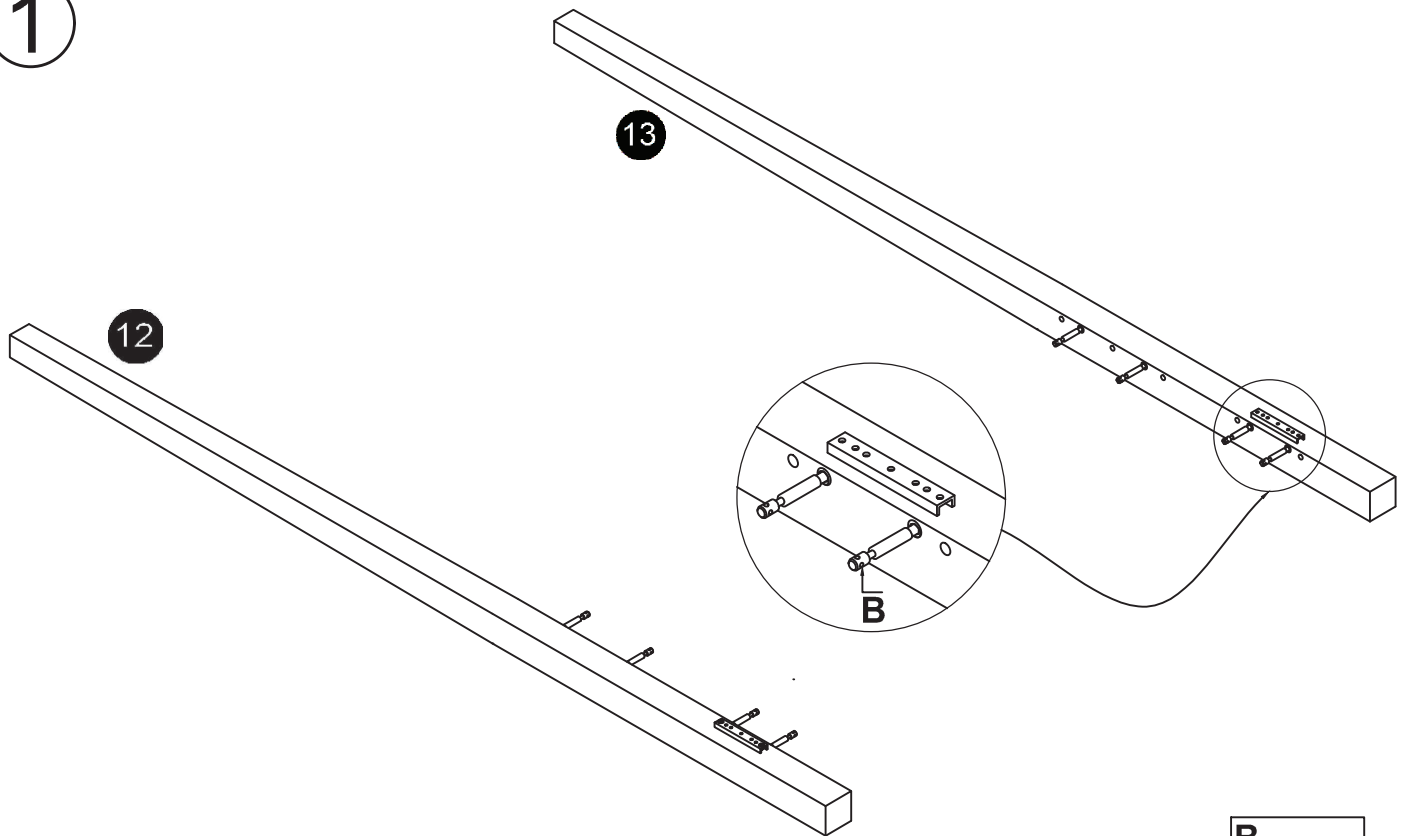


J Ø6 x 10  X8	K M4 x 35mm  X24
---	--

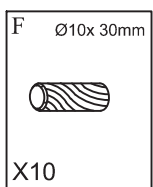
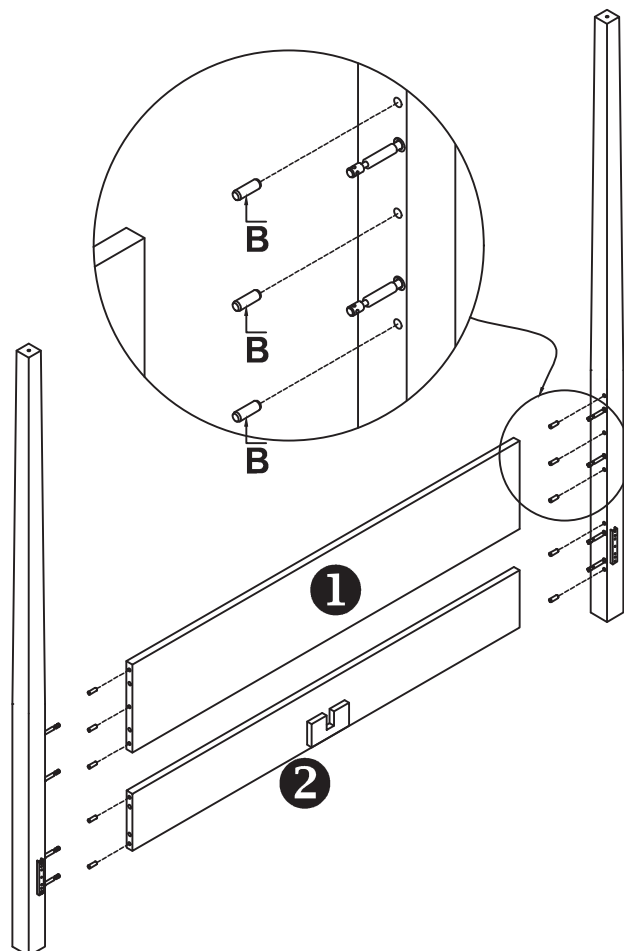
A M4x 40mm  X2	B  X12	C  X12	D M 4  X1	E M 3  X1	F Ø10x 30mm  X14	G Ø6x50mm  X4	H 50x20x20 mm  X2	I 120x20x20 mm  X2
--	---	---	---	---	--	---	---	--

V1 - 002211

1

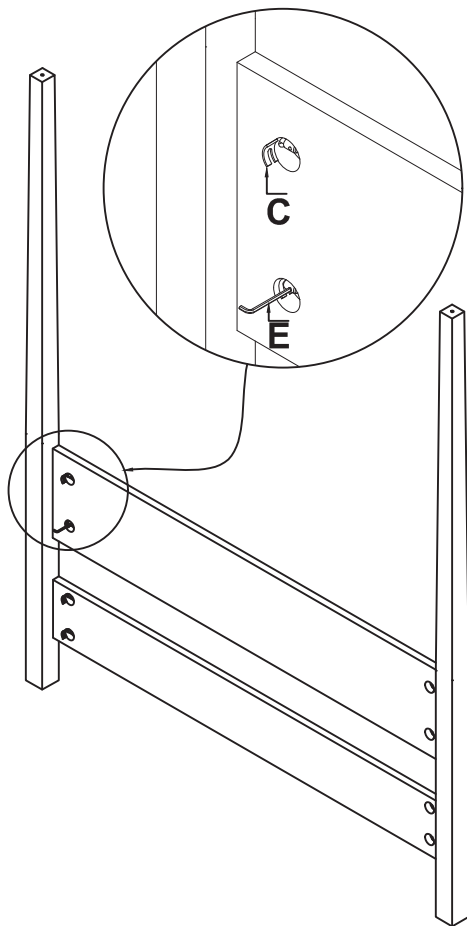




2



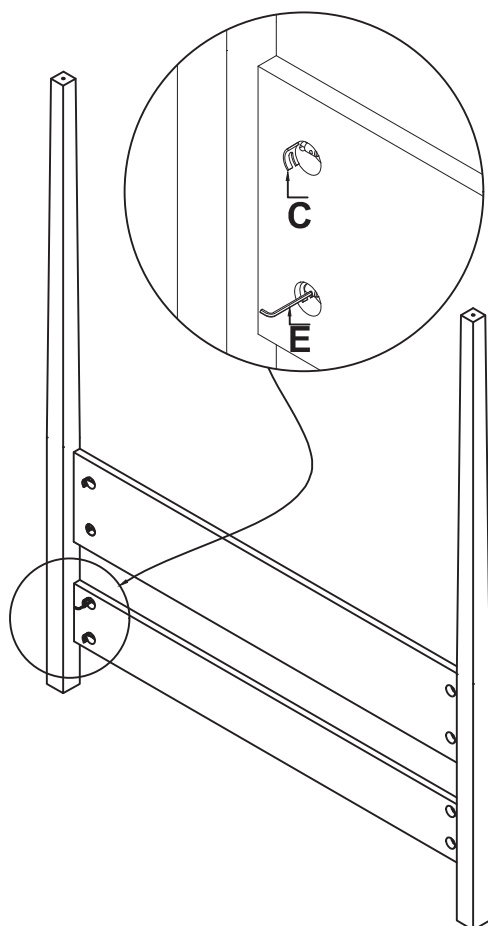
V1 - 002211


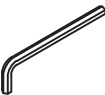
3



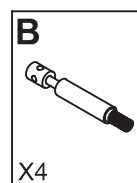
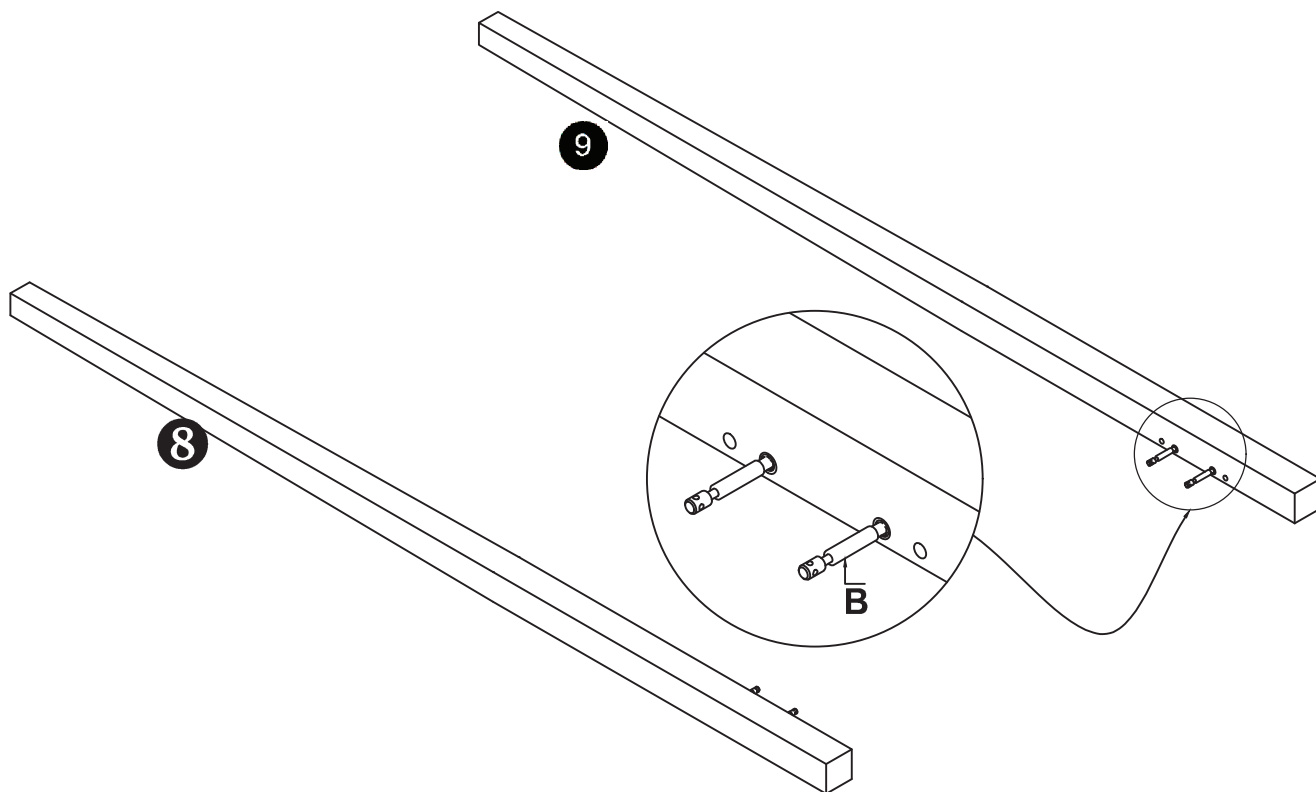
C	E M3
	
X4	X1

4

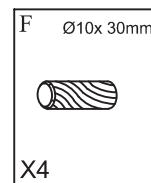
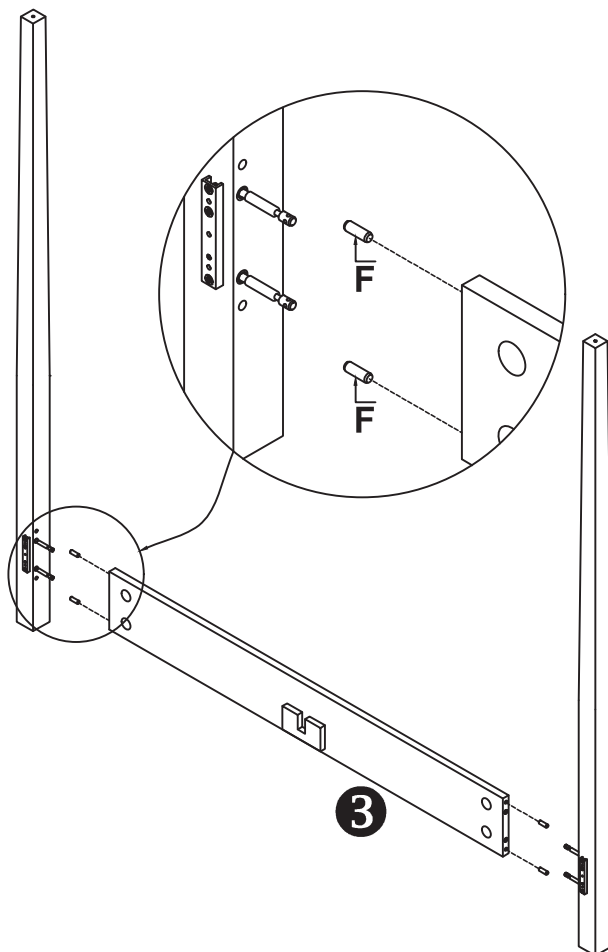


C	E M3
	
X4	X1

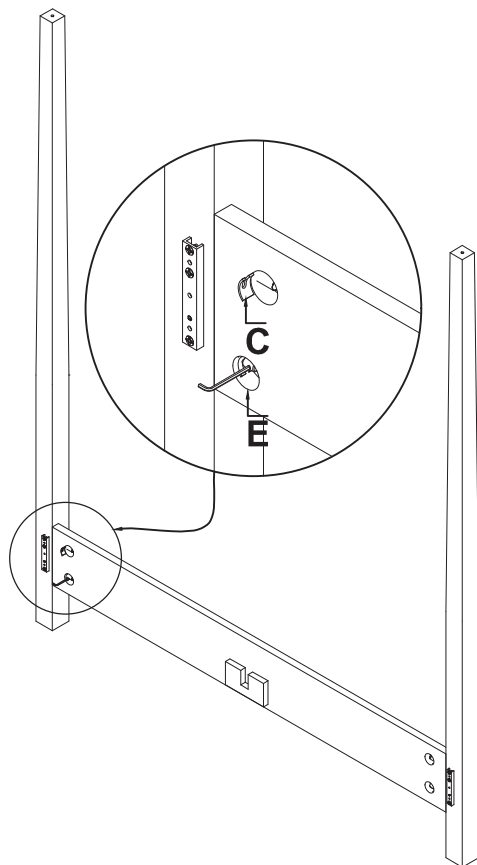
5





6

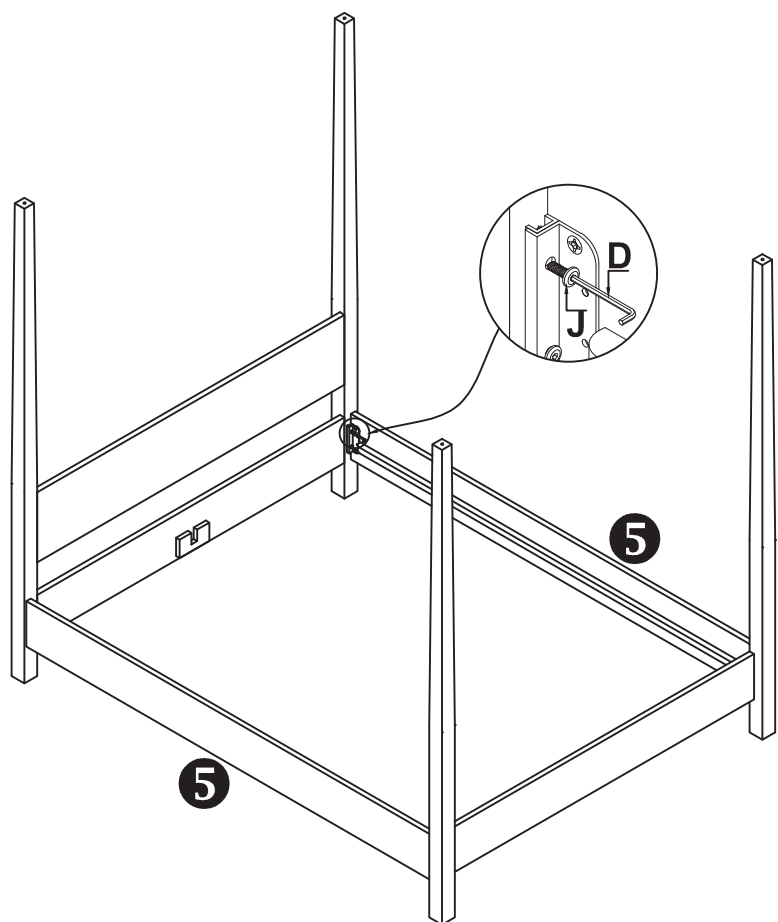




7



C	E M3
	
X4	X1

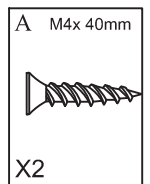
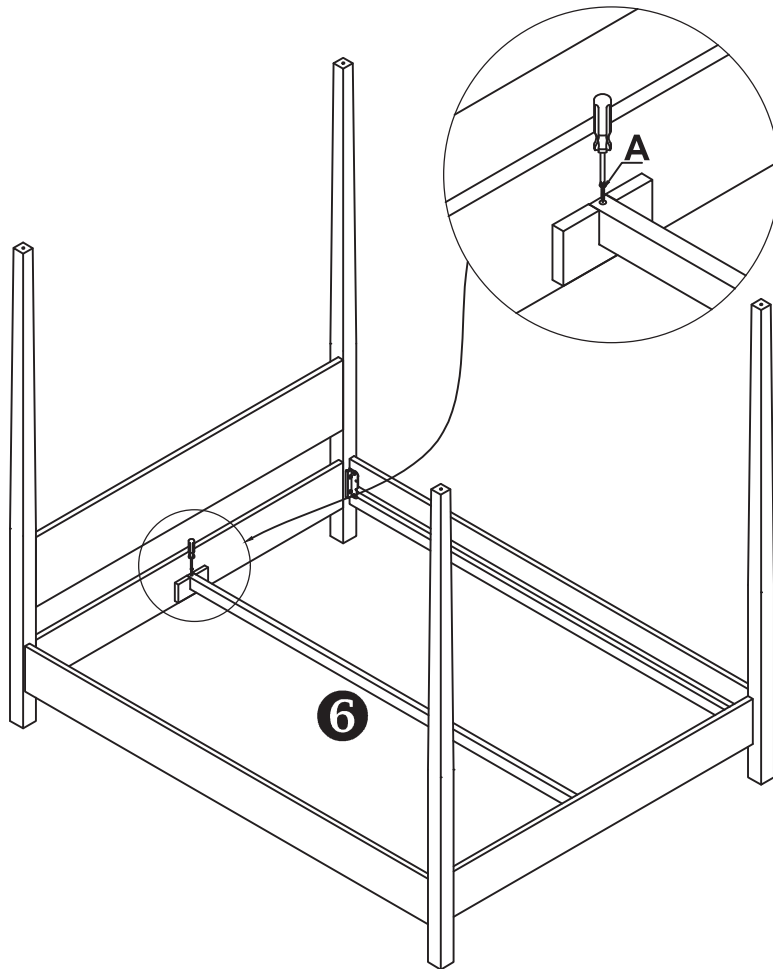
8



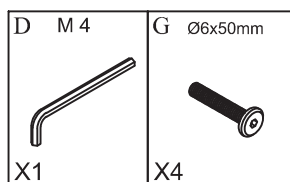
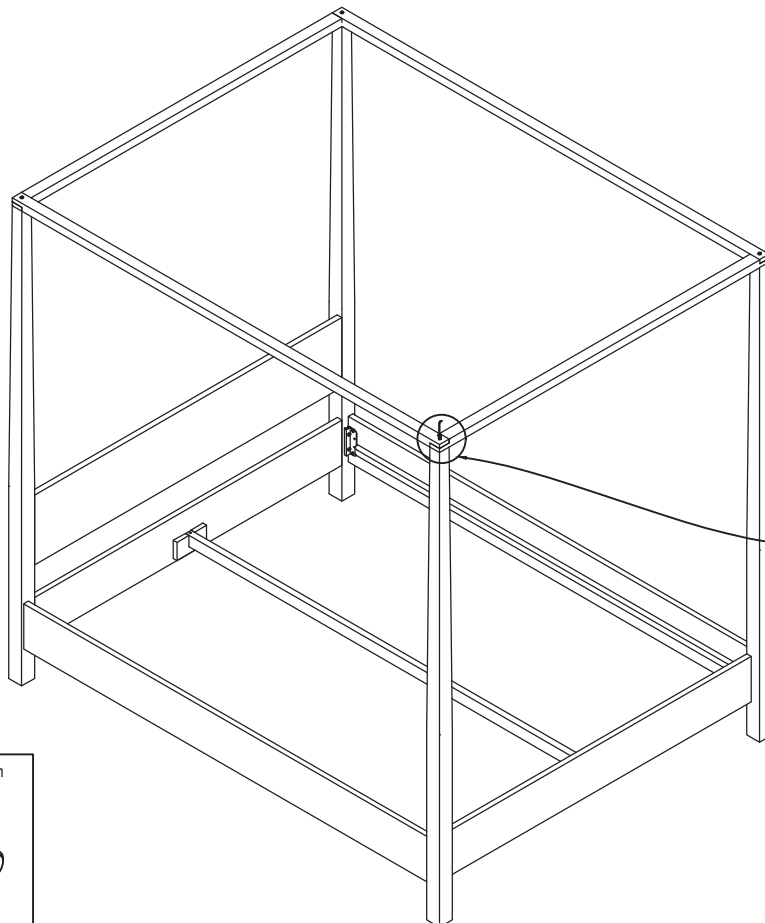
D M4	J Ø6 x 10
	
X1	X8

V1 - 002211

9

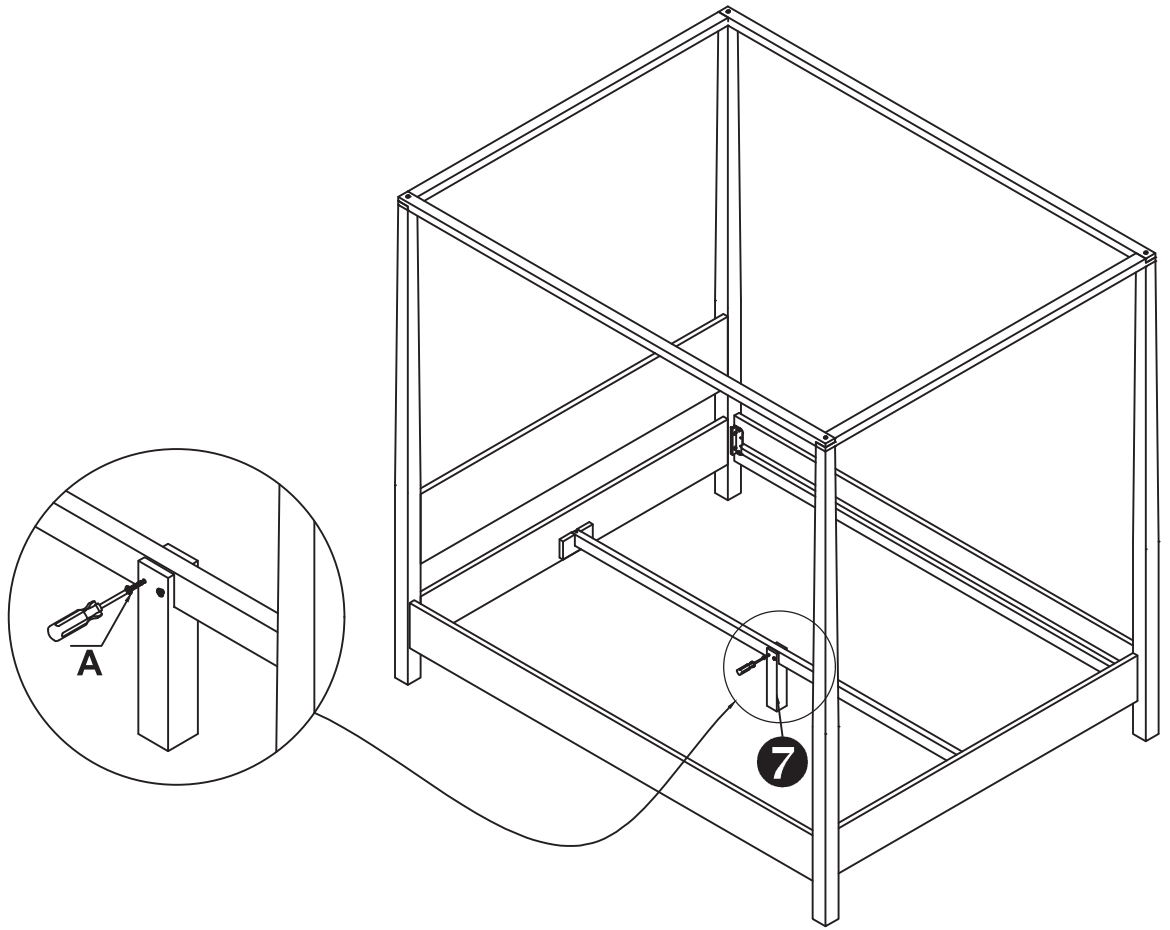



10



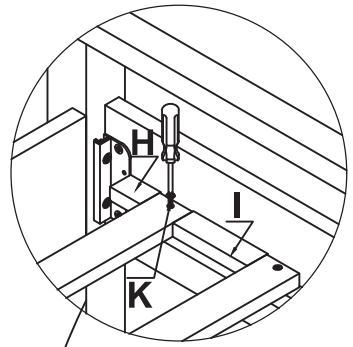
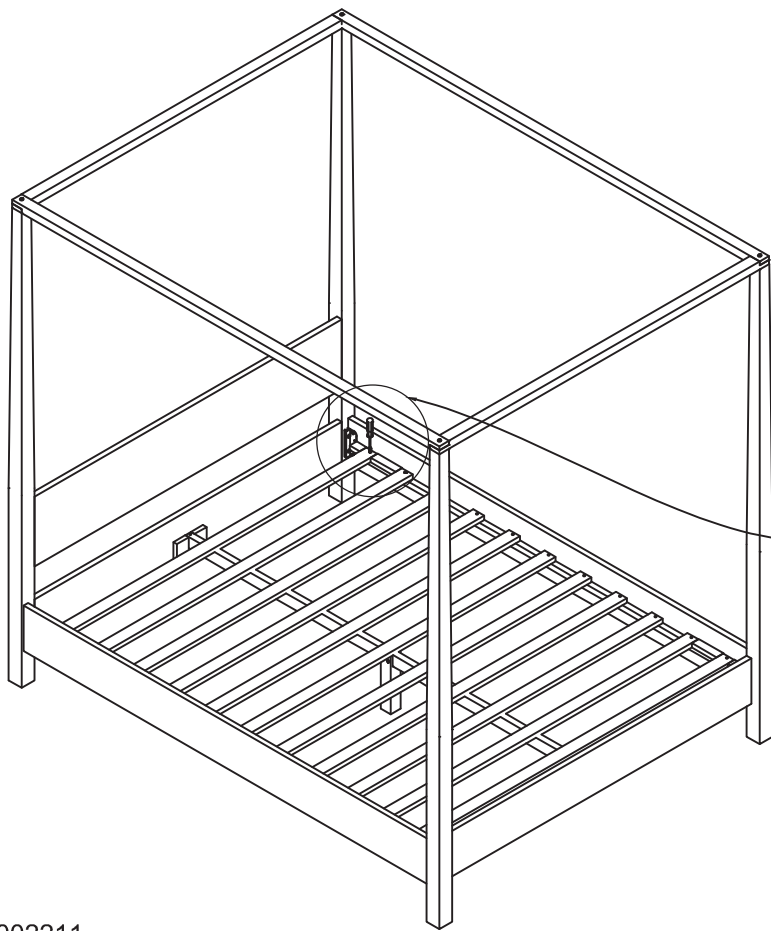
V1 - 002211


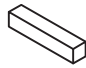

11



K M4x 35mm

X2

12



H 50x20x20 mm  X2	I 120x20x20 mm  X2	K M4 x 35mm  X22
--	---	---