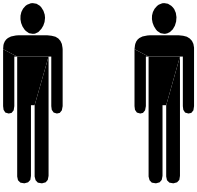
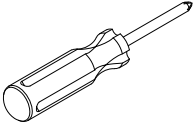
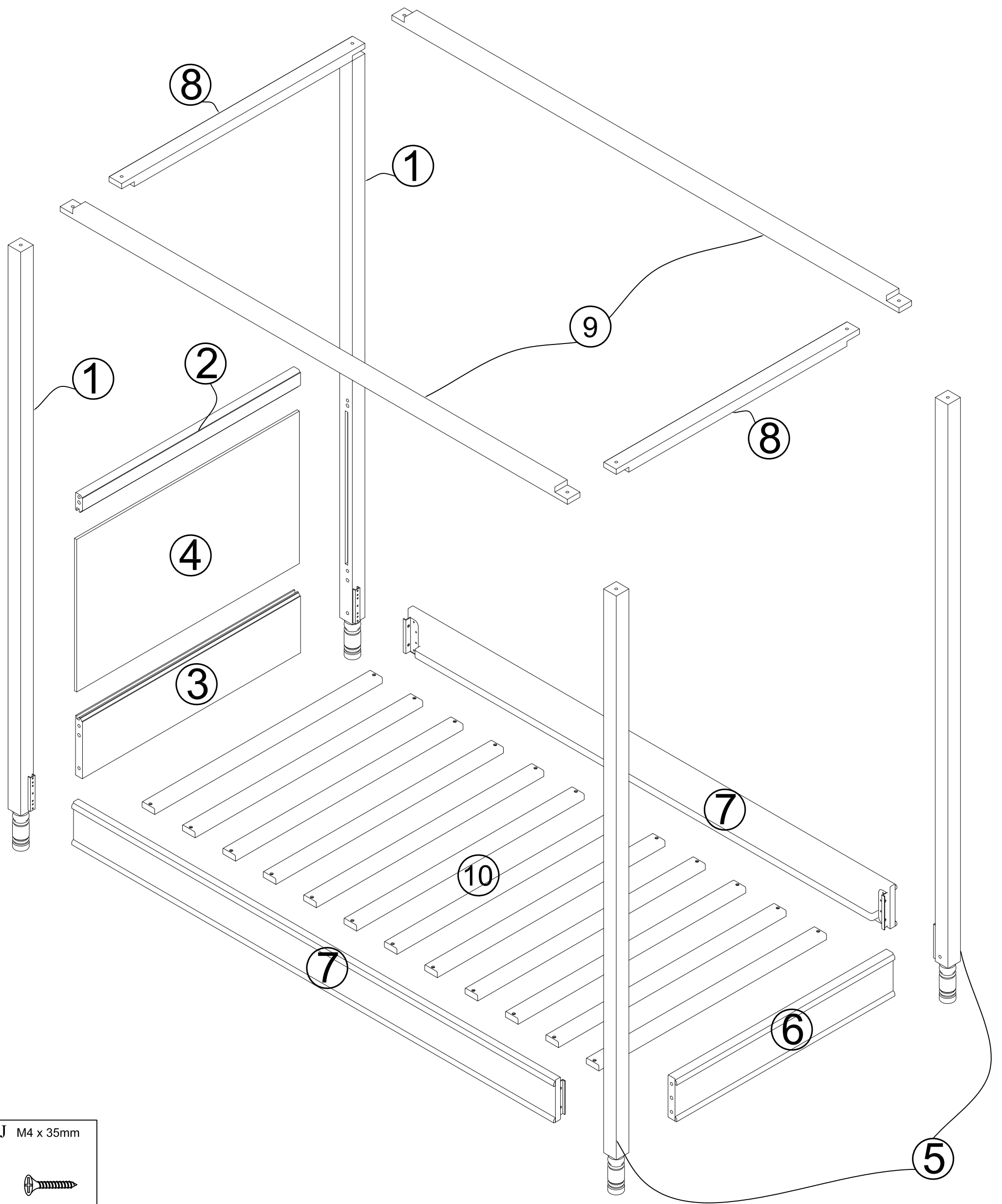
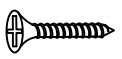
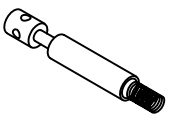


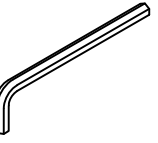
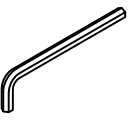
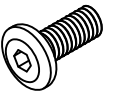

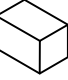
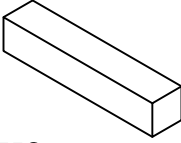
 <p>30 MIN</p>		
--	---	---



J M4 x 35mm

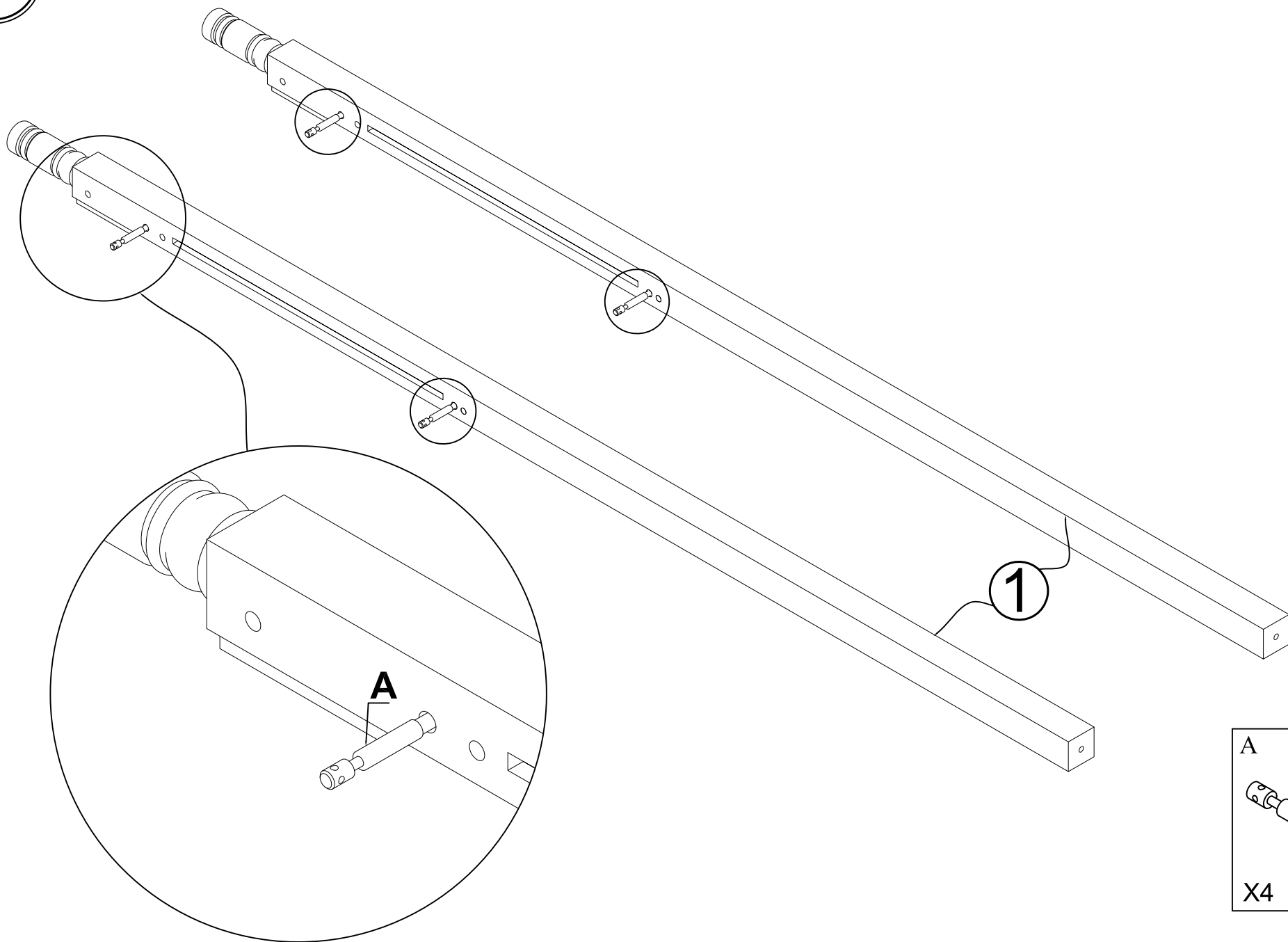


X24

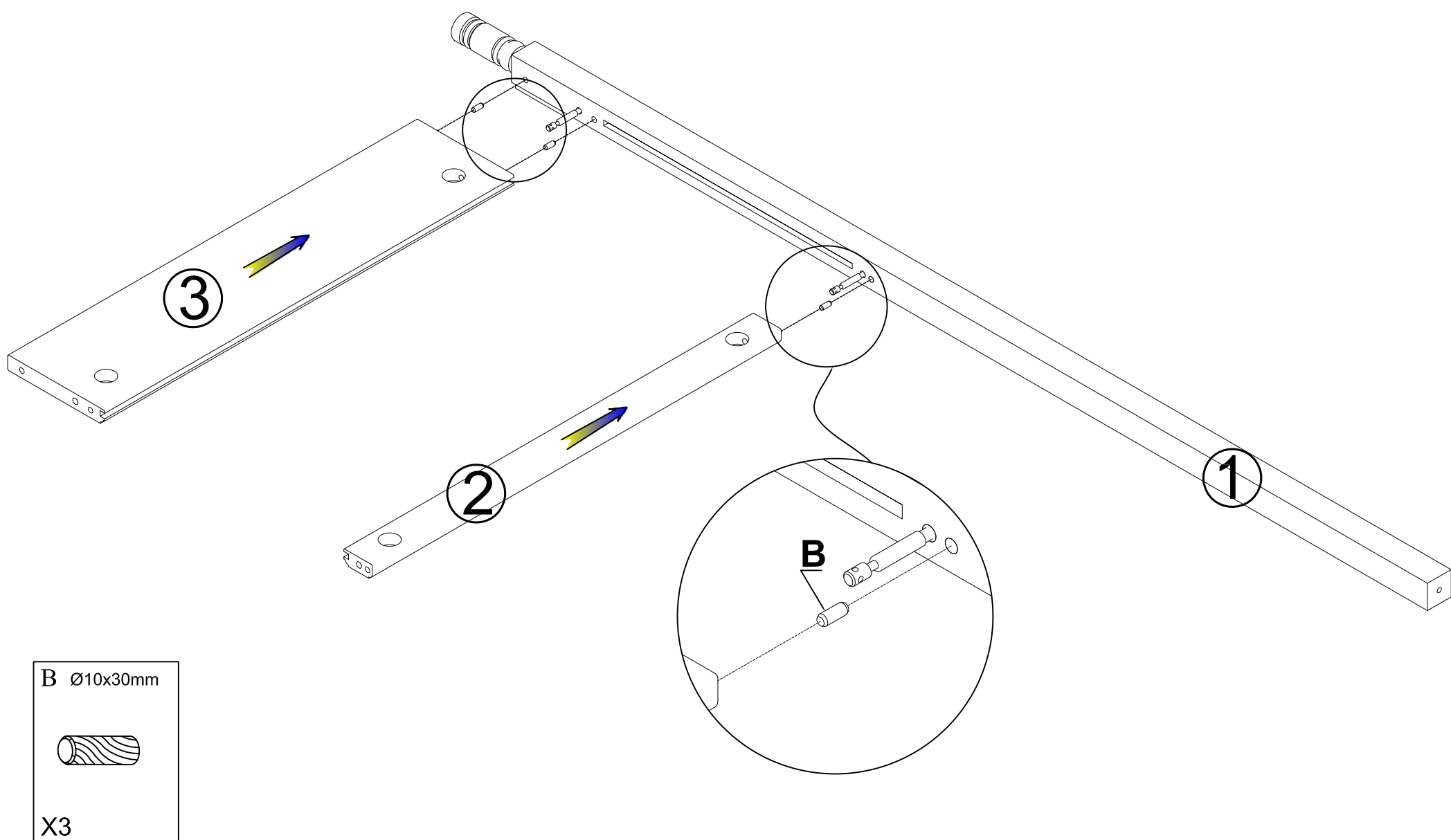
<p>A</p>  <p>X6</p>	<p>B Ø10x30mm</p>  <p>X10</p>	<p>C</p>  <p>X6</p>	<p>D M4</p>  <p>X1</p>	<p>E M3</p>  <p>X1</p>	<p>F Ø6 x 10</p>  <p>X8</p>	<p>G Ø6x55mm</p>  <p>X4</p>	<p>H 38x20x20mm</p>  <p>X2</p>	<p>I 110x20x20 mm</p>  <p>X2</p>
--	--	--	---	--	--	--	---	---

V1 - 002211

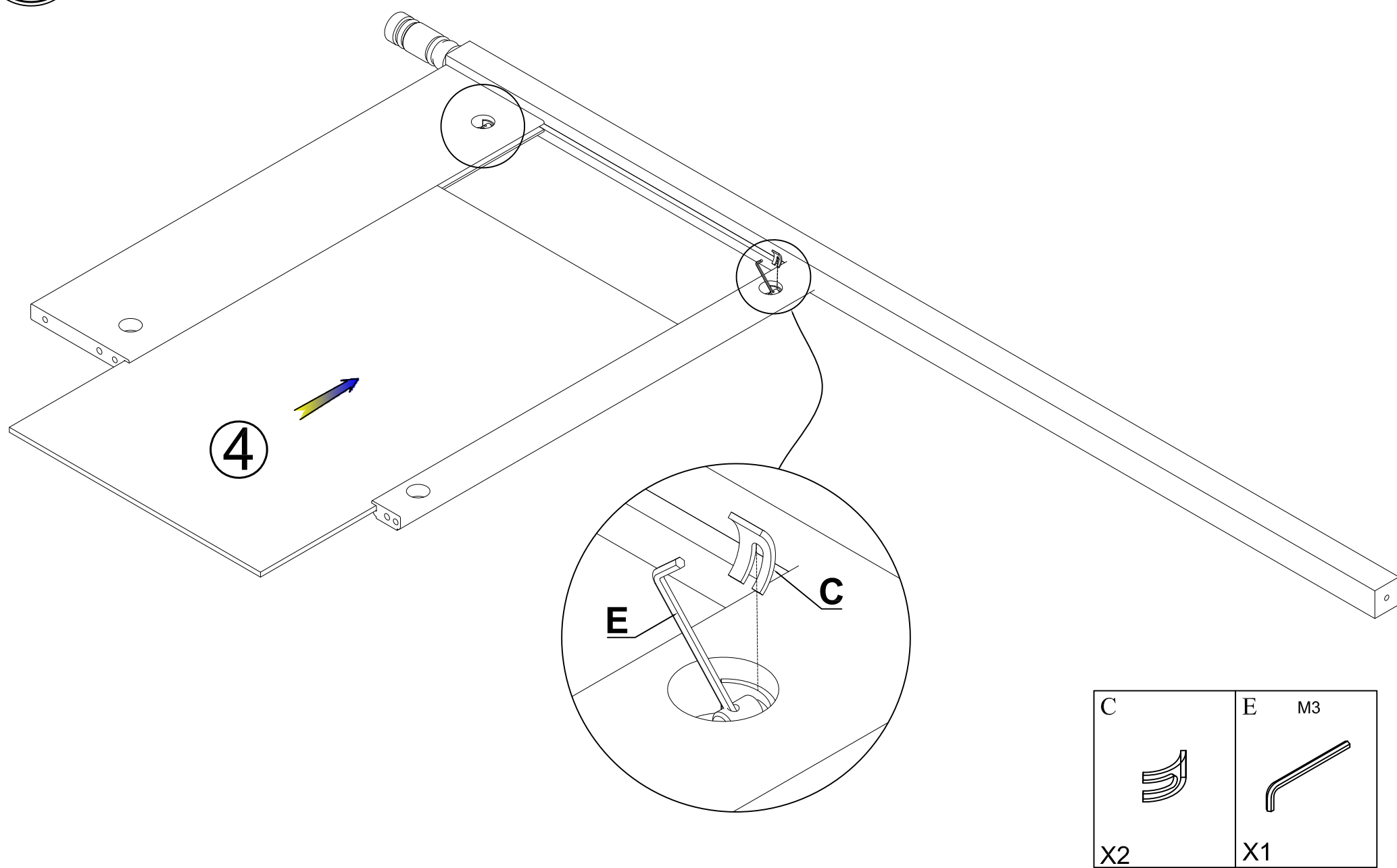
1



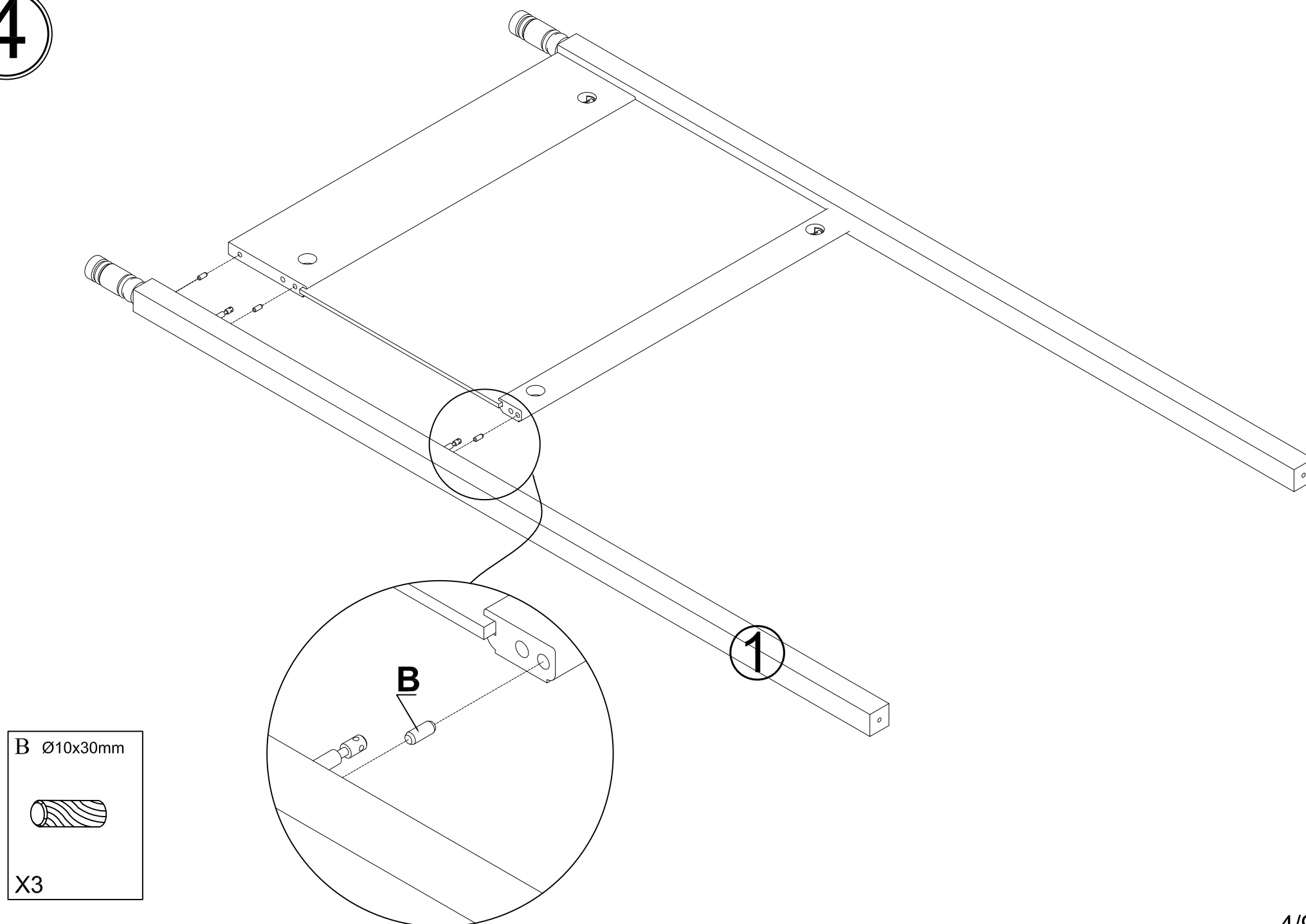
2



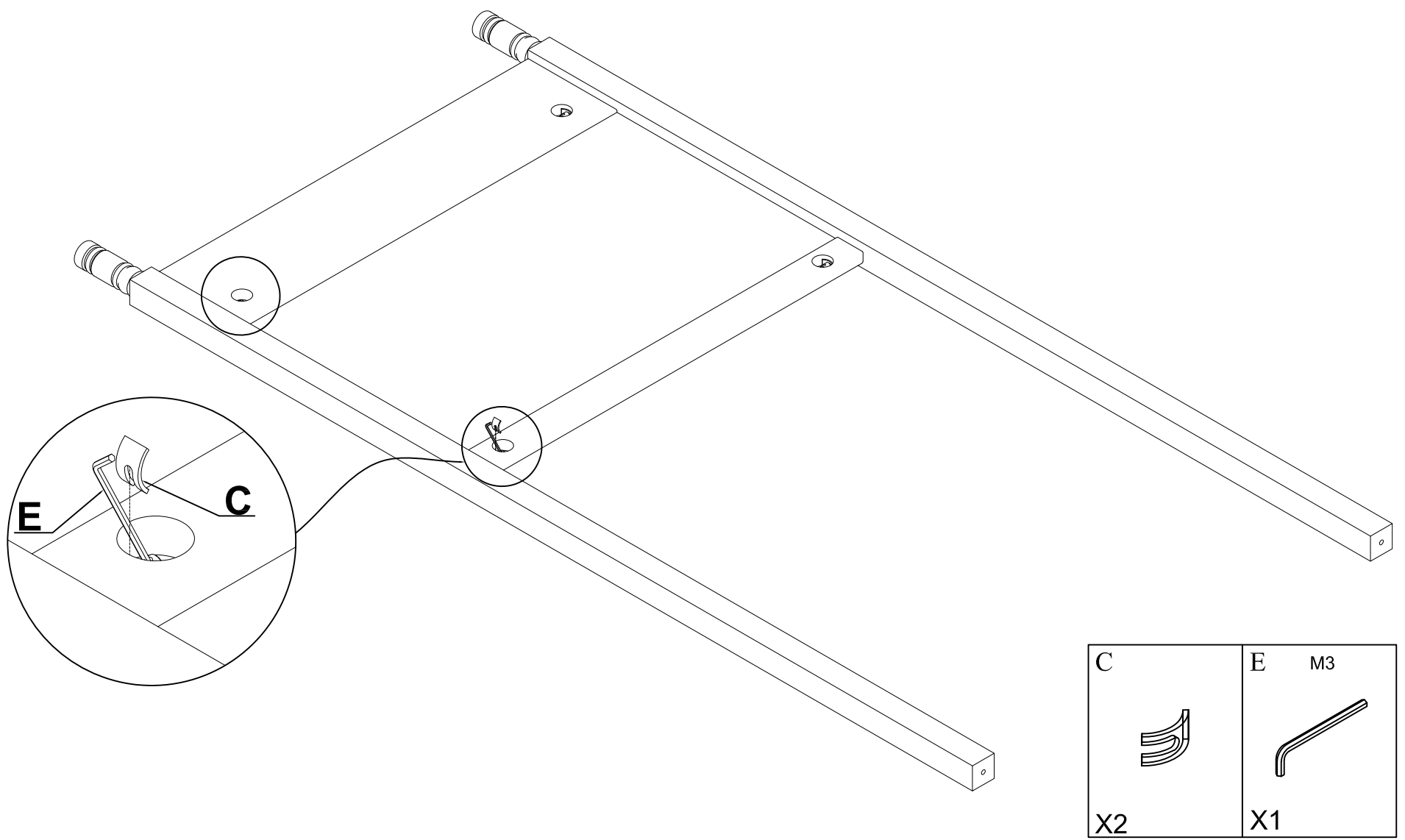
3



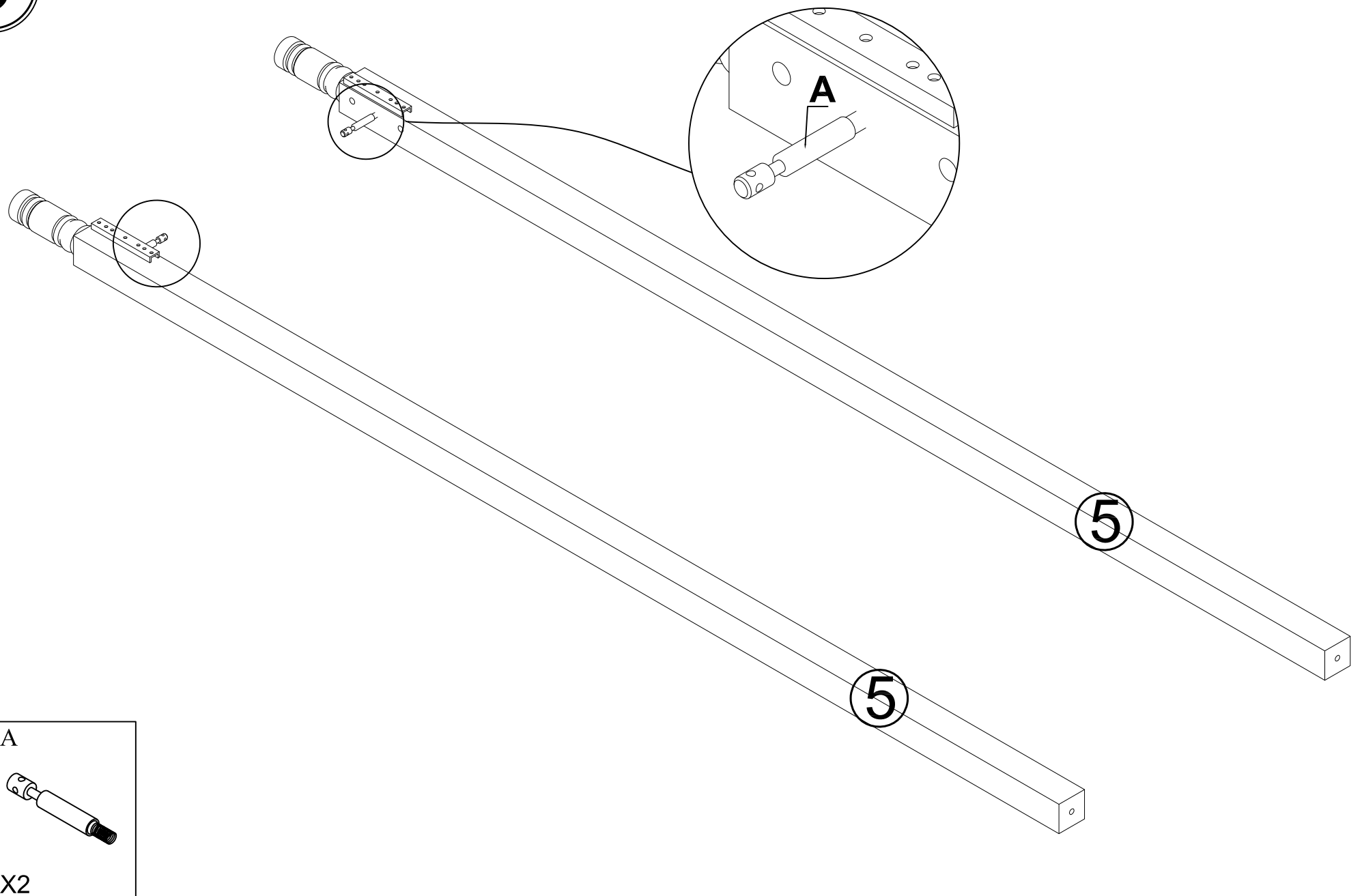
4



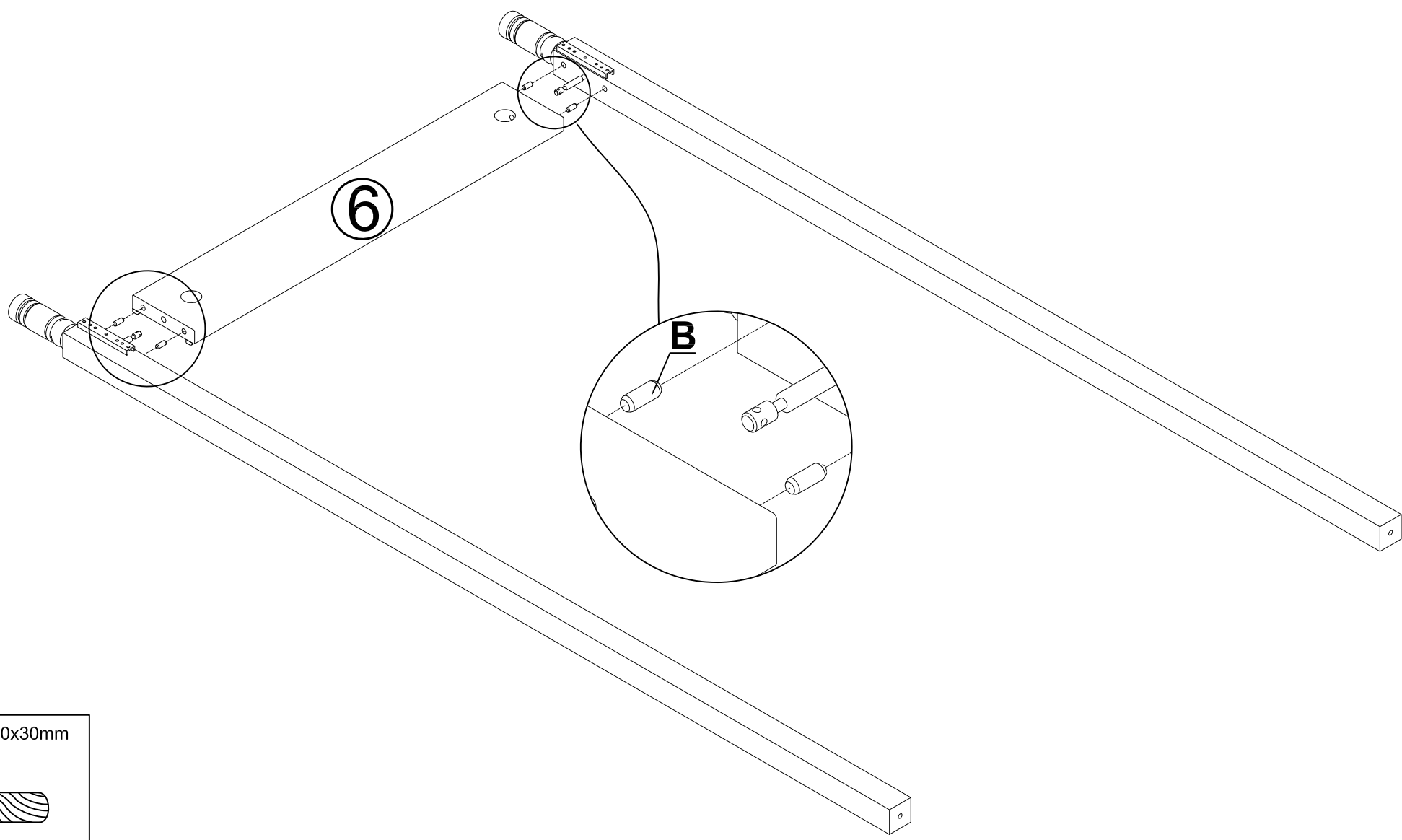
5



6



7

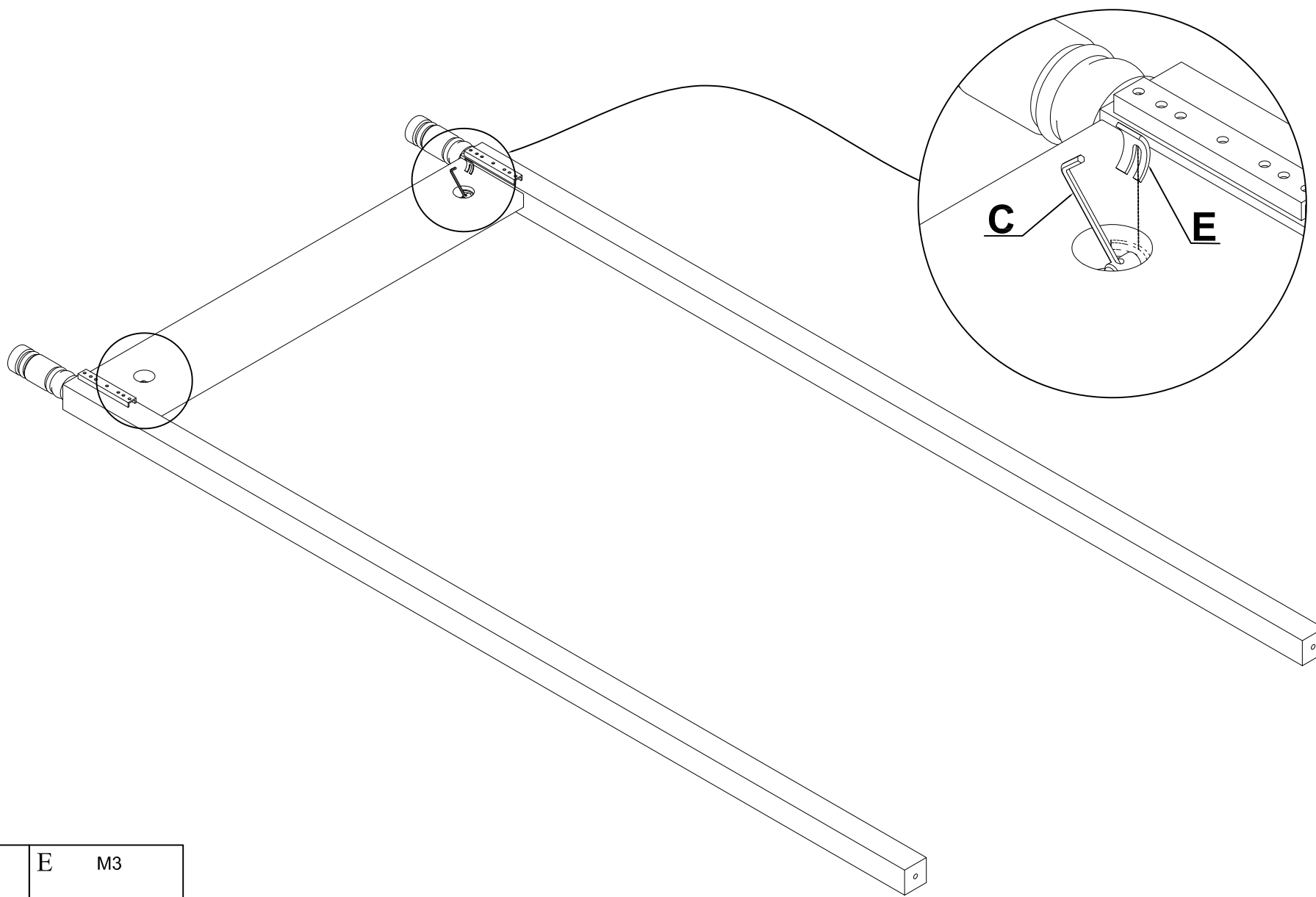


B Ø10x30mm



X4

8



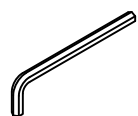
C



X2

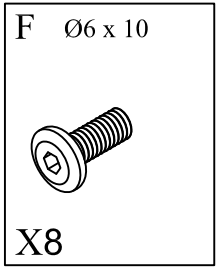
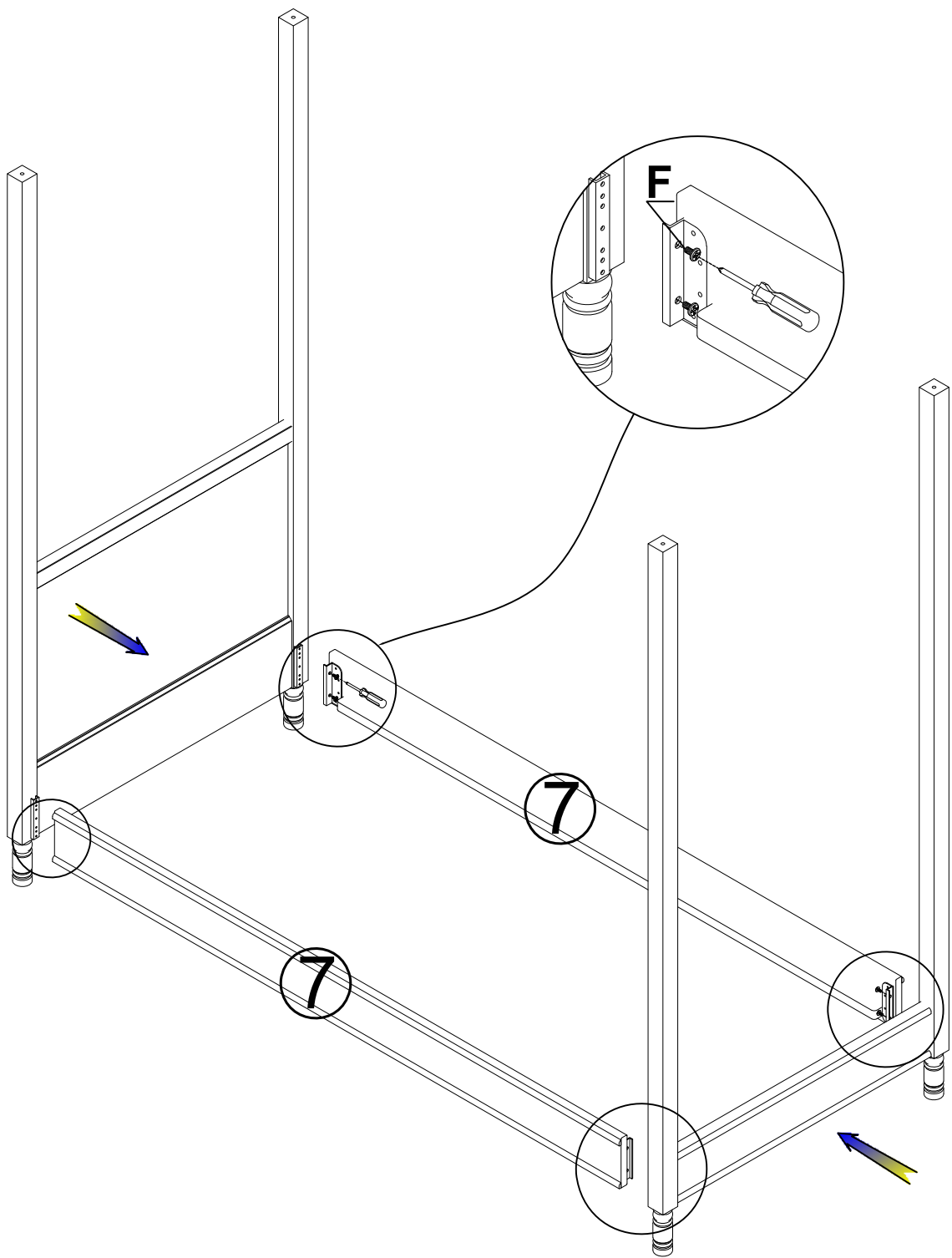
E

M3

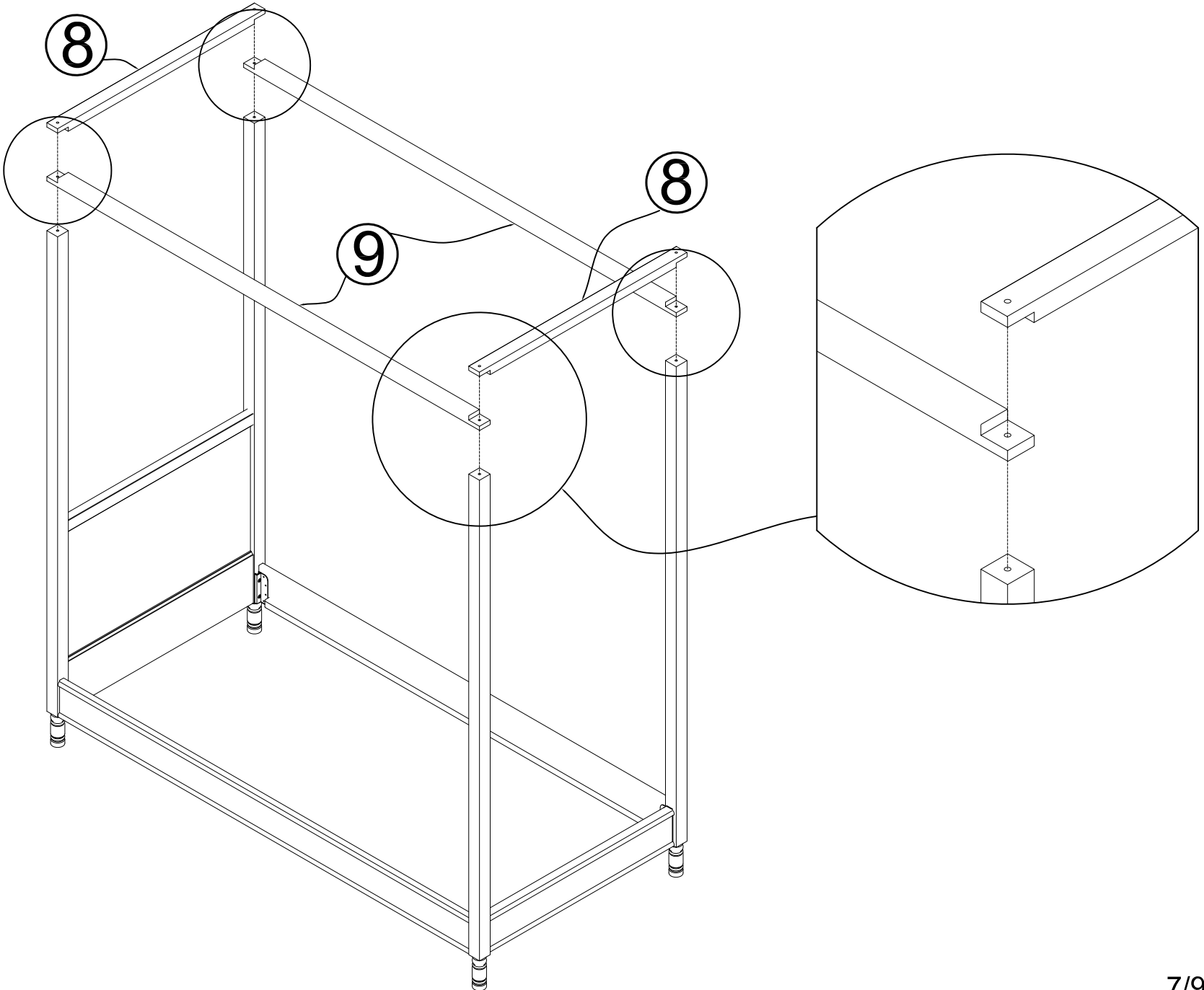


X1

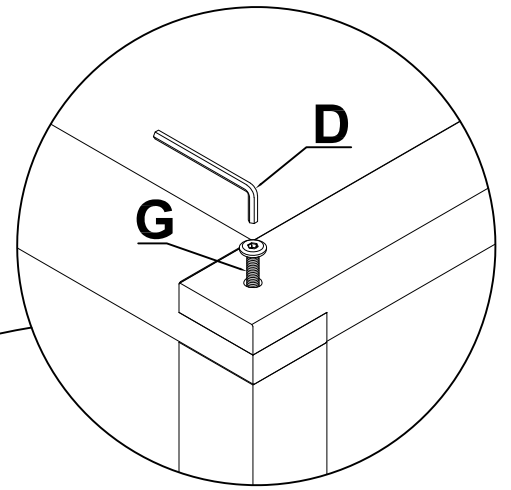
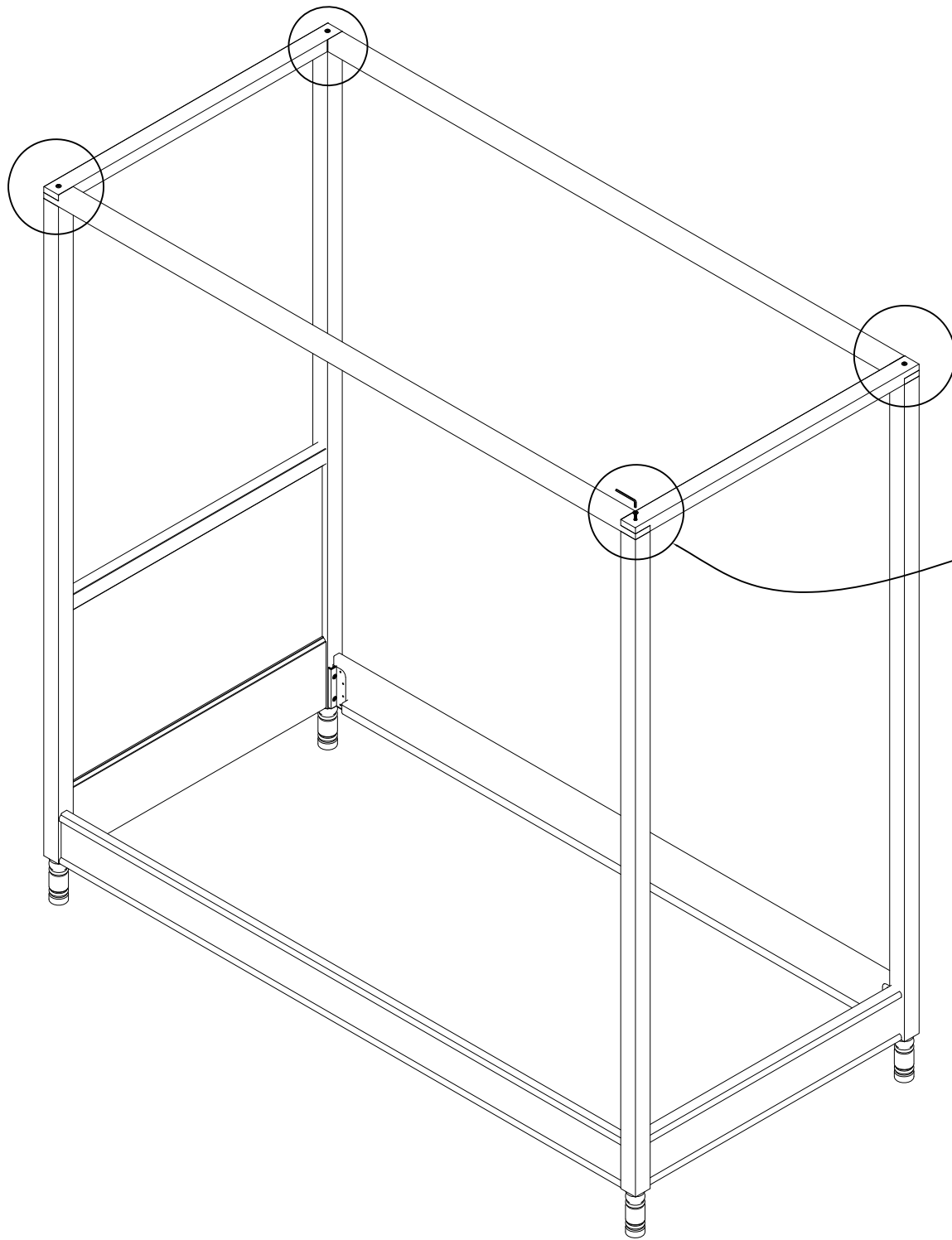
9



10

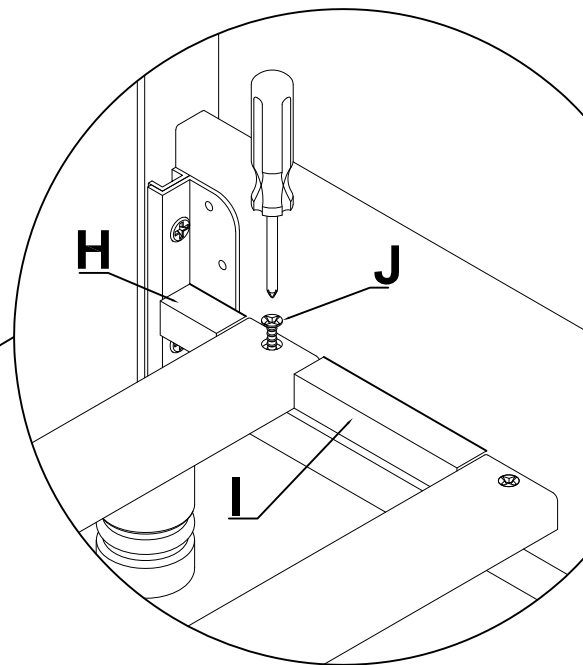
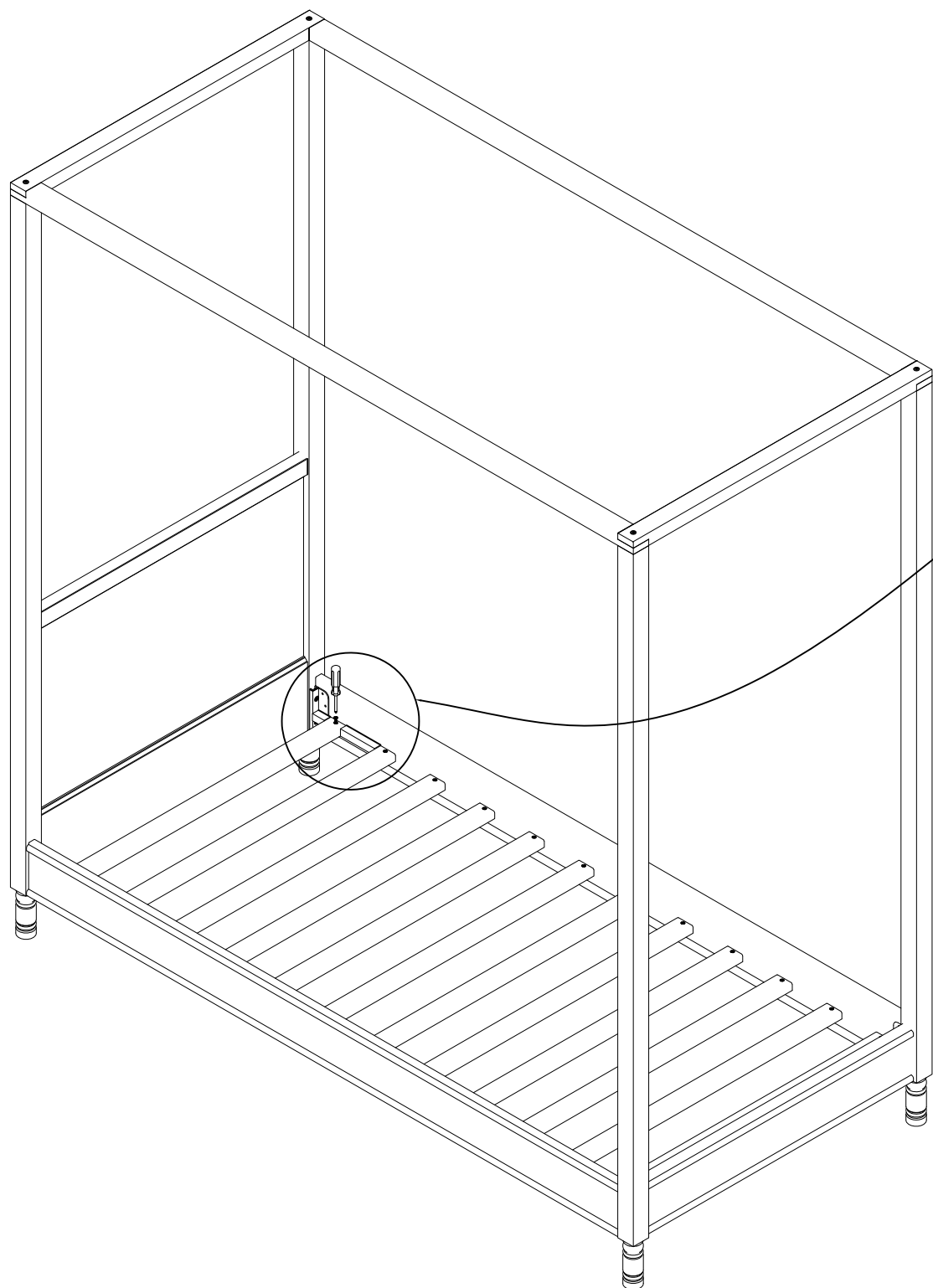


11



D M 4	G Ø6x55mm
X1	X4

12



H 38x20x20mm	I 110x20x20 mm	J M4 x 35mm
X2	X2	X24

13

