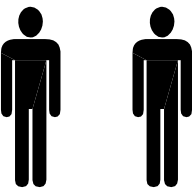
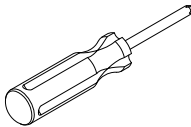
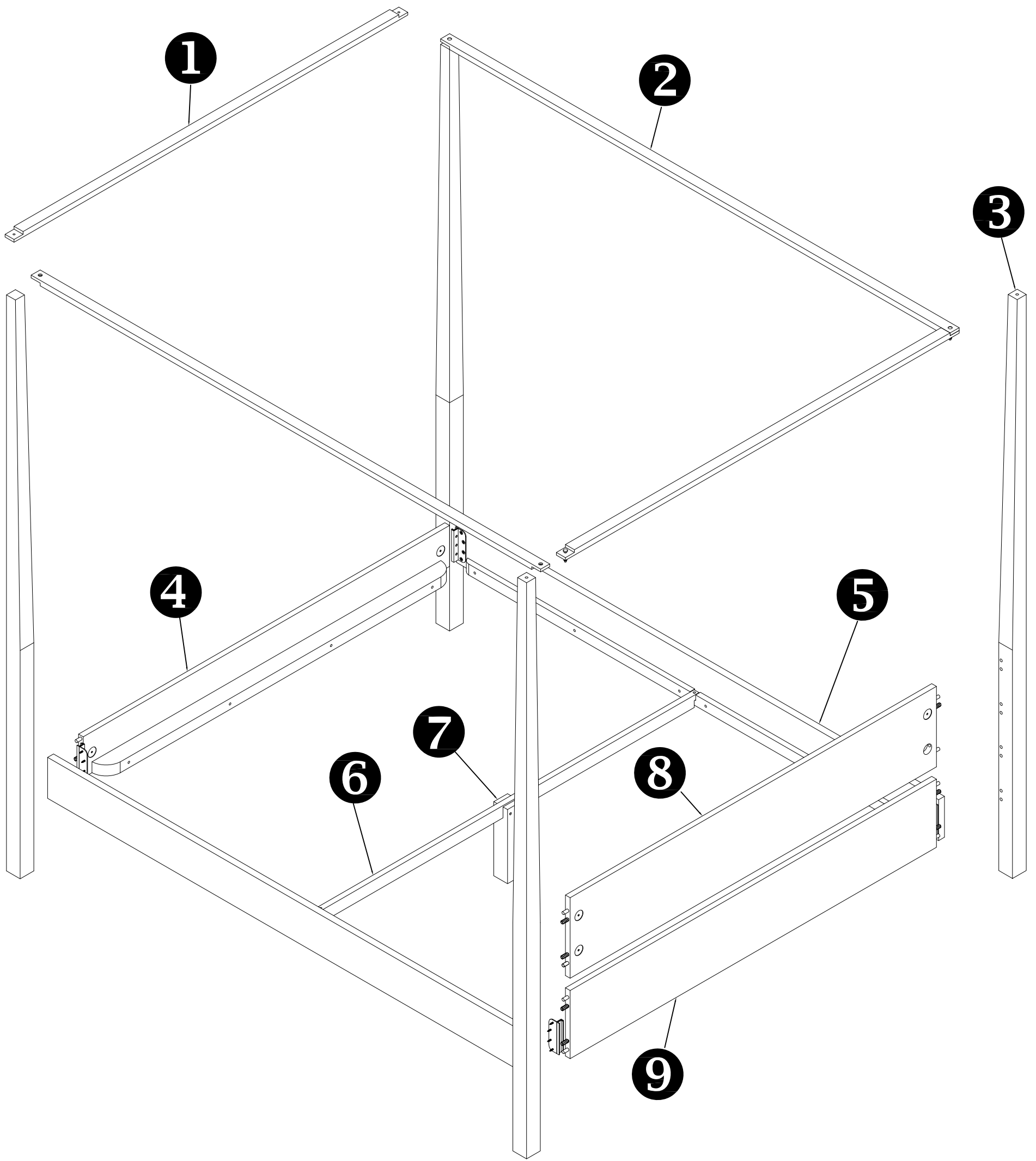


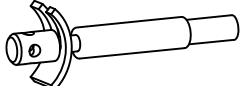
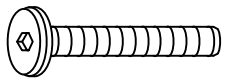
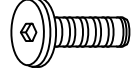
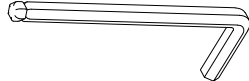
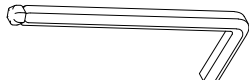

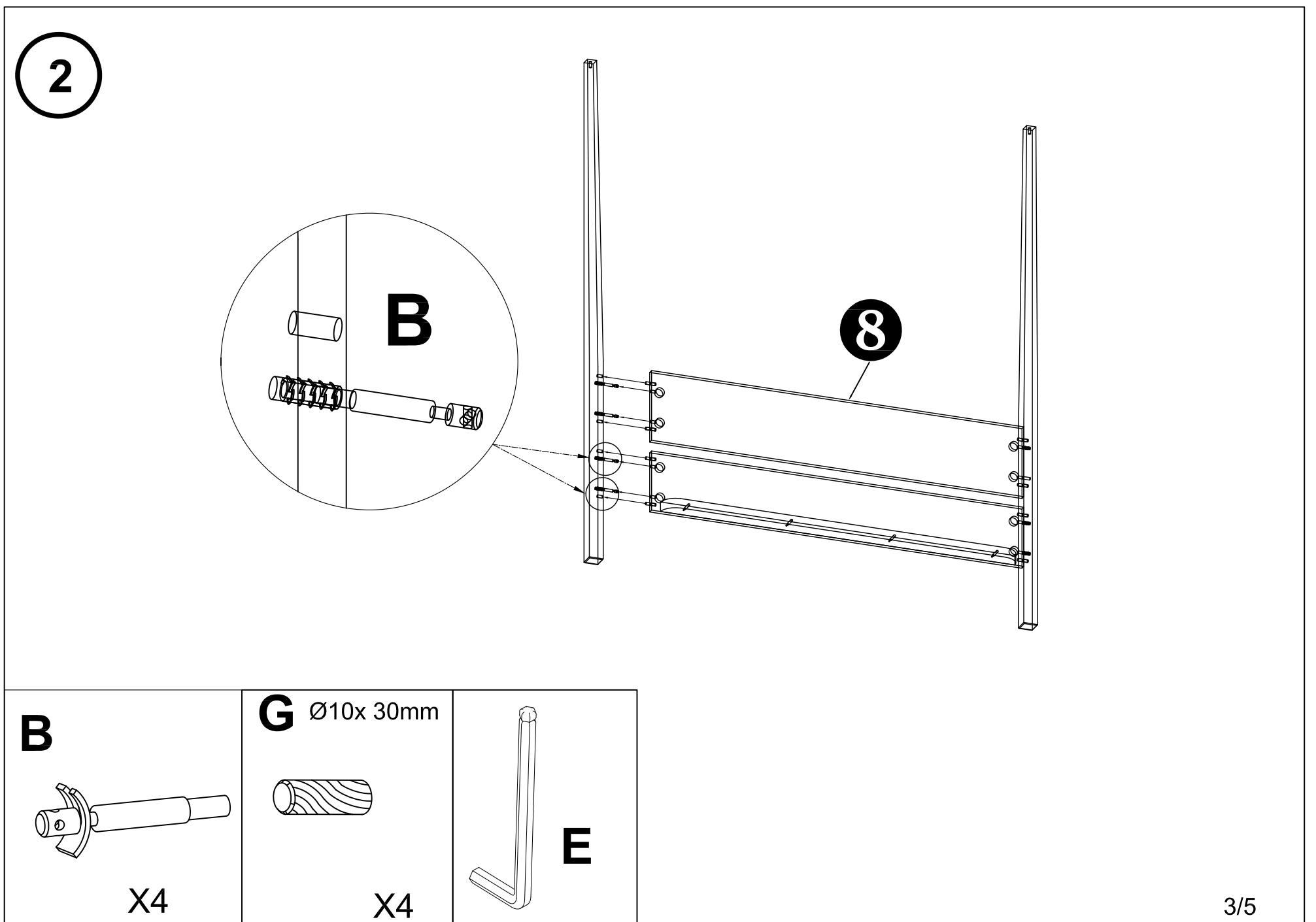
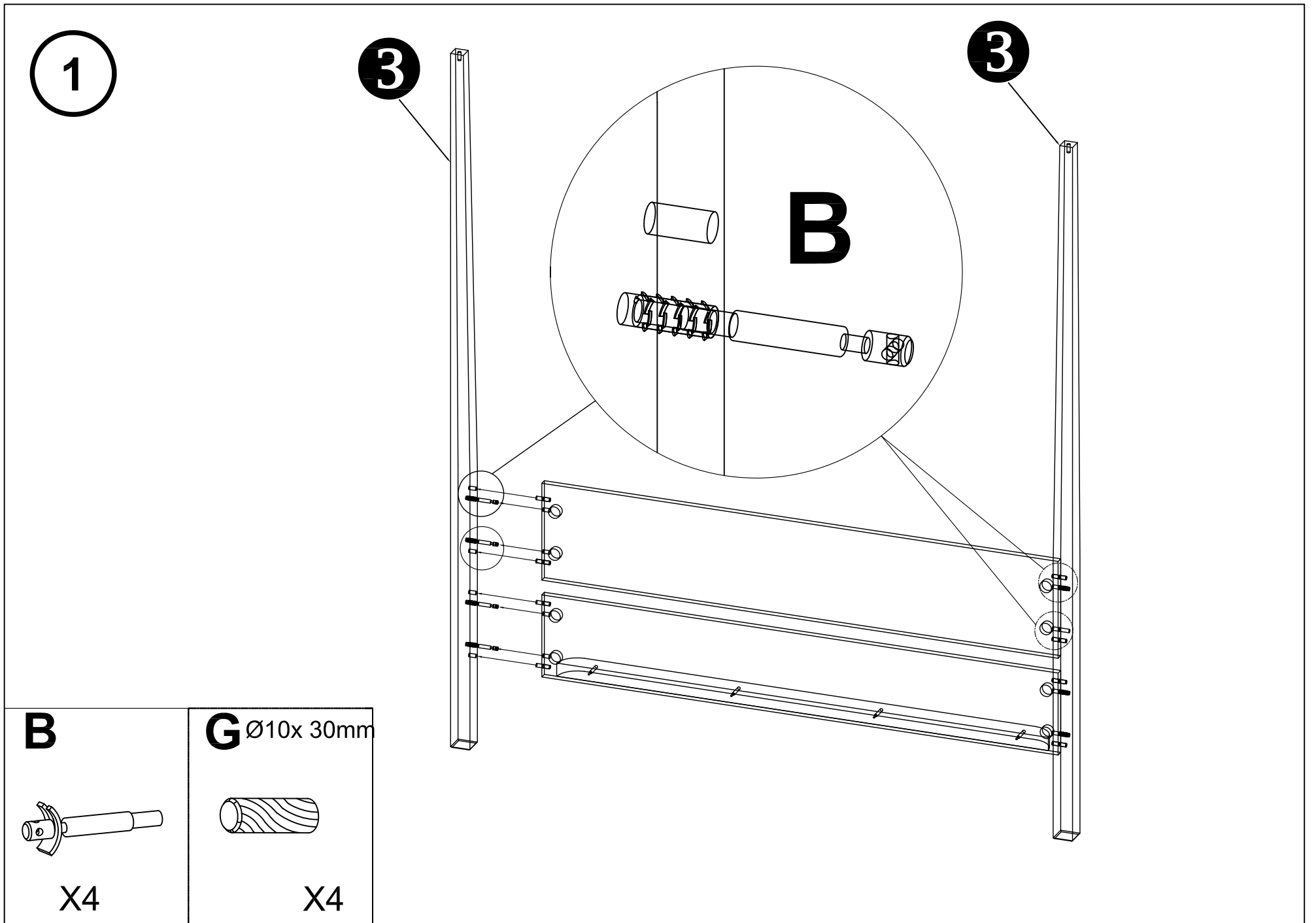
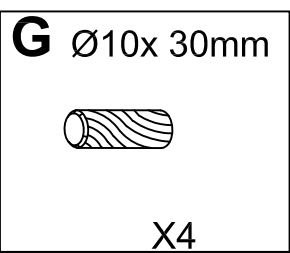
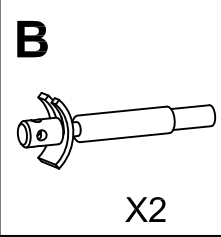
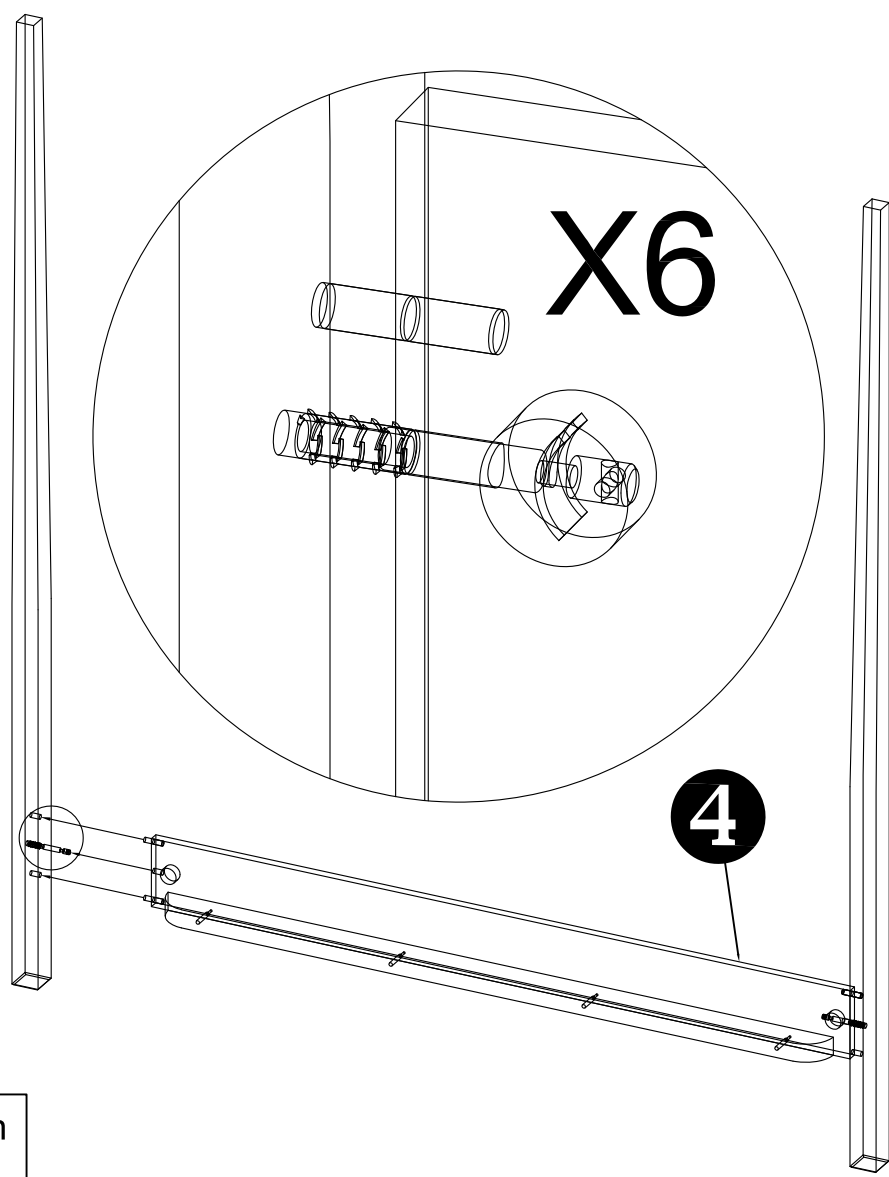
 <b>20</b> <b>MIN</b>		
---	---	---



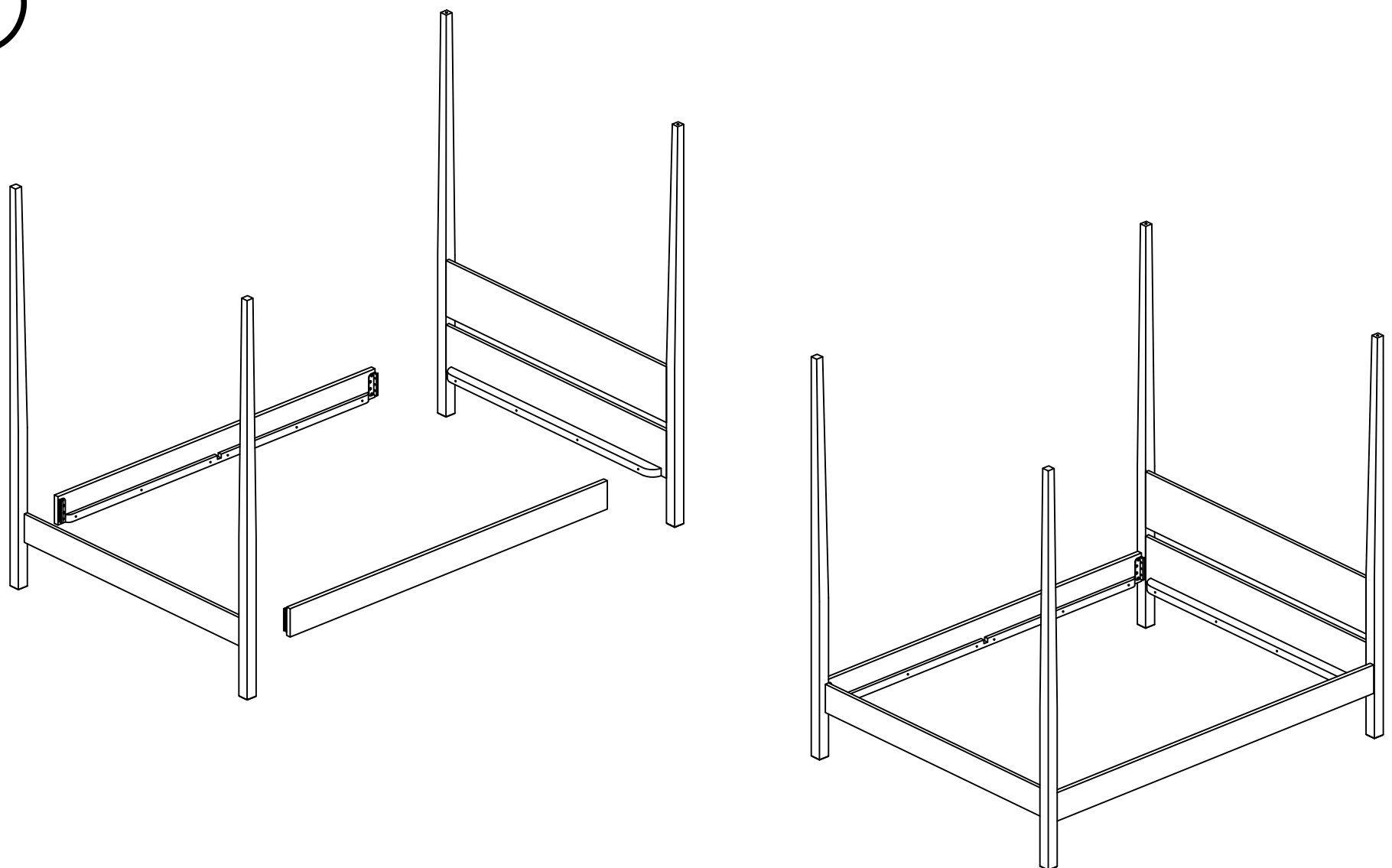
<b>A</b>  X2	<b>AA</b> M4x 50mm  X2	<b>B</b>  X10	<b>C</b> Ø6x 40mm  X4	<b>D</b> Ø6x10mm  X8	<b>E</b> Ø3  X1
<b>F</b> Ø4  X1	<b>G</b> Ø10x 30mm  X12				



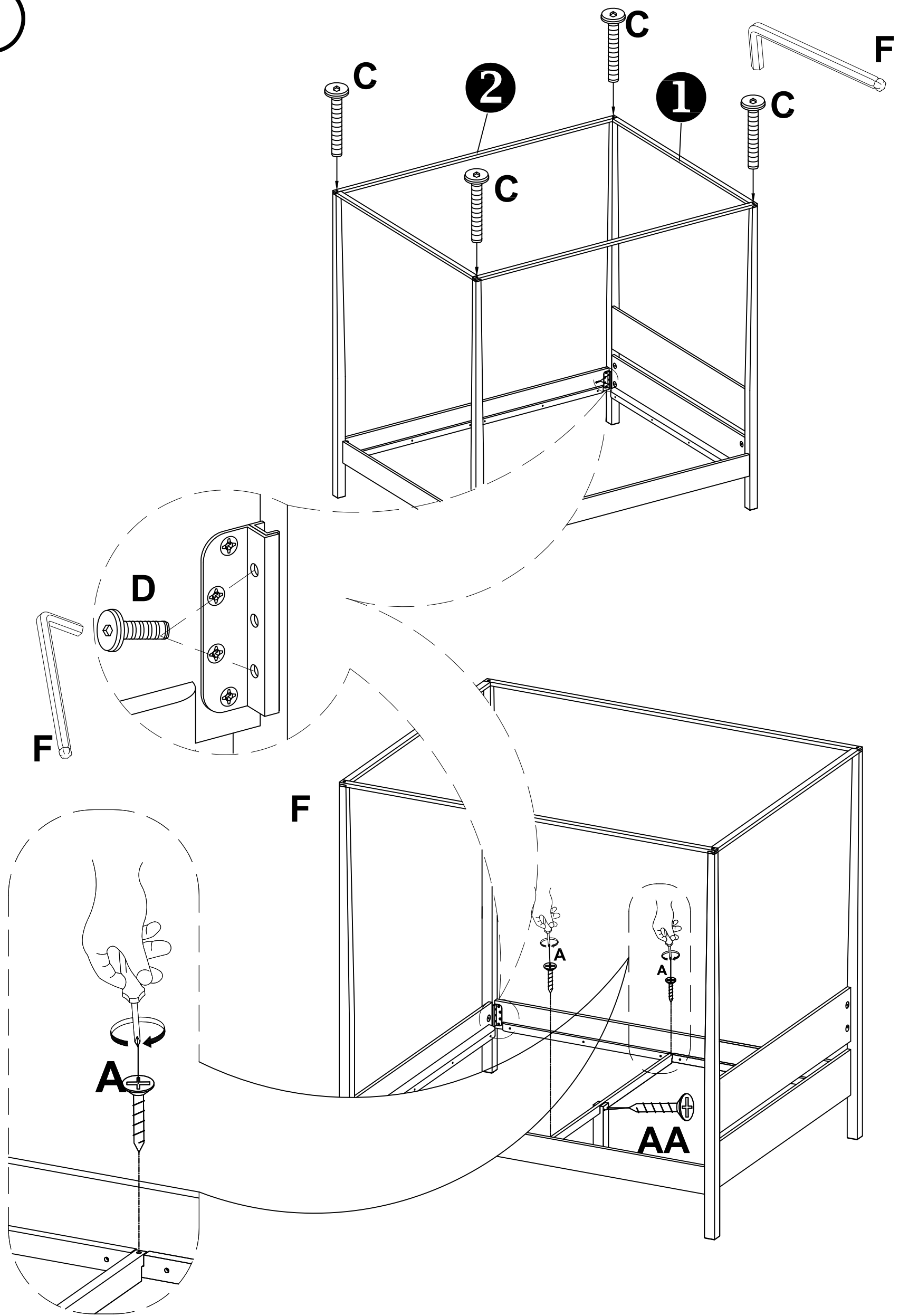
3

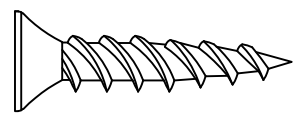
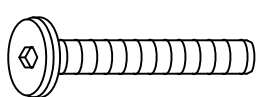
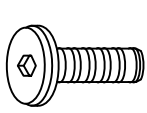



4



5



<b>A</b> M4x 30mm  X4	<b>C</b> Ø6x 40mm  X4	<b>D</b> Ø6x10mm  X8	 <b>F</b>
--	--	--	---