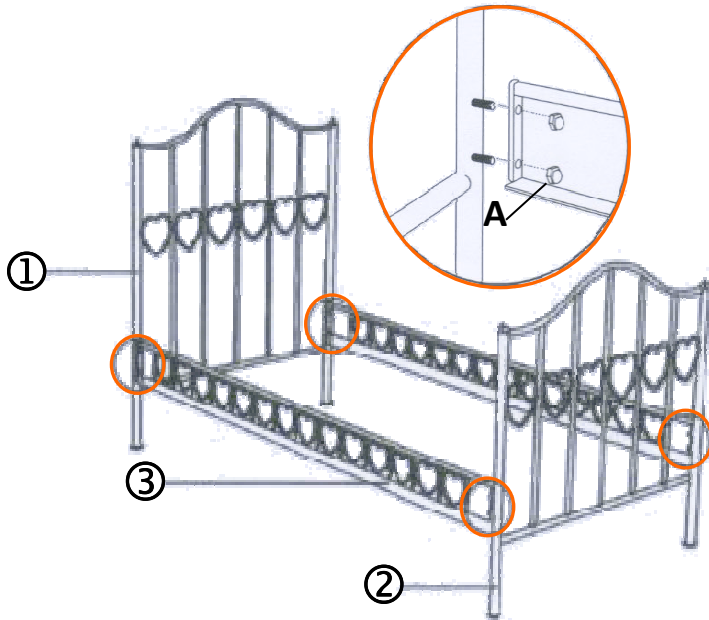
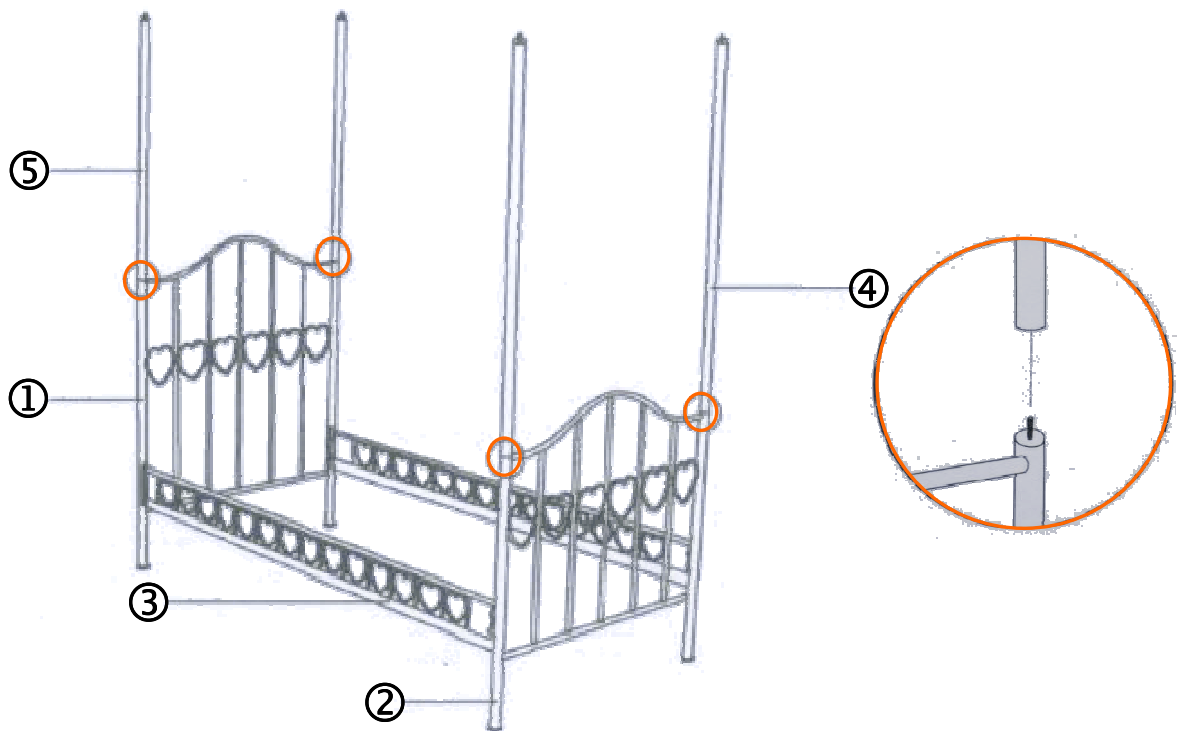


1

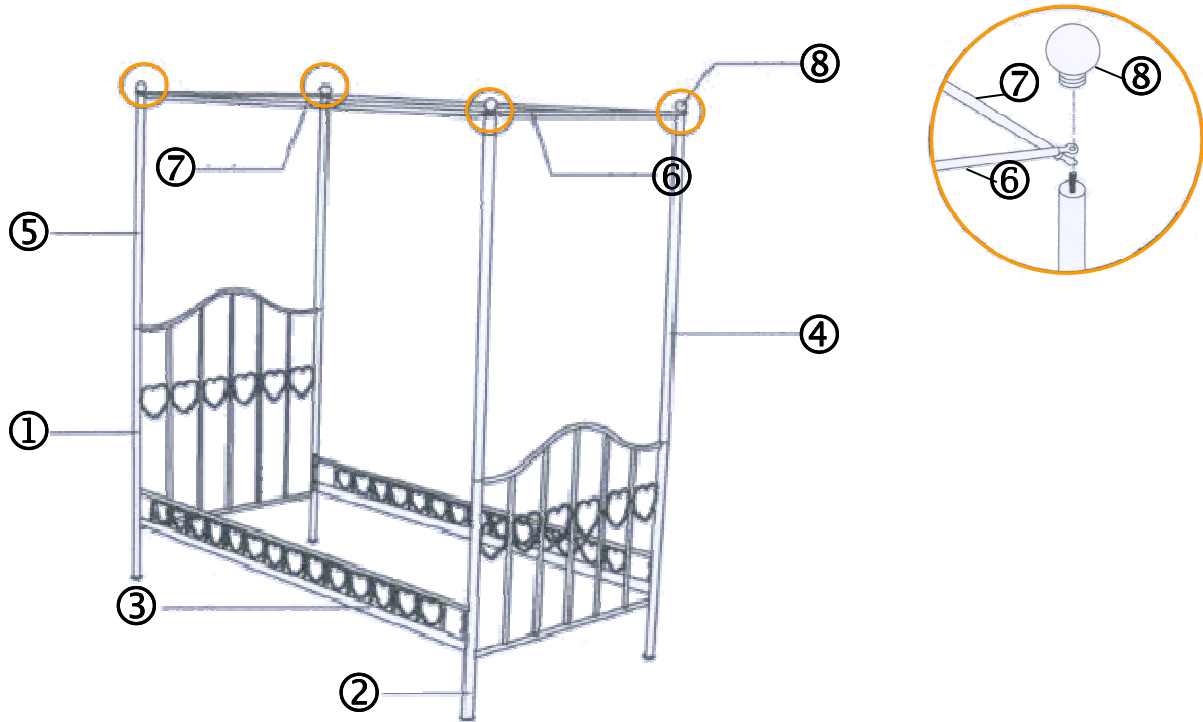


| | |
|--------|---------|
| 30 MIN | |
| ① X 1 | ② X 1 |
| ③ X 2 | ④ X 2 |
| ⑤ X 2 | ⑥ X 2 |
| ⑦ X 2 | ⑧ X 4 |
| ⑨ X 2 | A X 12 |
| B X 4 | C X 1 |

2



3



4

