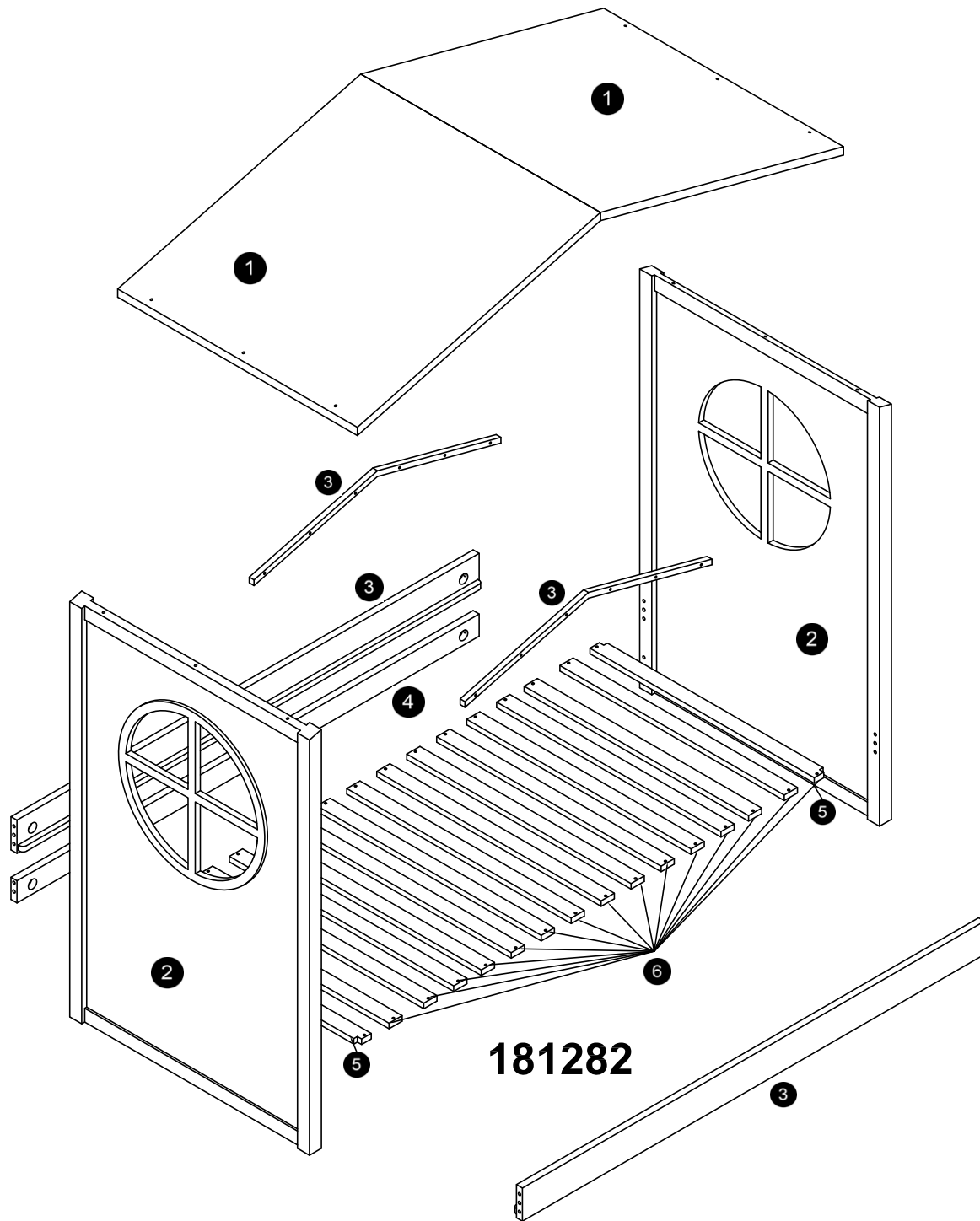






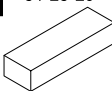
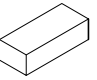
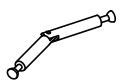

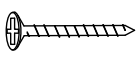
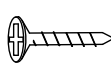




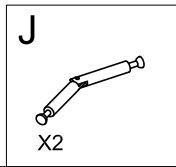
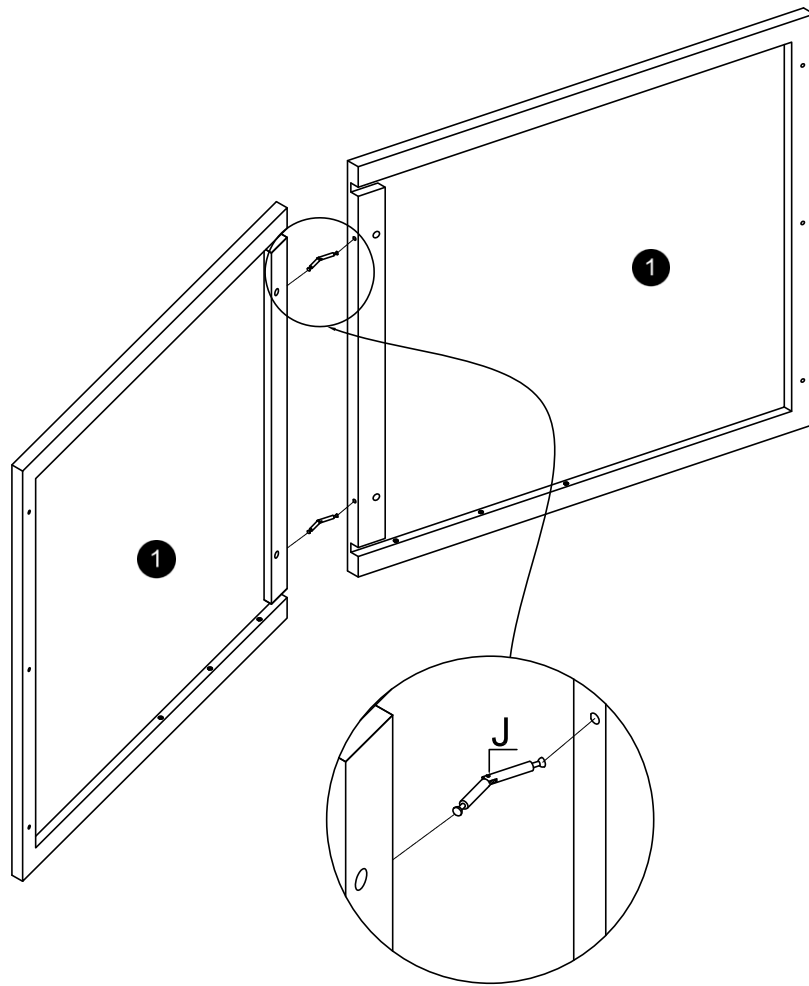
 40 MIN	
--	---



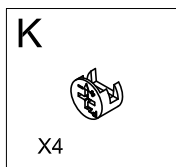
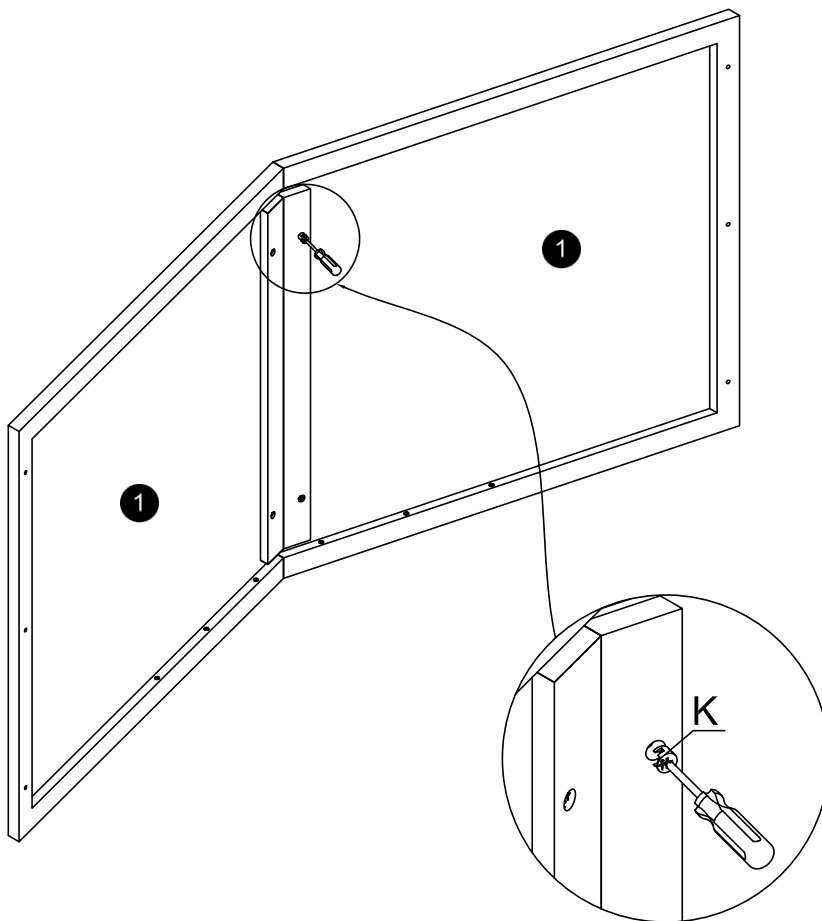
181282

A $\varnothing 8 \times 75 \text{mm}$  X6	B  X6	C $\varnothing 10 \times 30 \text{mm}$  X10	D key 3  X1	E $\varnothing 6 * 50 \text{mm}$  X6	F key 4  X1	H $84 * 28 * 20$  X2
I $70 * 28 * 20$  X2	J  X2	K  X4	L $M4 * 35 \text{mm}$  X16	N $M3.5 * 25 \text{mm}$  X8	O $\varnothing 6 * 40 \text{mm}$  X12	P $\varnothing 8 \times 25$  X4

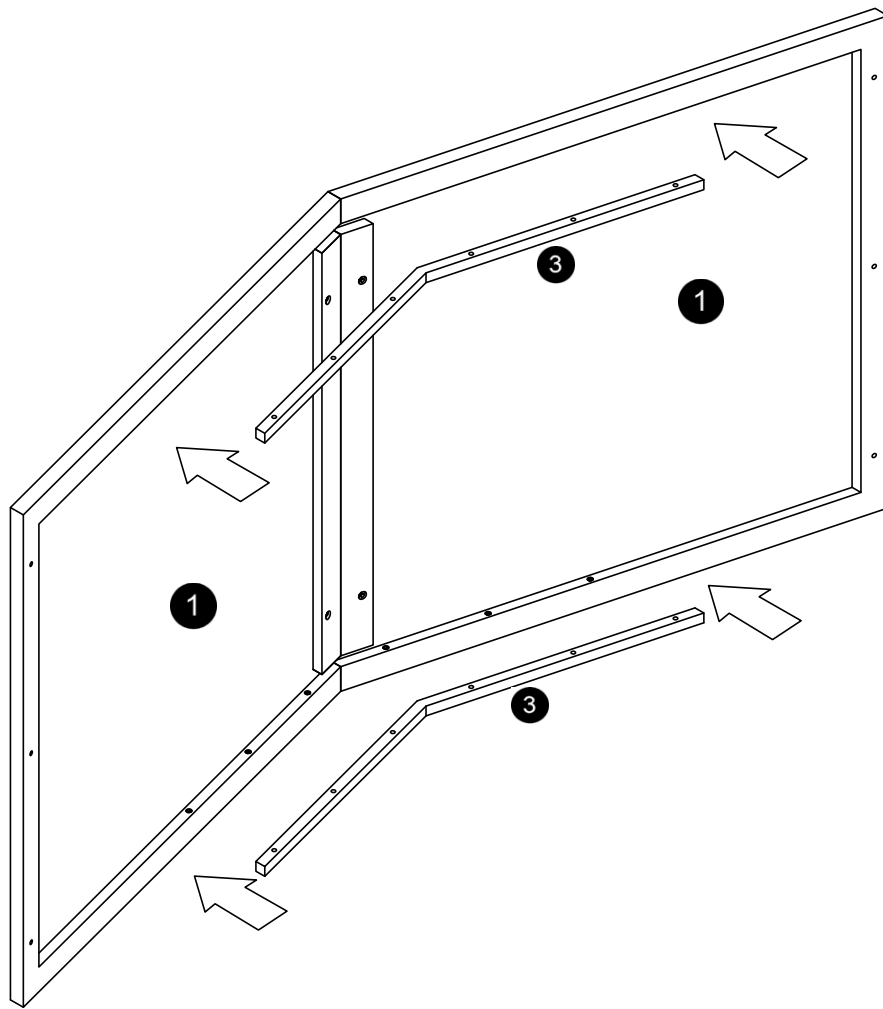
1



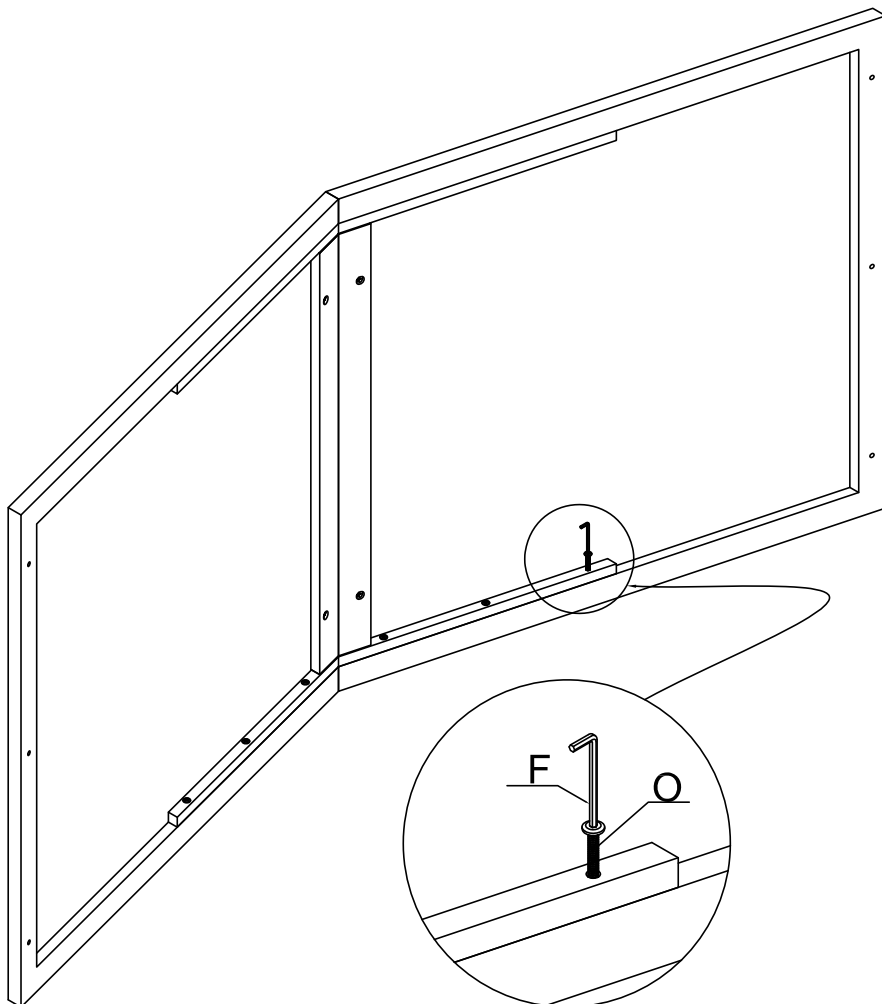
2


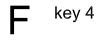




3

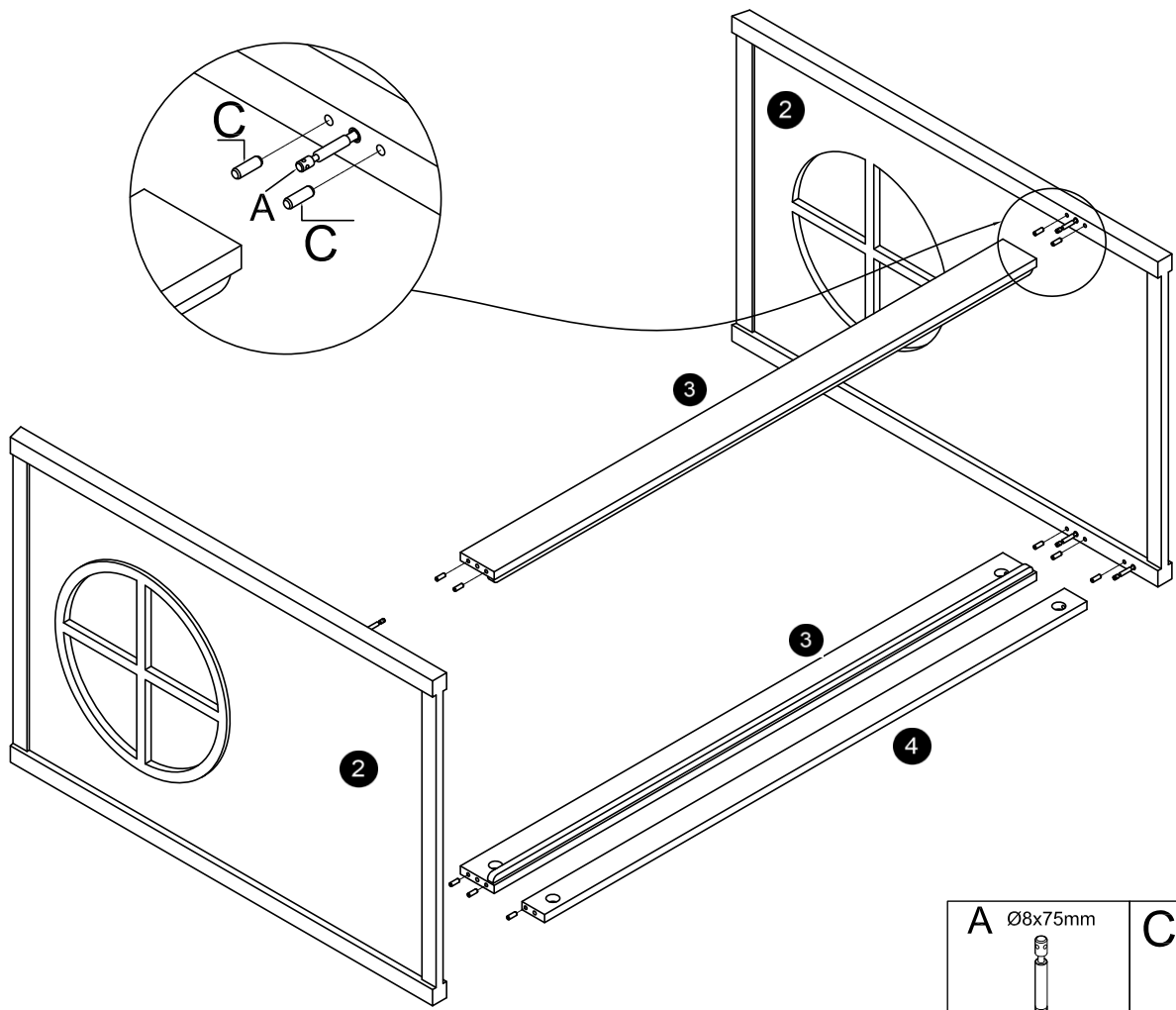


4



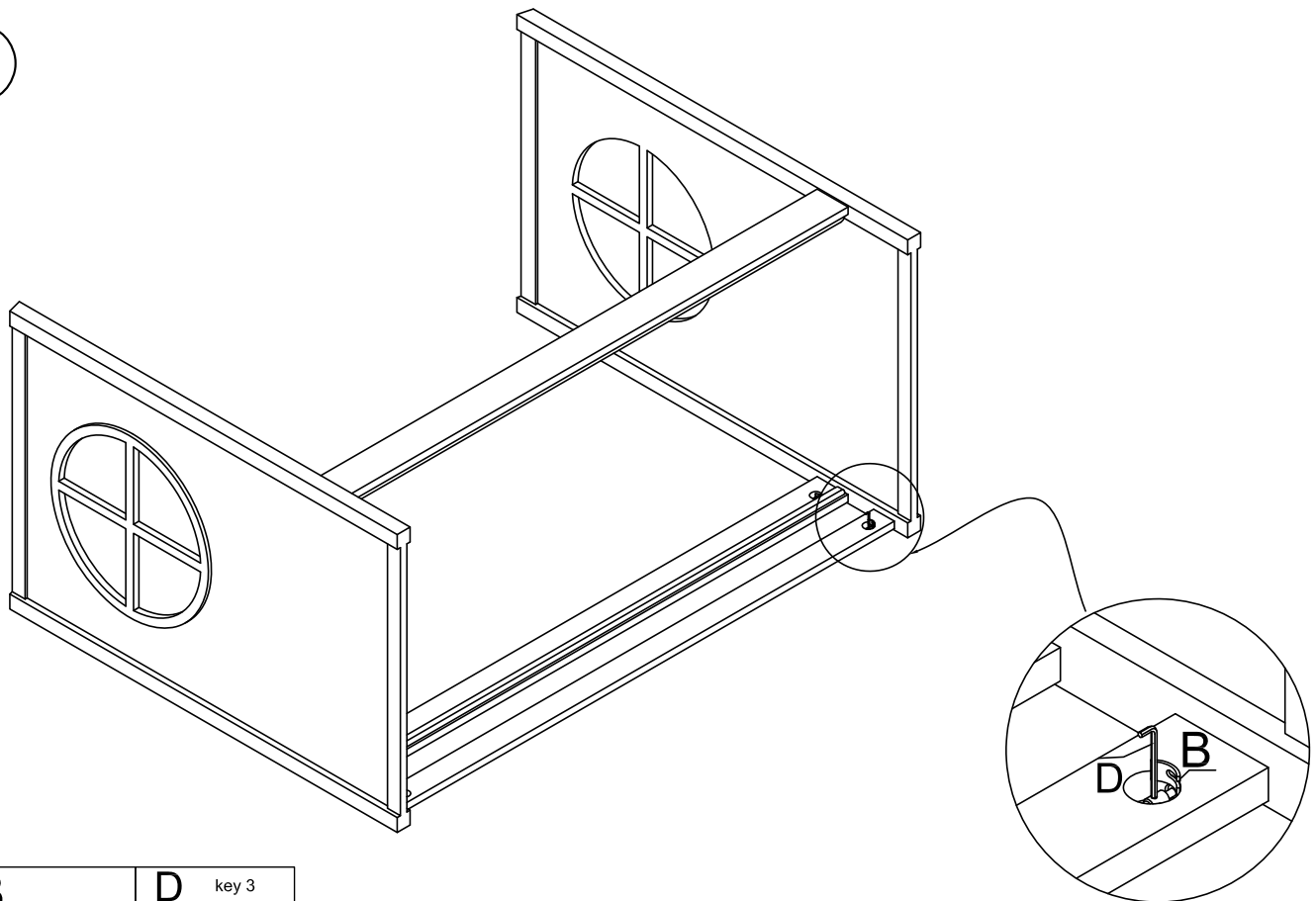
 Ø6 *40mm	 key 4
 X12	 X1

5



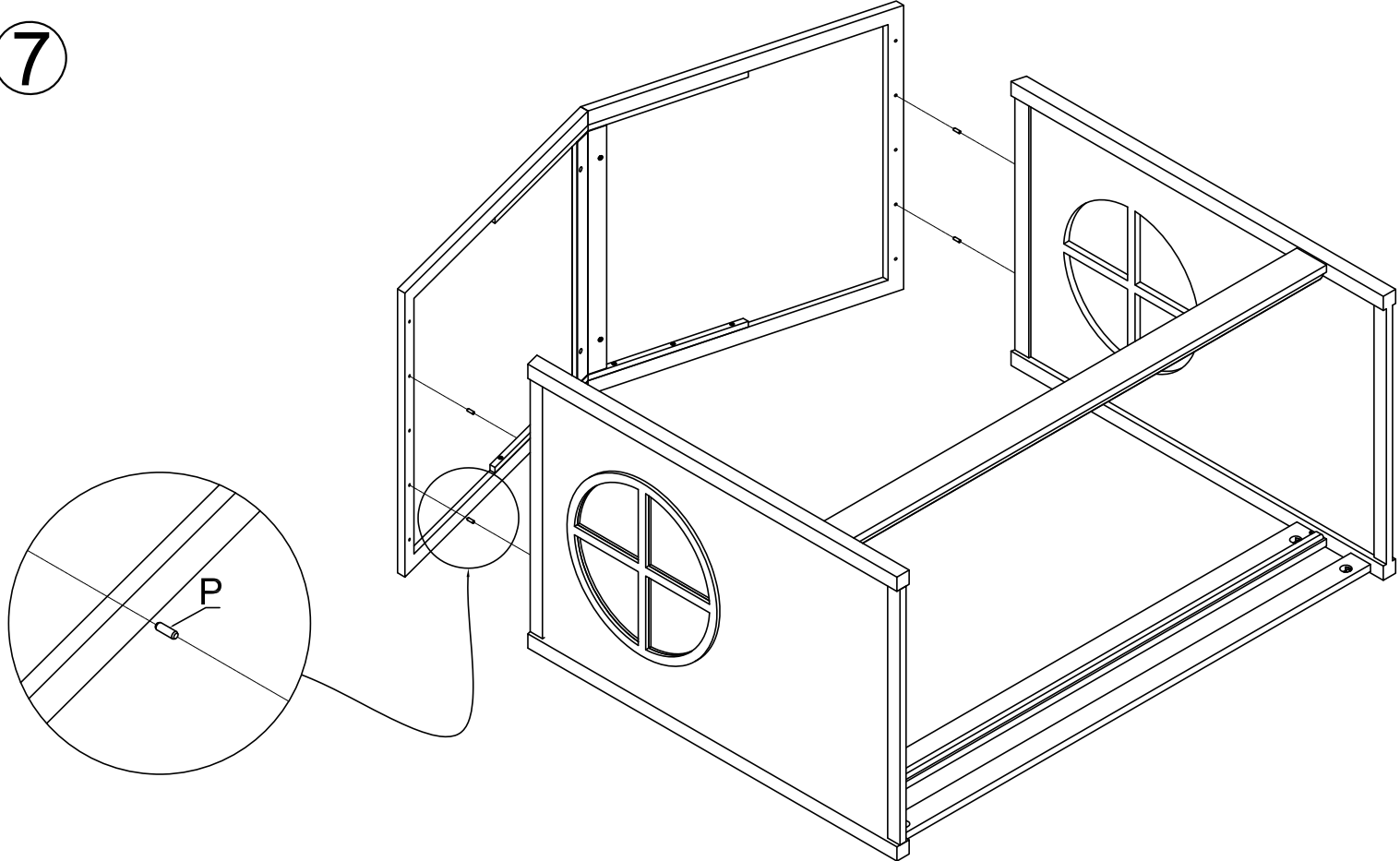
A Ø8x75mm X6	C Ø10x30mm X10
------------------------	--------------------------

6



B X6	D key 3 X1
----------------	----------------------

7

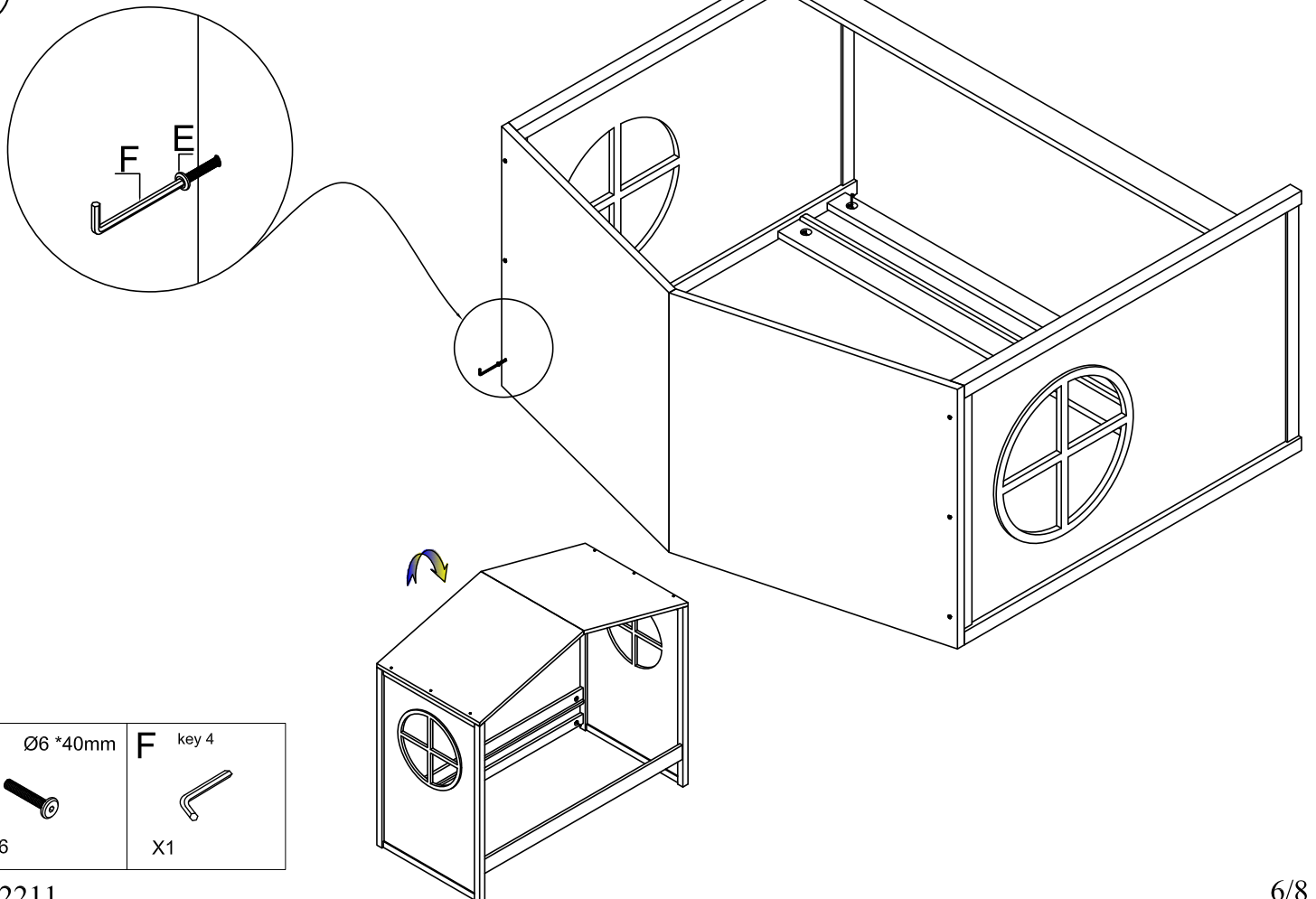


P Ø 8 x 25



X4

8



E Ø6 * 40mm

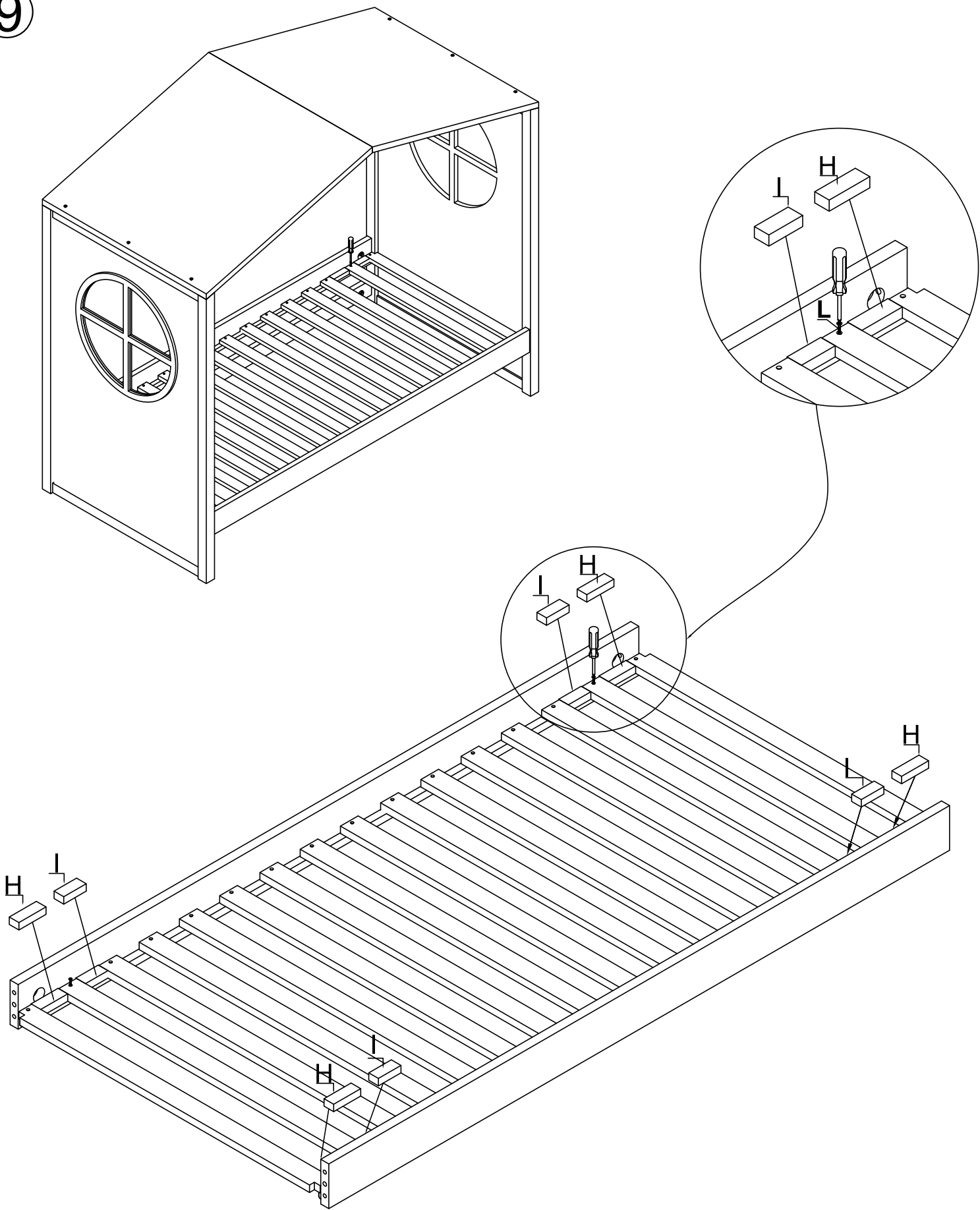
F key 4

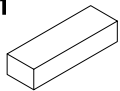
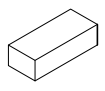



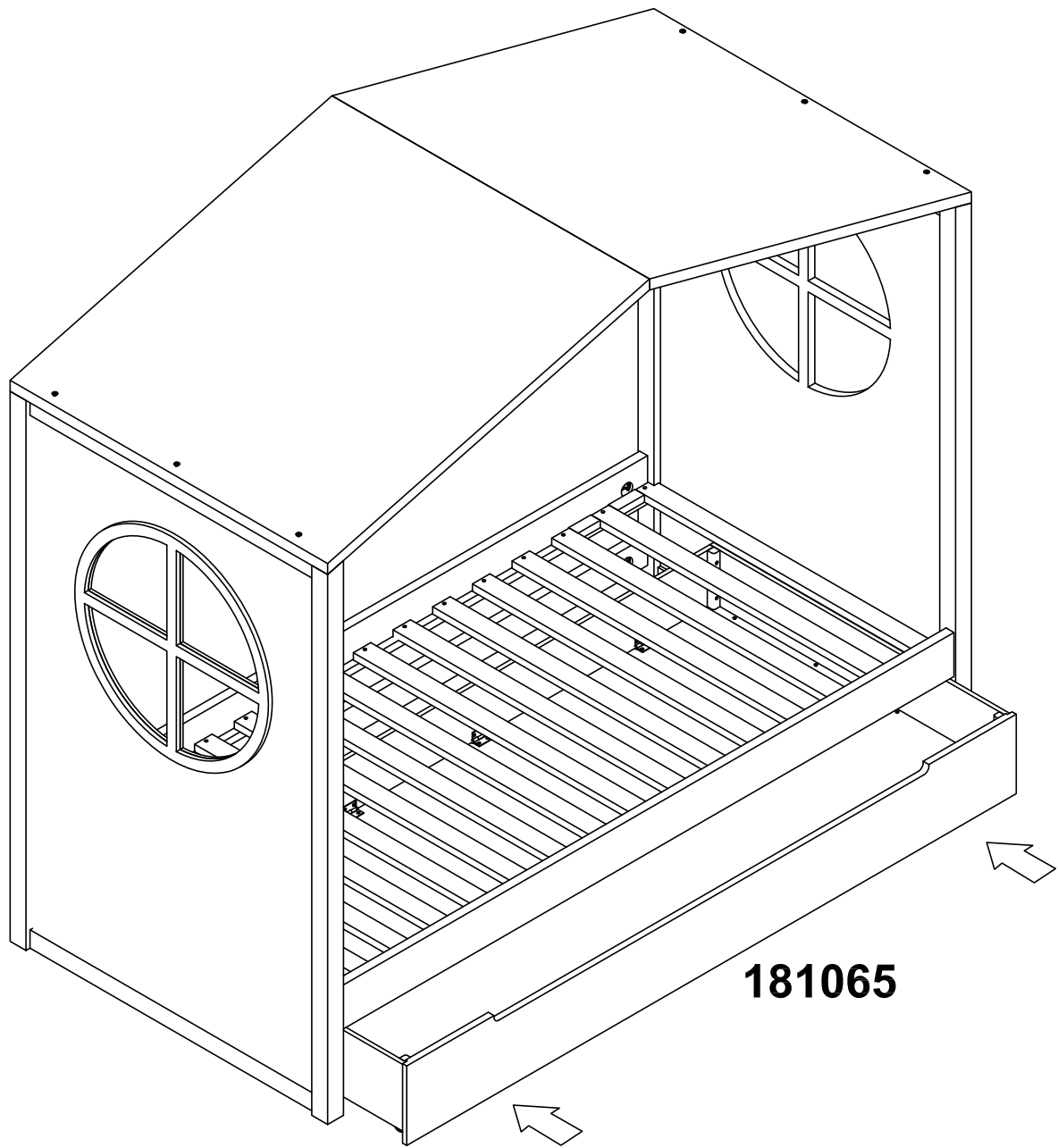
X6

X1

9



H  x1	K  x1	L M4 * 35mm  x32
--	---	--



181065