
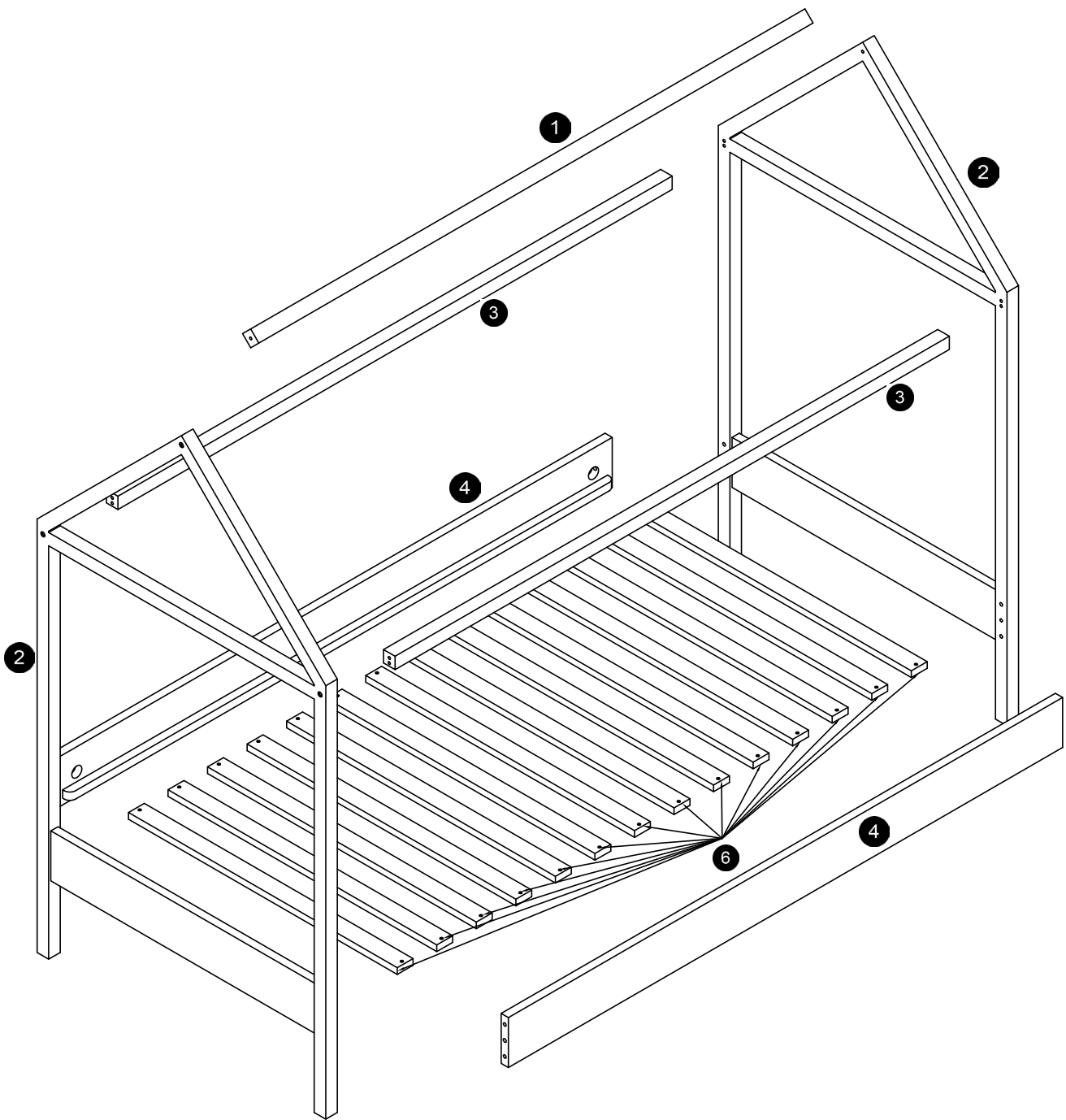
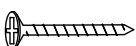








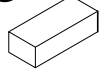
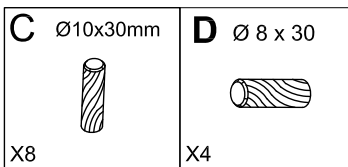
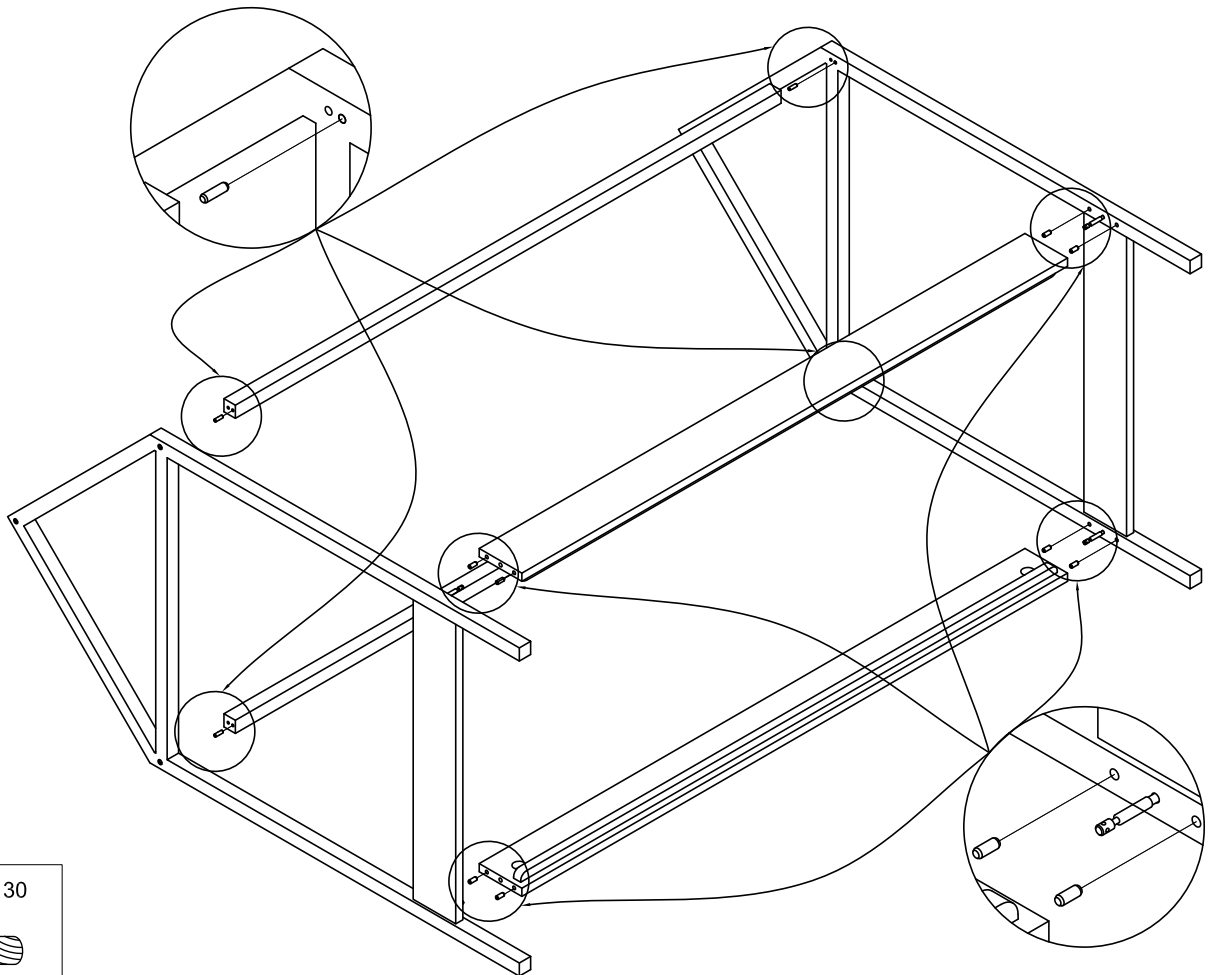
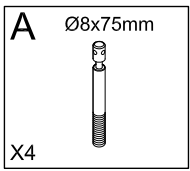
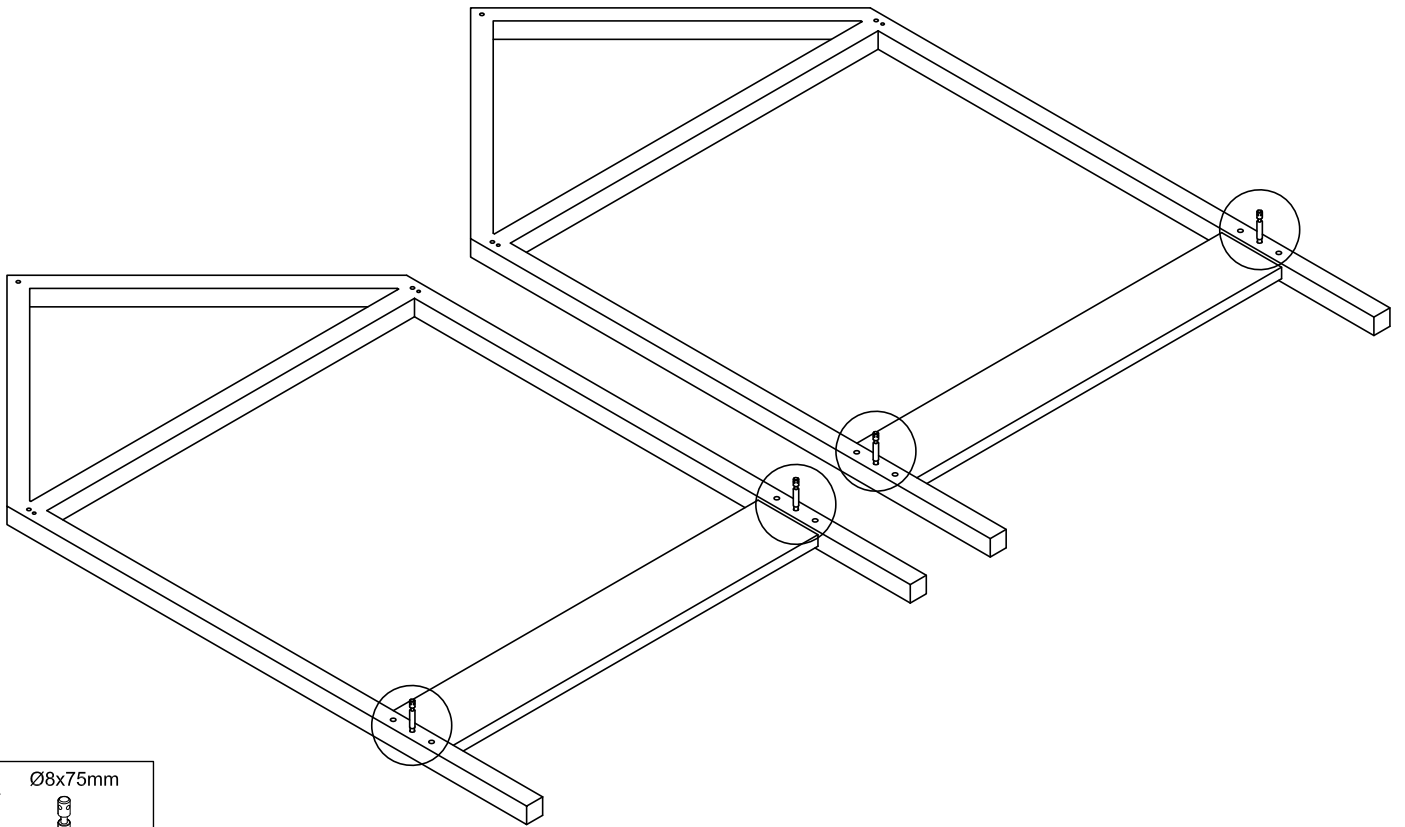
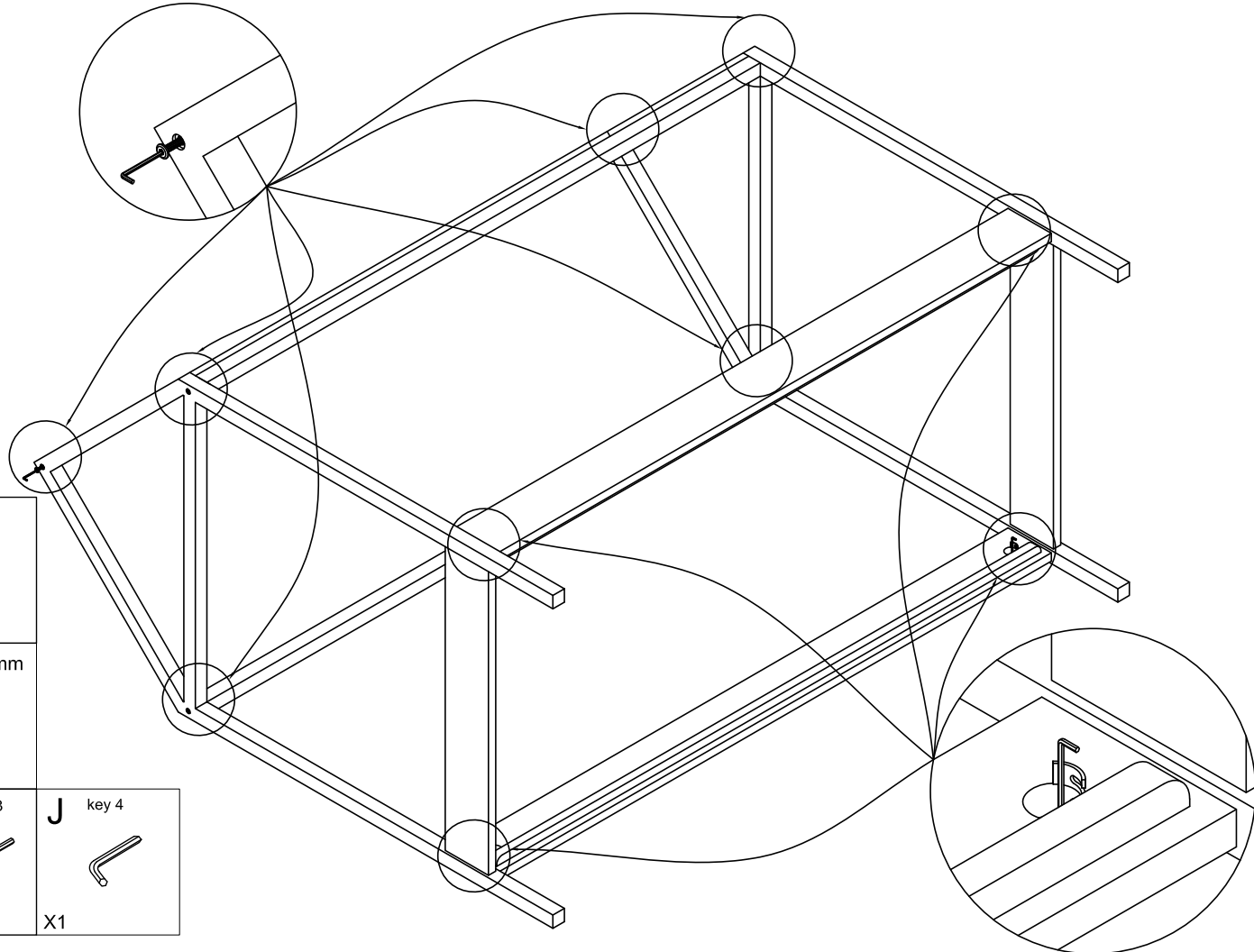
 30 MIN	
--	---







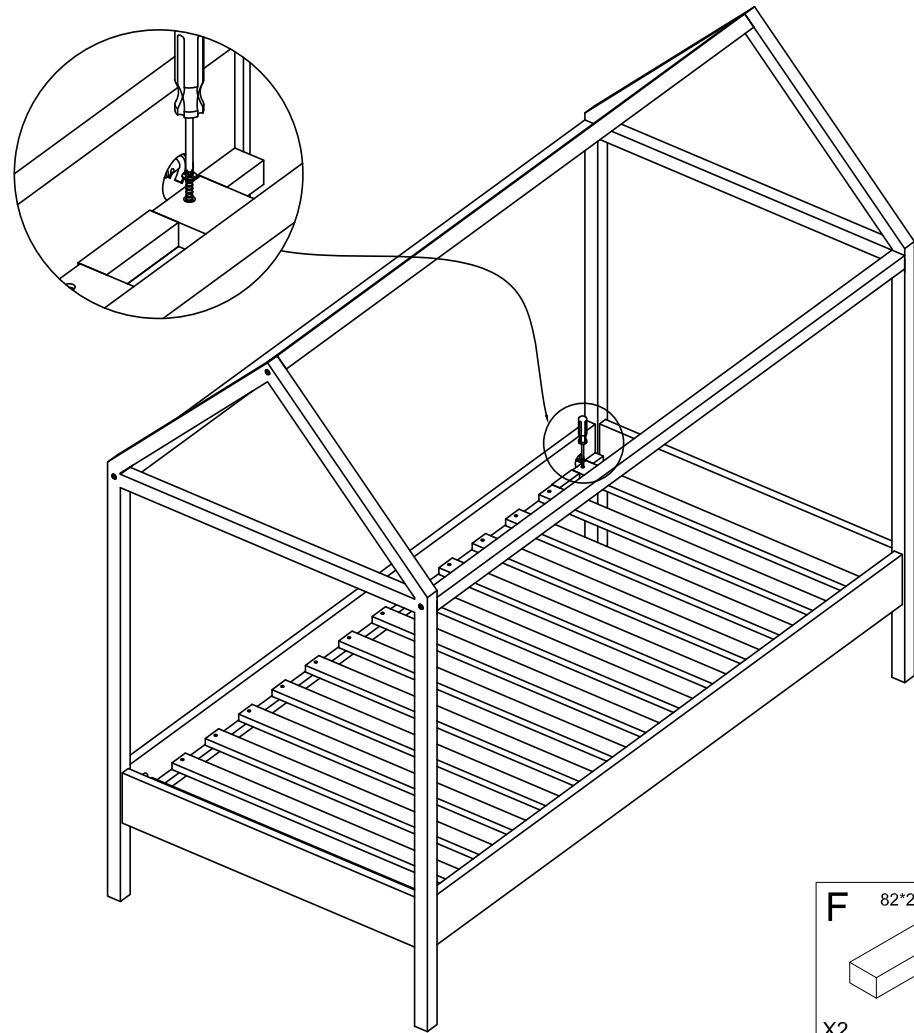
H M4 * 35mm  X28	I key 3  X1	J key 4  X1
---	---	---

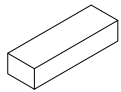
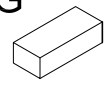

A Ø8x75mm  X4	B  X4	C Ø10x30mm  X8	D Ø 8 x 30  X4	E Ø6 *55mm  X6	F 82*20*20  X2	G 42*20*20  X2
---	---	--	--	--	---	--





- | | |
|--|---|
| B |  |
| X4 | |
| E | Ø6 *55mm |
|  | |
| X6 | |
| I | key 3 |
|  | |
| X1 | |
| J | key 4 |
|  | |
| X1 | |



- | | |
|---|-----------|
| F | 82*20*20 |
|  | |
| X2 | |
| G | 42*20*20 |
|  | |
| X2 | |
| H | M4 * 35mm |
|  | |
| X28 | |