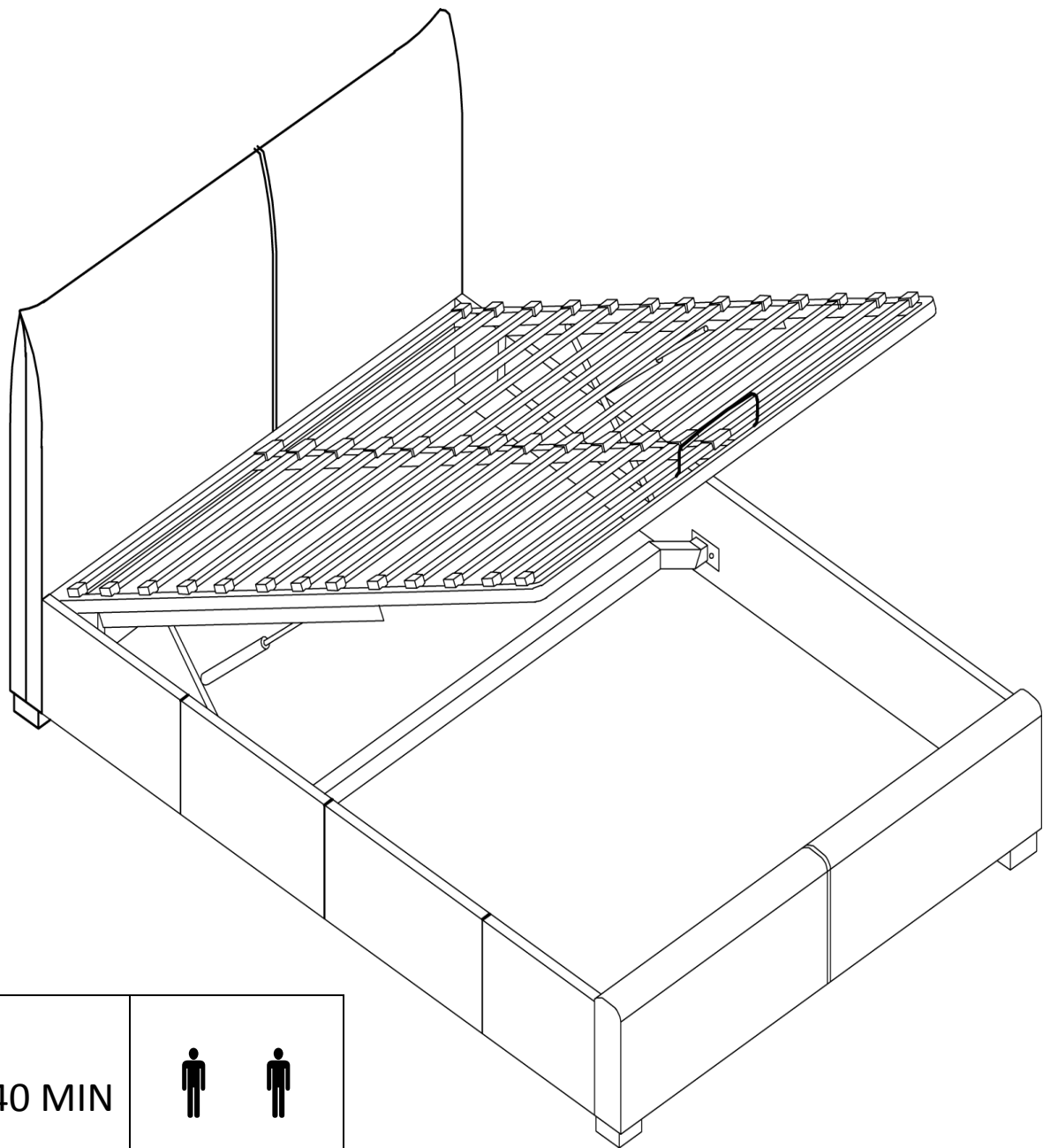




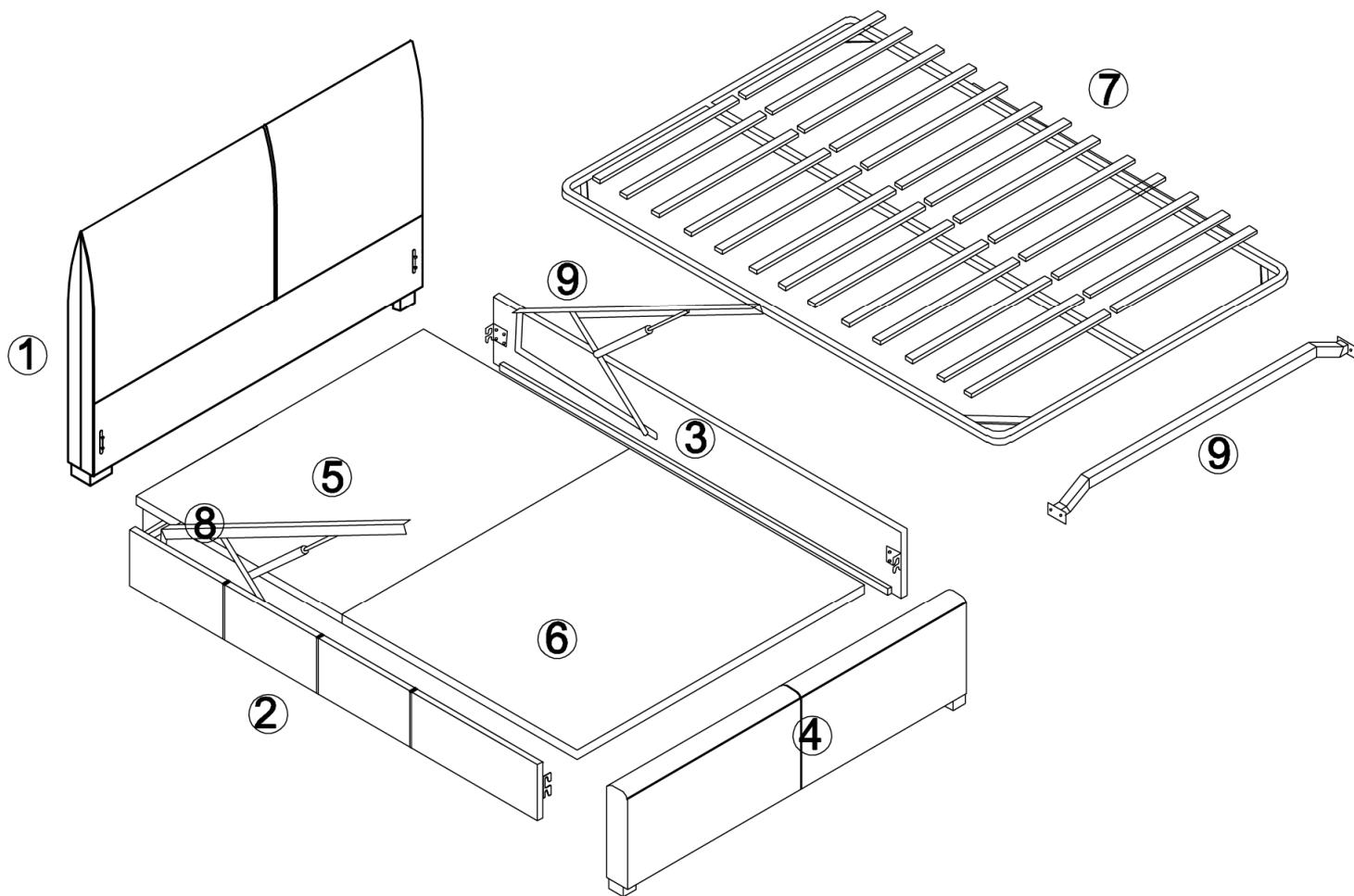



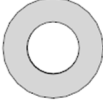


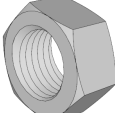





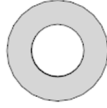
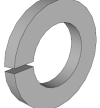



PILLOW

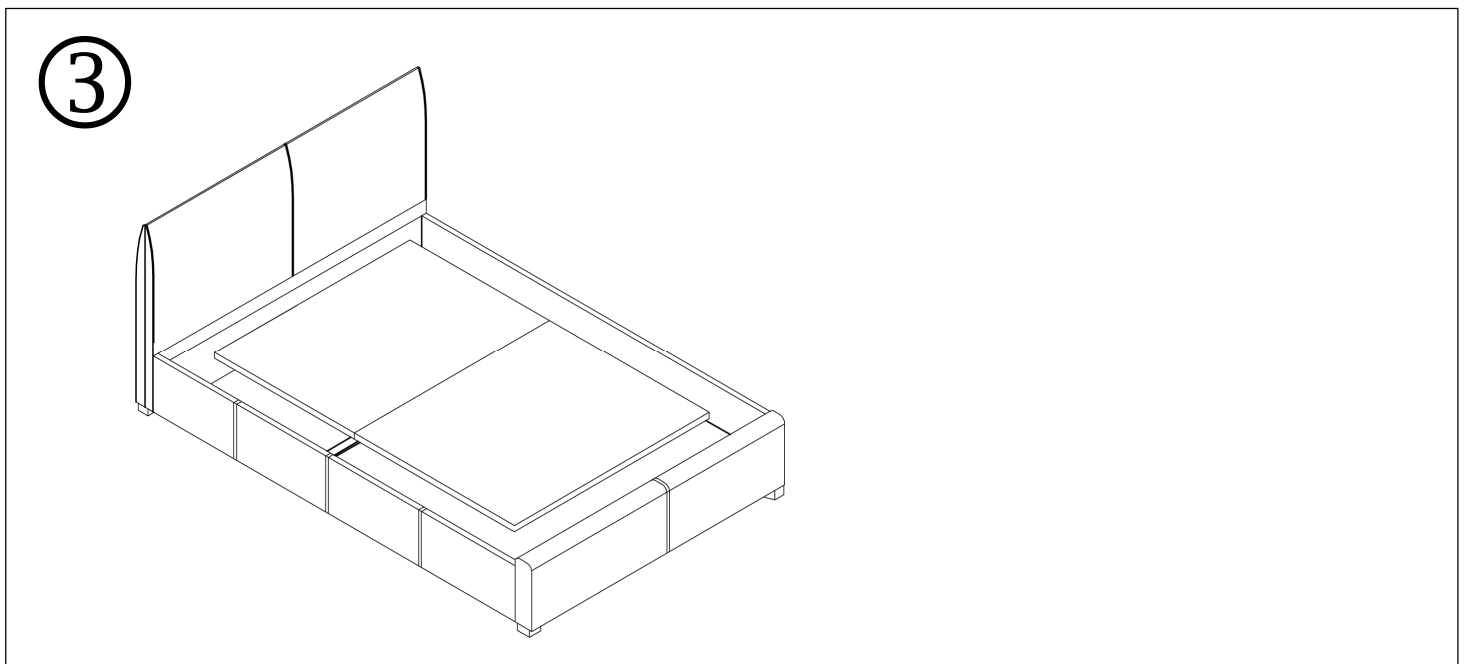
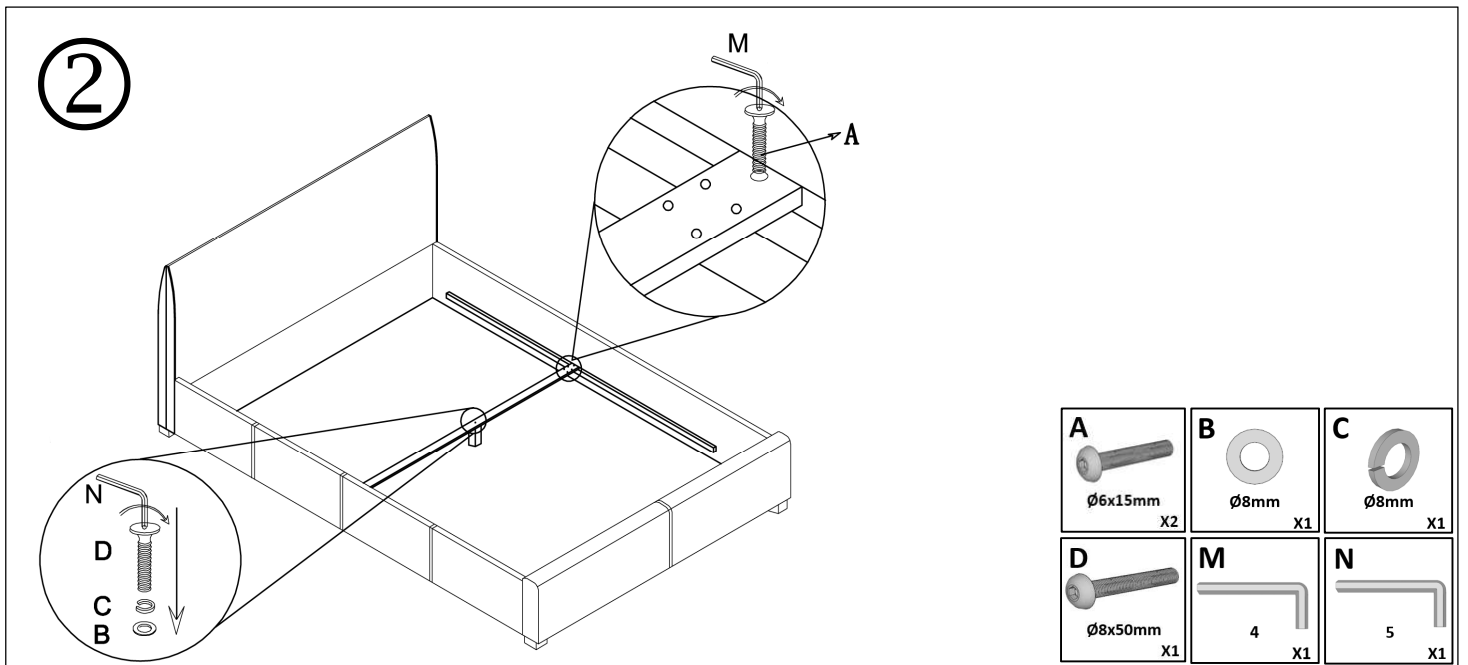
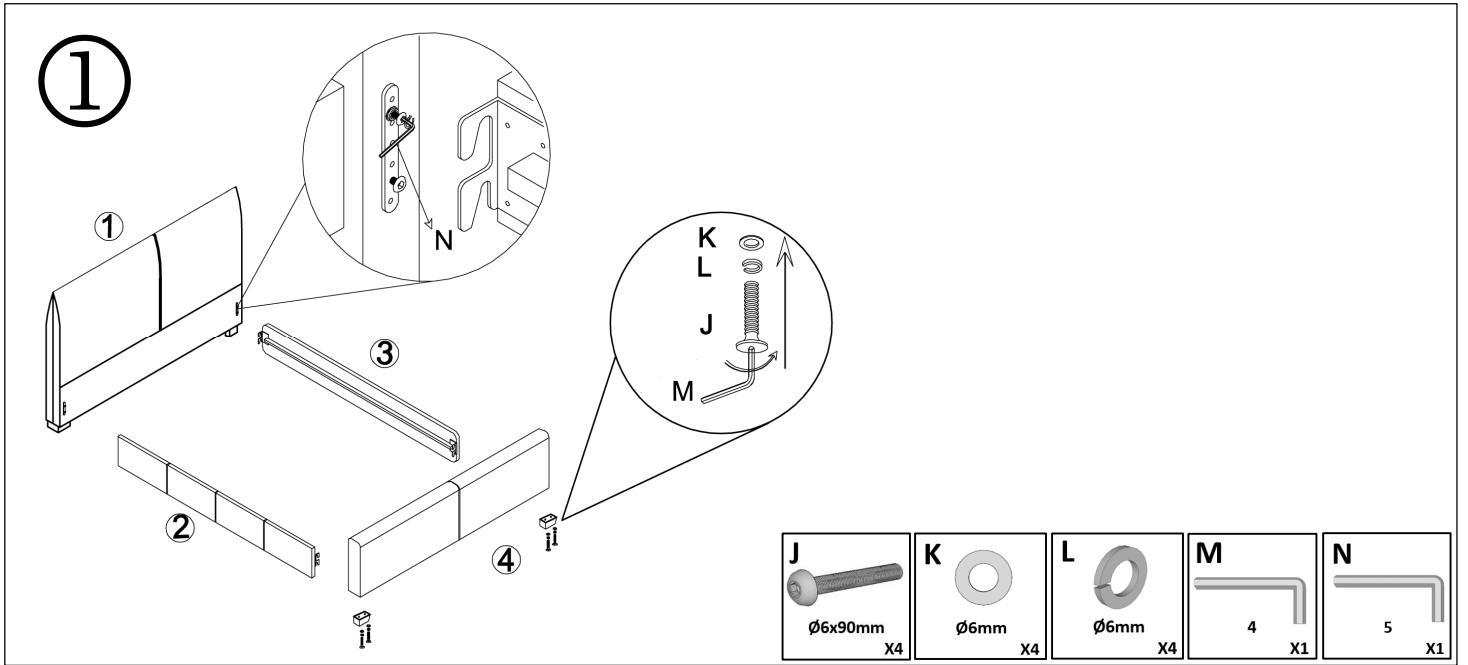
146835/146900/146961/146960



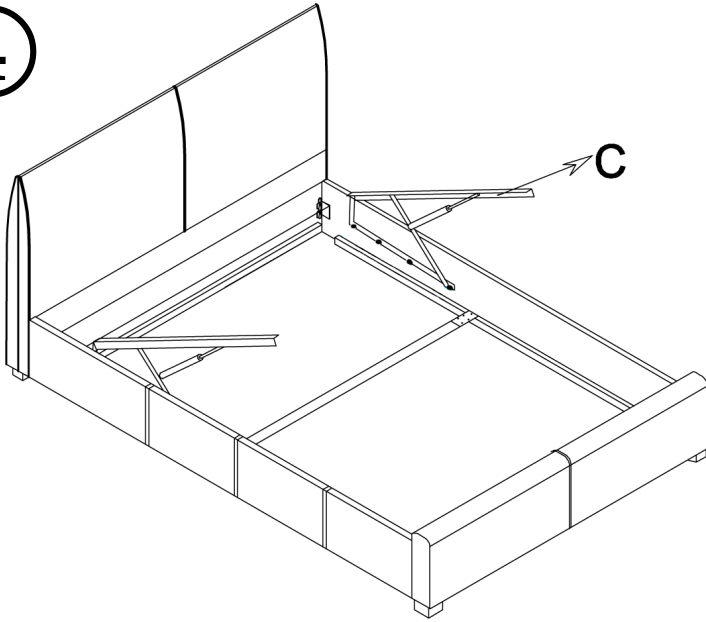
 40 MIN	
--	---



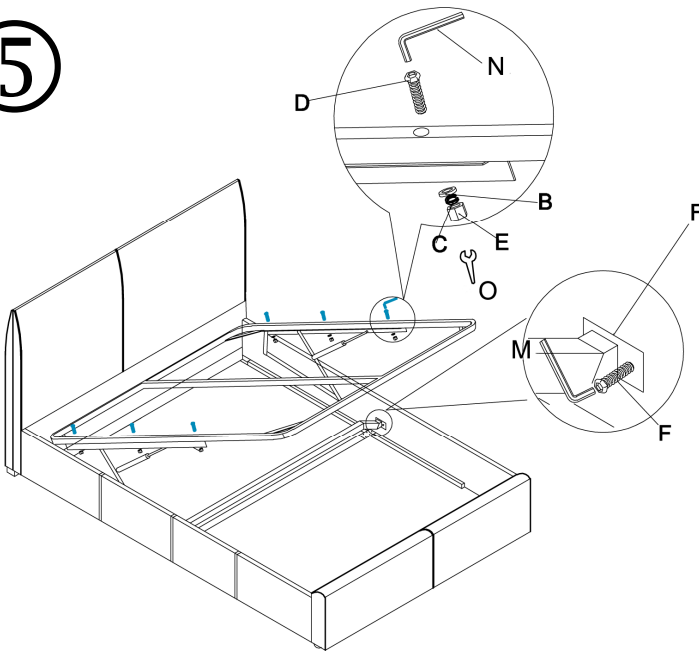
A  Ø6x15mm X2	B  Ø8mm X7	C  Ø8mm X7	D  Ø8x50mm X7	E  M8 X6	F  Ø6x20mm X4
G  X13	H  X26	I  X26	J  Ø6x90mm X4	K  Ø6mm X6	L  Ø6mm X4
M  4 X1	N  5 X1	O  X1			



4

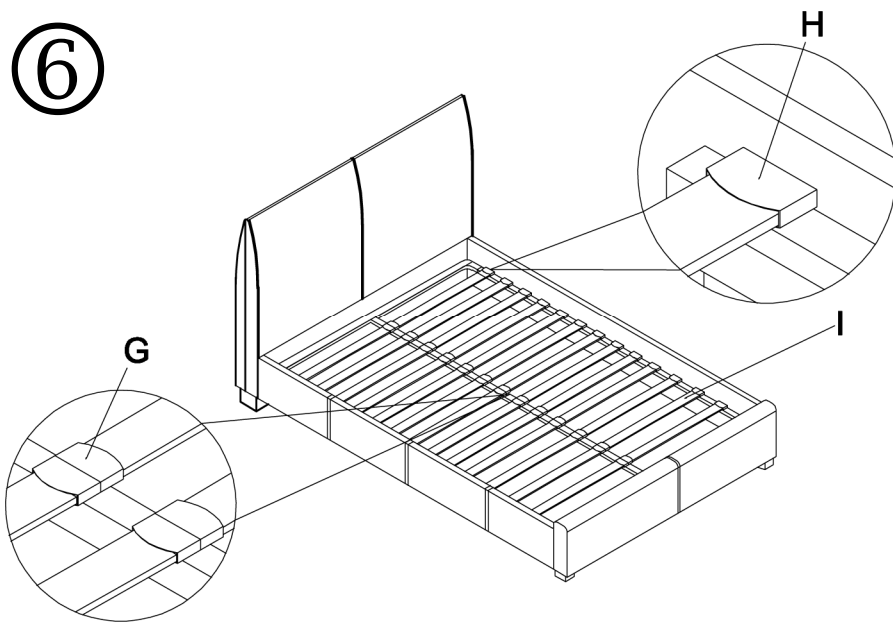


5



B Ø8mm X6	C Ø8mm X6	D Ø8x50mm X6
E M8 X6	F Ø6x20mm X4	M 4 X1

6



G X13	H X26	I X26
-----------------	-----------------	-----------------