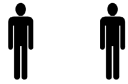

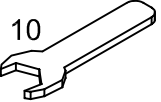
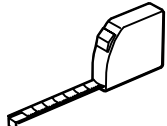
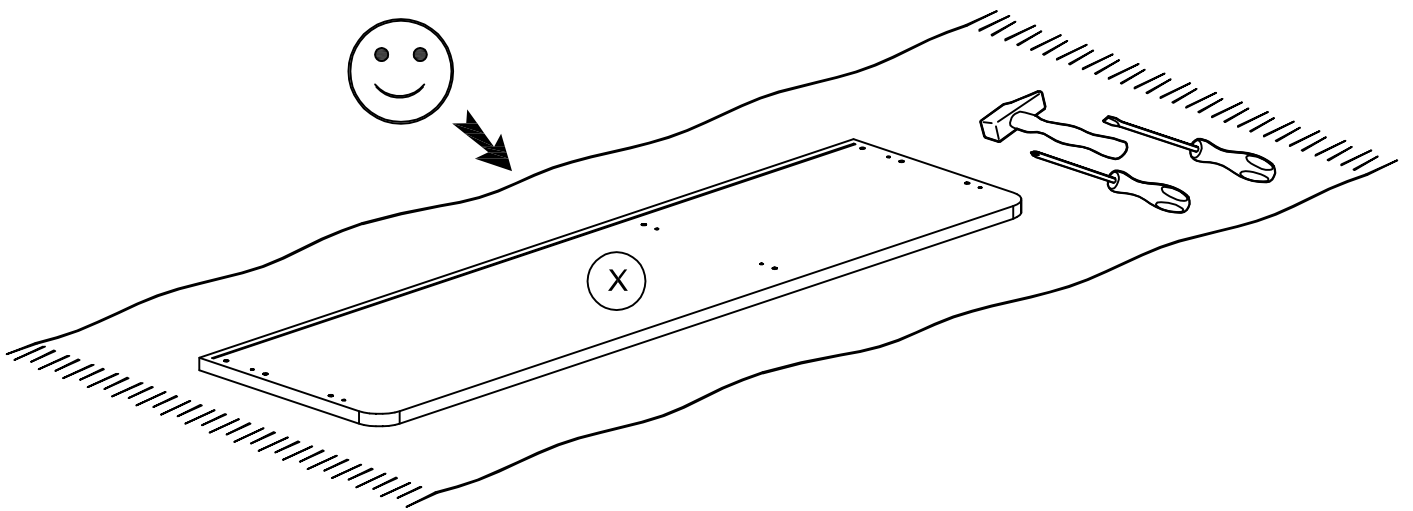
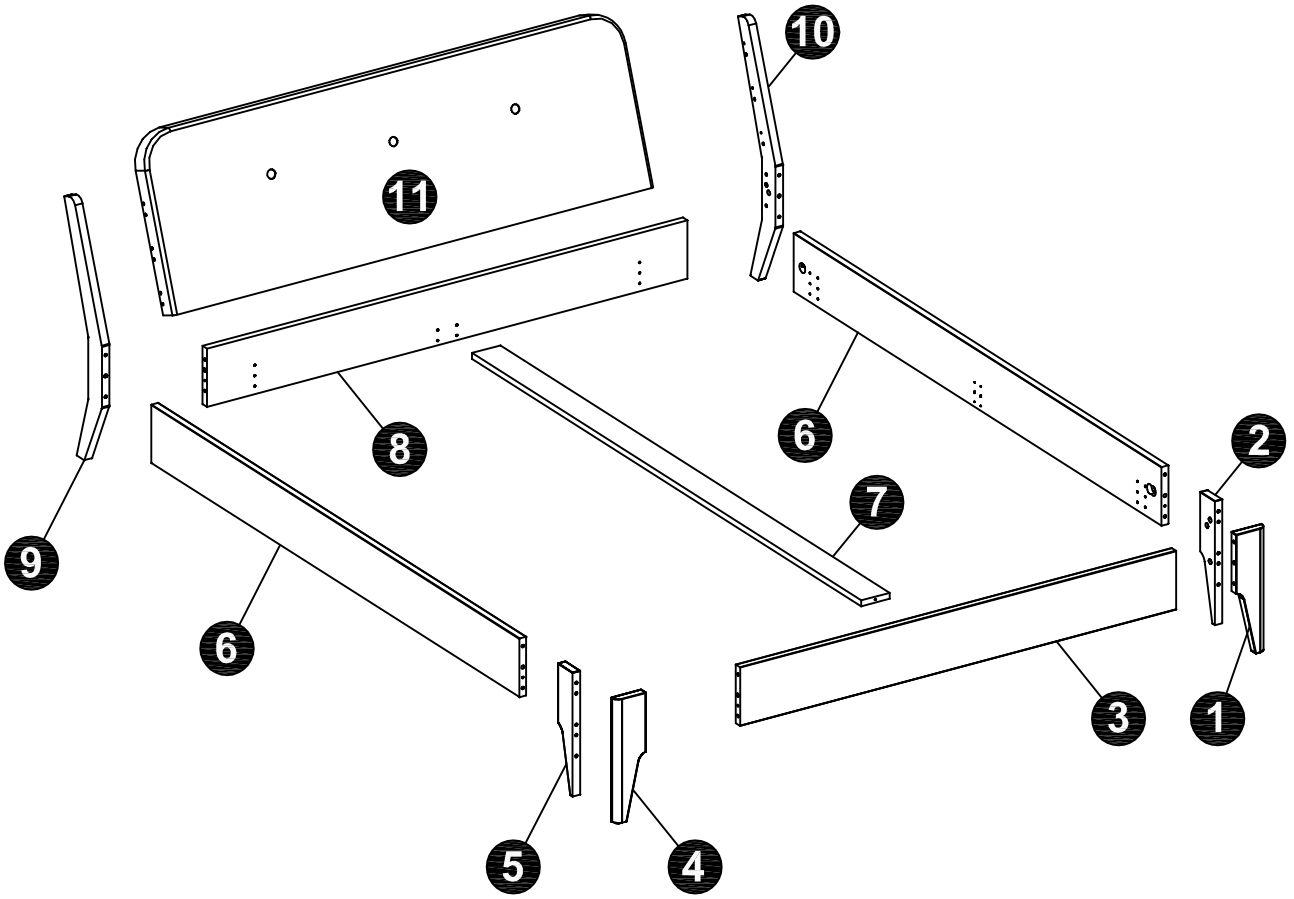
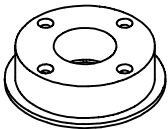
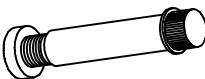
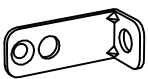
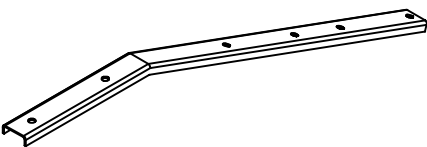





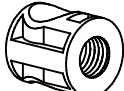

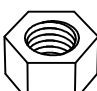
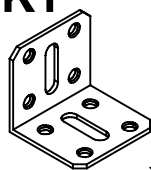
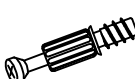


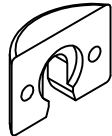



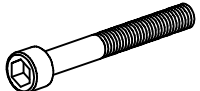


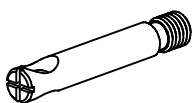

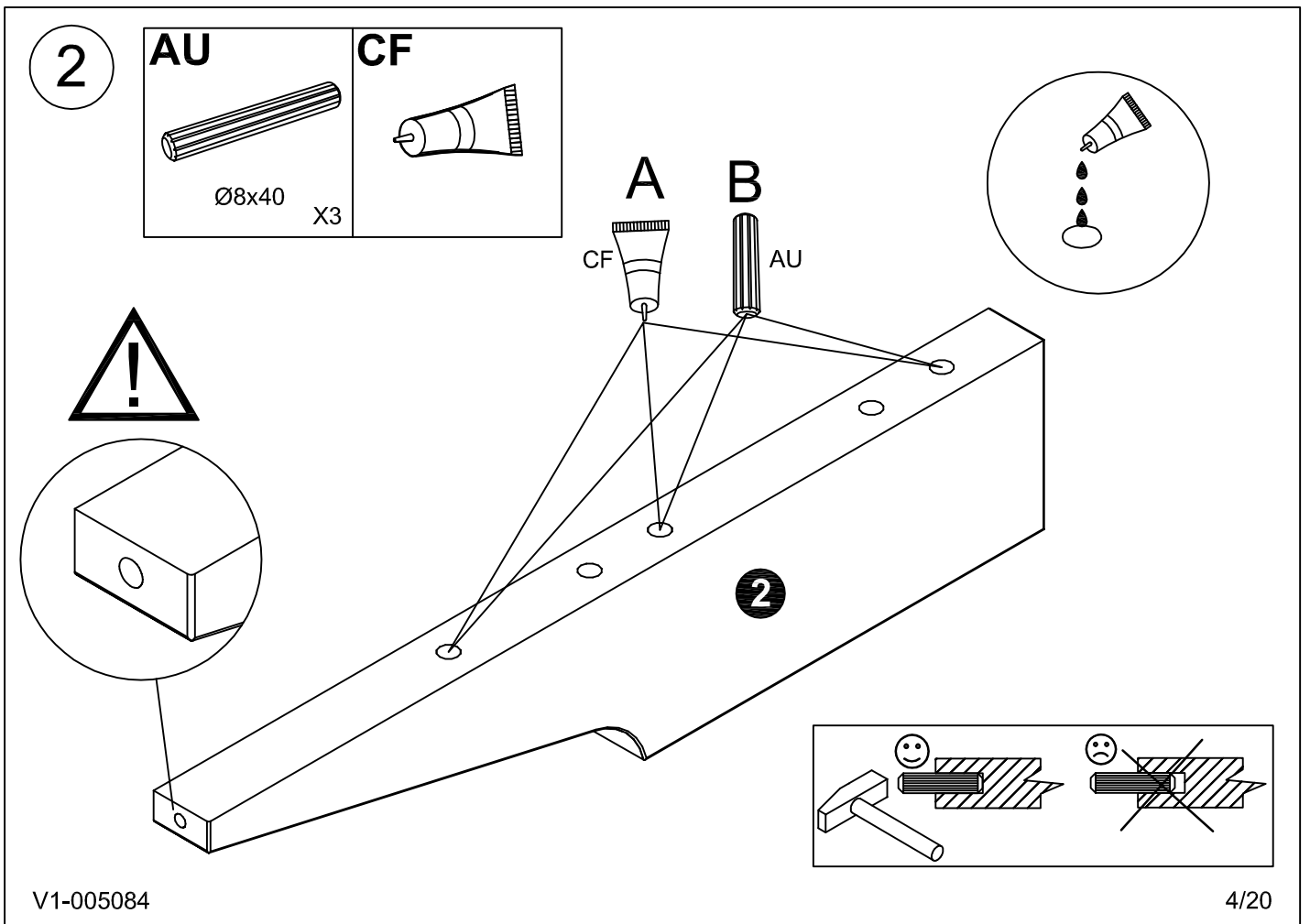
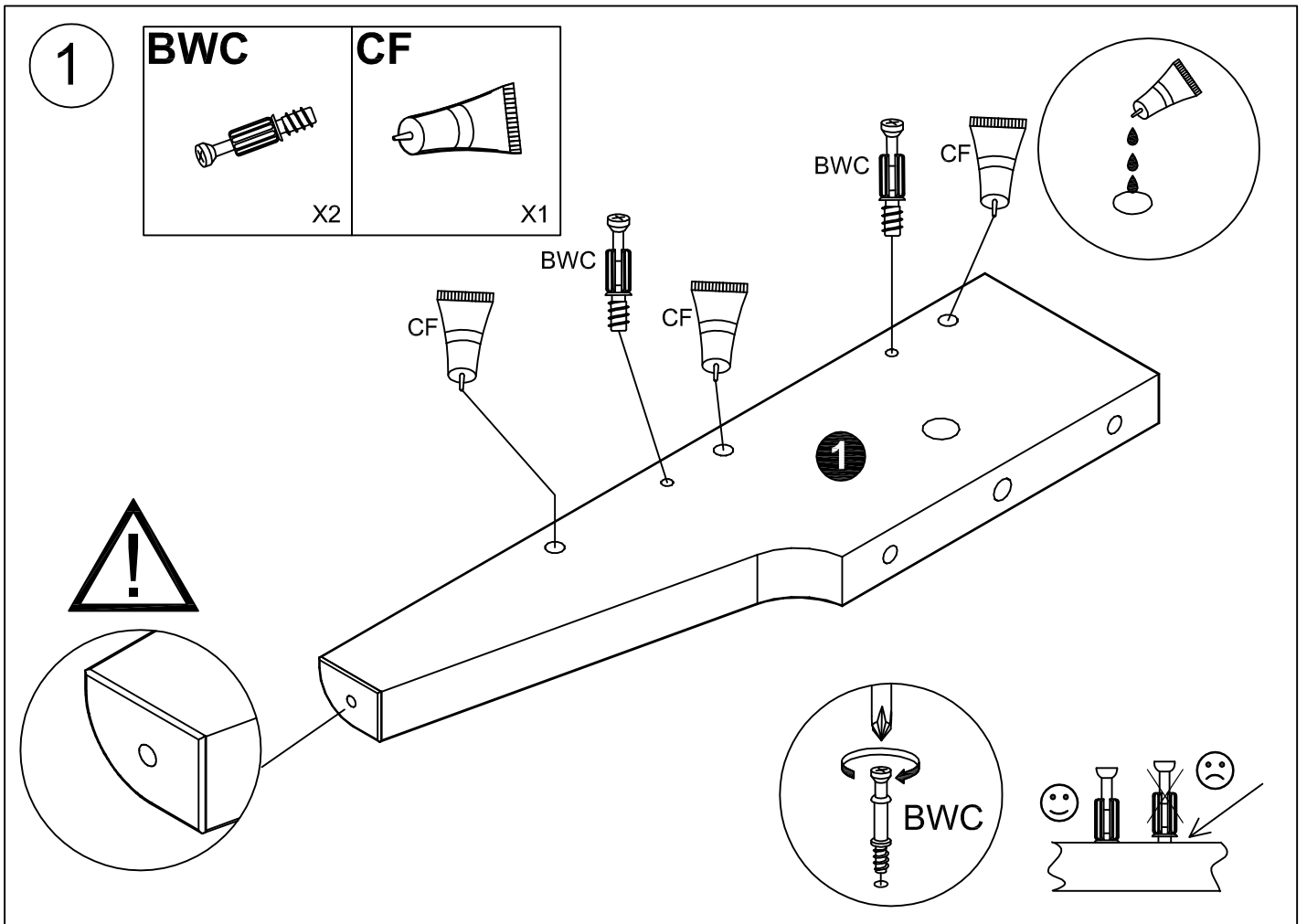


 <b>60 MIN</b>				
---	---	---	---	---

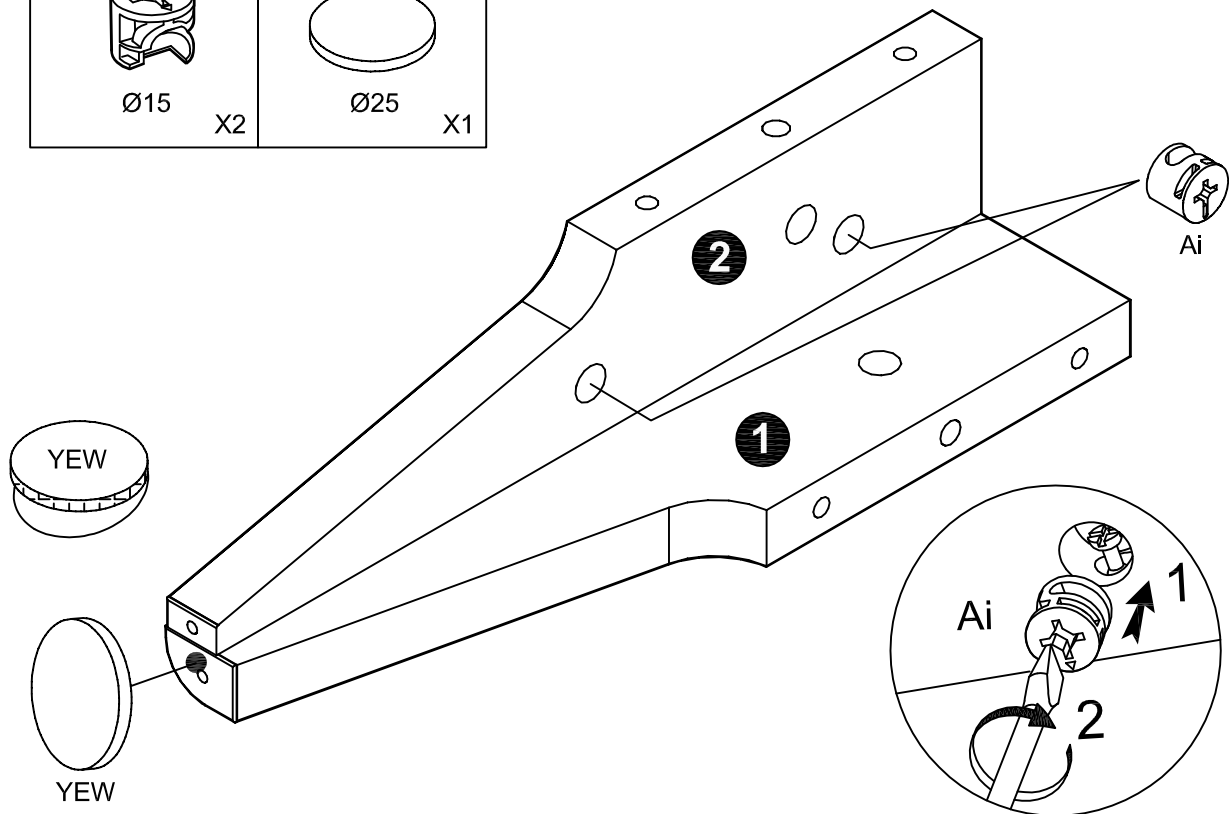


<b>AII</b>  X1	<b>ZJ8</b>  X1				
<b>BLL</b>  X4	<b>ZXI</b>  X2	<b>BLR</b>  X4	<b>HV</b>  X1	<b>ZF9</b>  X1	
<b>YEW</b>  Ø25 X5	<b>CF</b>  X1	<b>YFR</b>  Ø14x14 X6	<b>YFT</b>  M8x10 X6	<b>UQ</b>  M6 X4	<b>YKT</b>  X2
<b>BWC</b>  X4	<b>ZQ</b>  Ø4x20 X8	<b>VB</b>  Ø6.3x13 X28	<b>YEF</b>  X8	<b>Ai</b>  Ø15 X4	<b>AHX</b>  Ø15 X6
<b>YKD</b>  M6x80 X6	<b>ZG3</b>  M6x50 X2	<b>UX</b>  Ø4x40 X4	<b>AU</b>  Ø8x40 X28	<b>YFS</b>  M6x45 X6	<b>BZG</b>  M6x30 X4


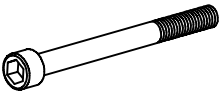


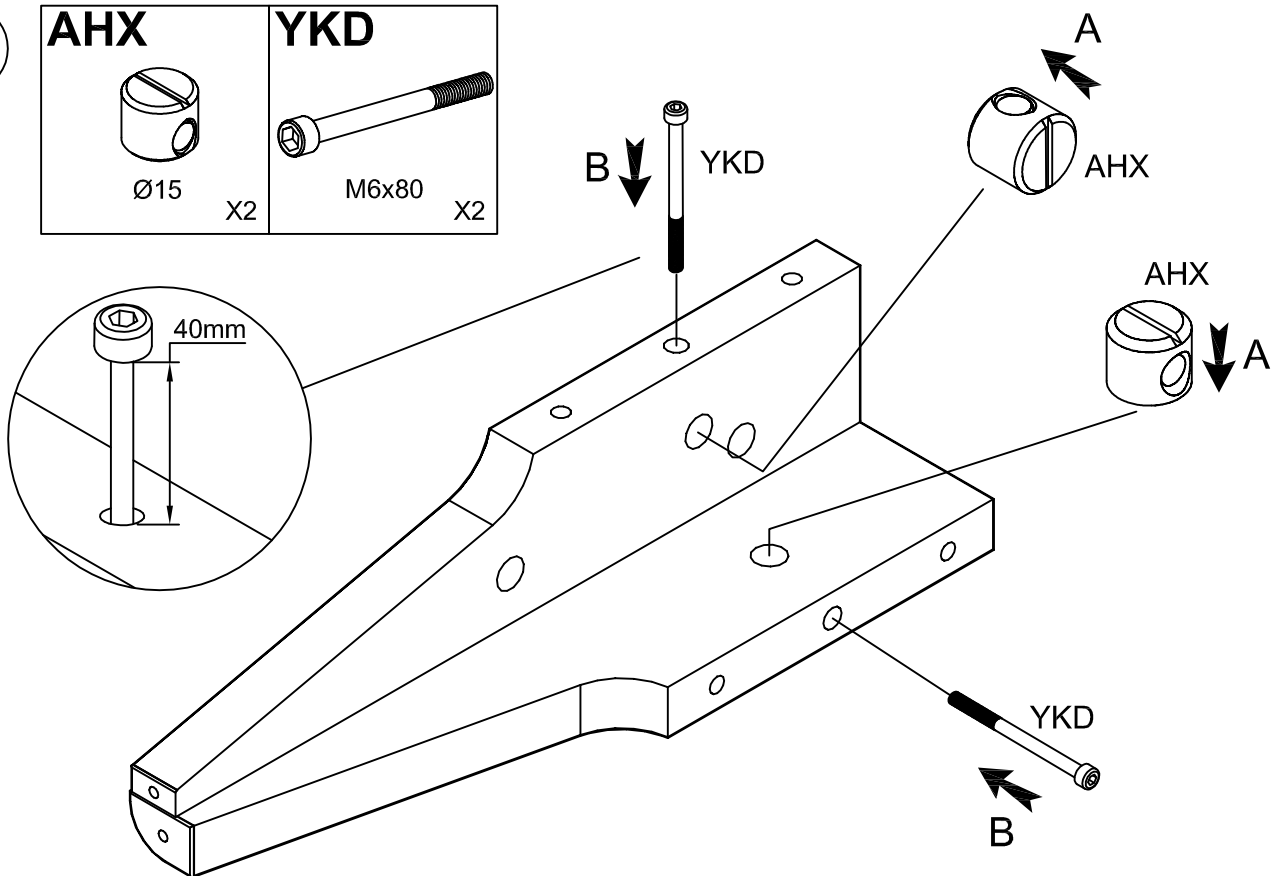
3

<b>Ai</b>  Ø15 X2	<b>YEW</b>  Ø25 X1
--	---



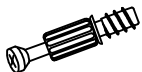
4

<b>AHX</b>  Ø15 X2	<b>YKD</b>  M6x80 X2
---	---



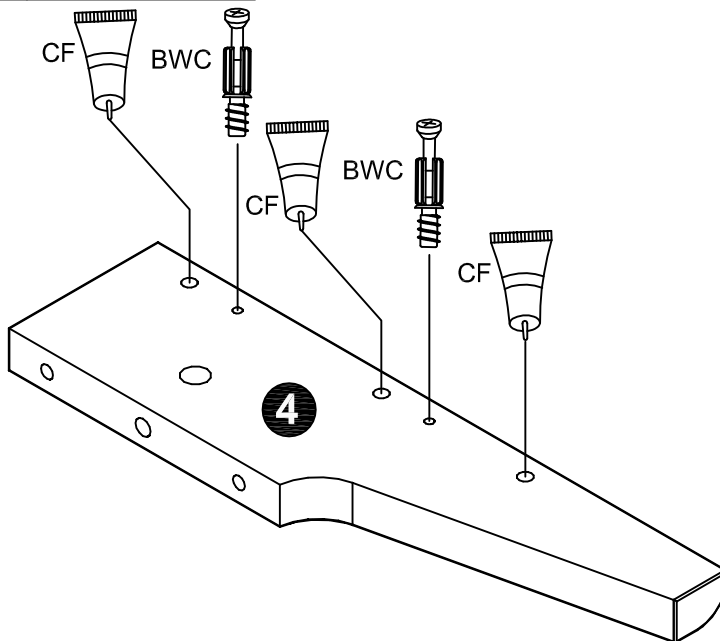
5

**BWC**



X2

**CF**



6

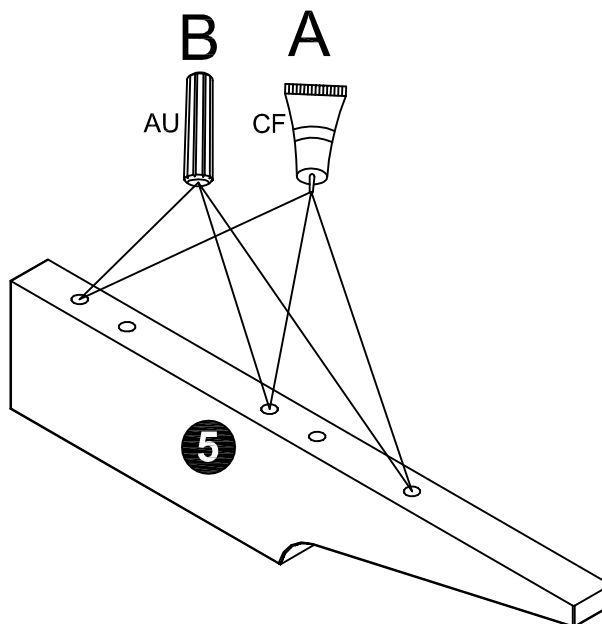
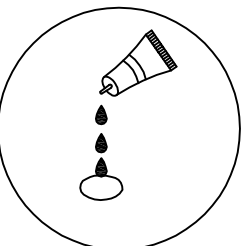
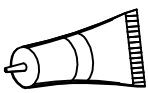
**AU**



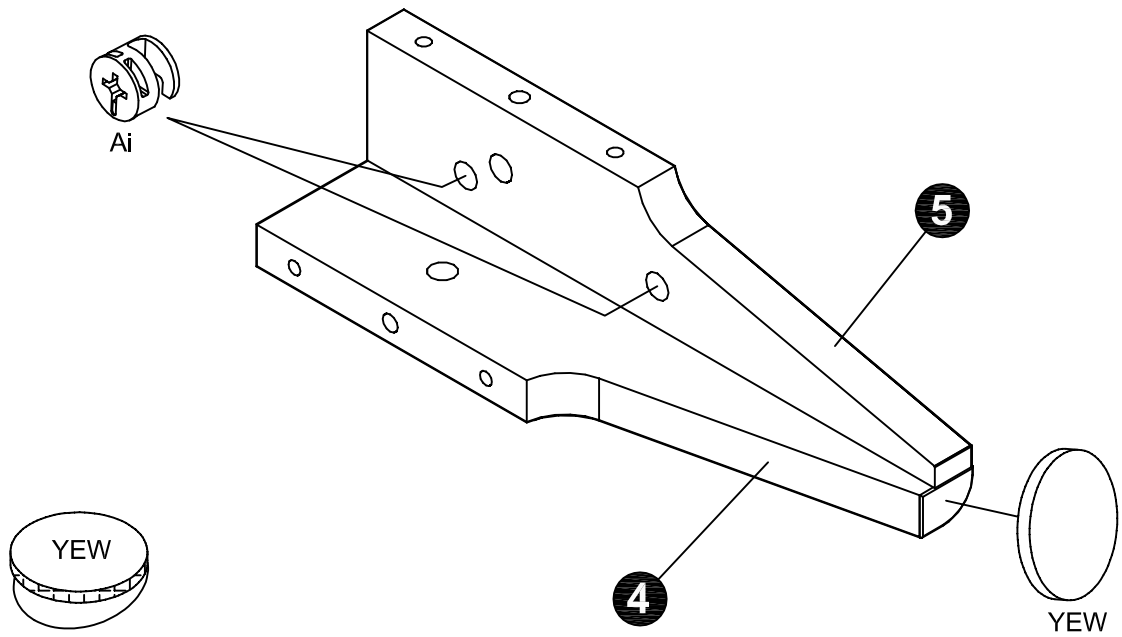
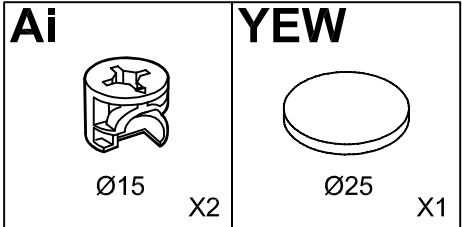
Ø8x40

X3

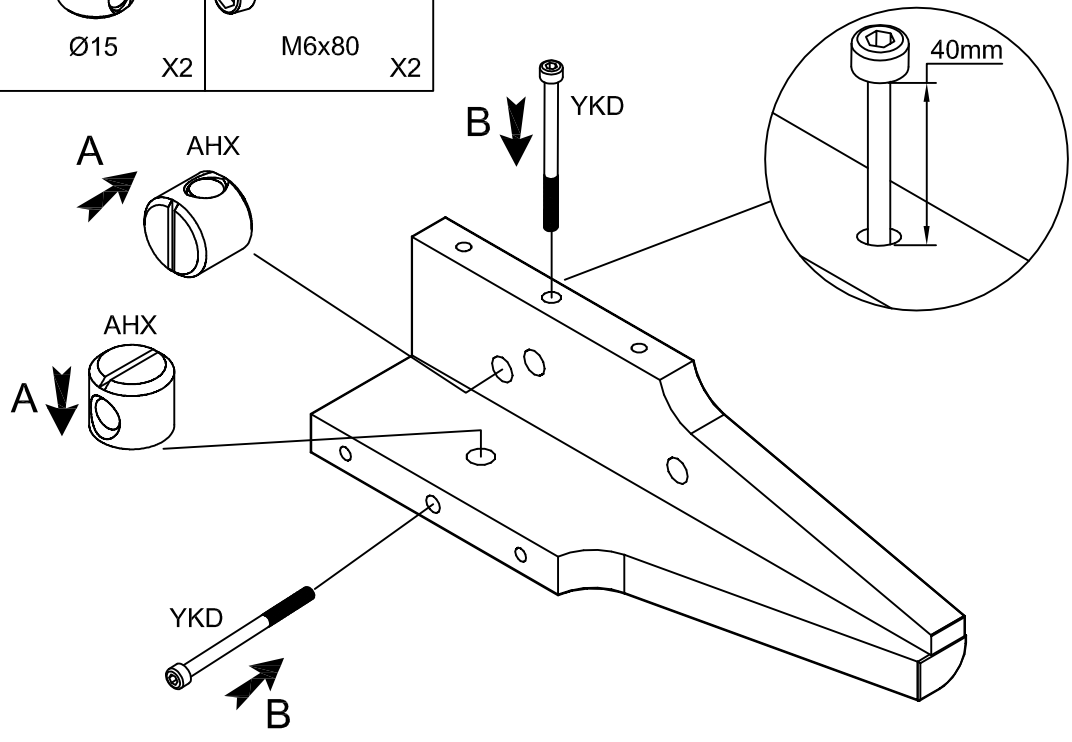
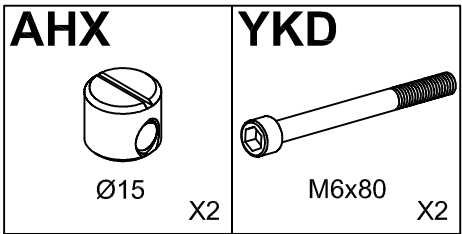
**CF**



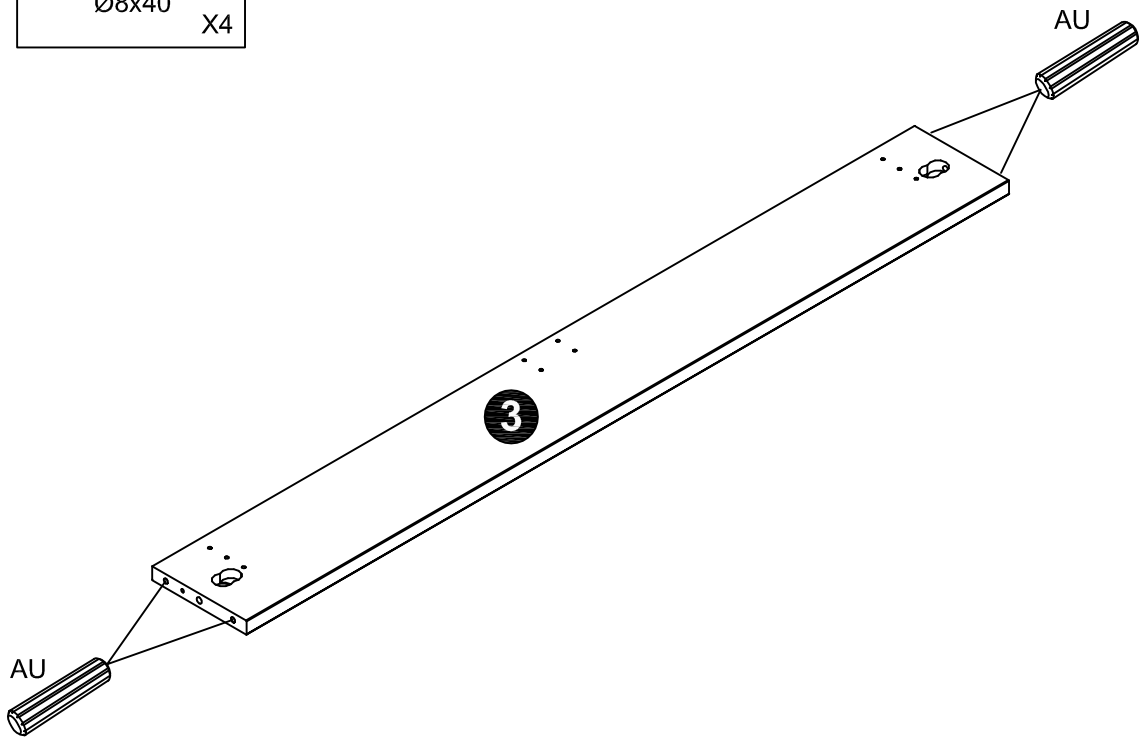
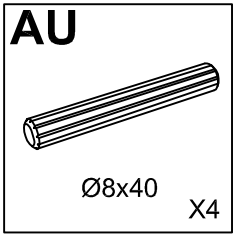
7



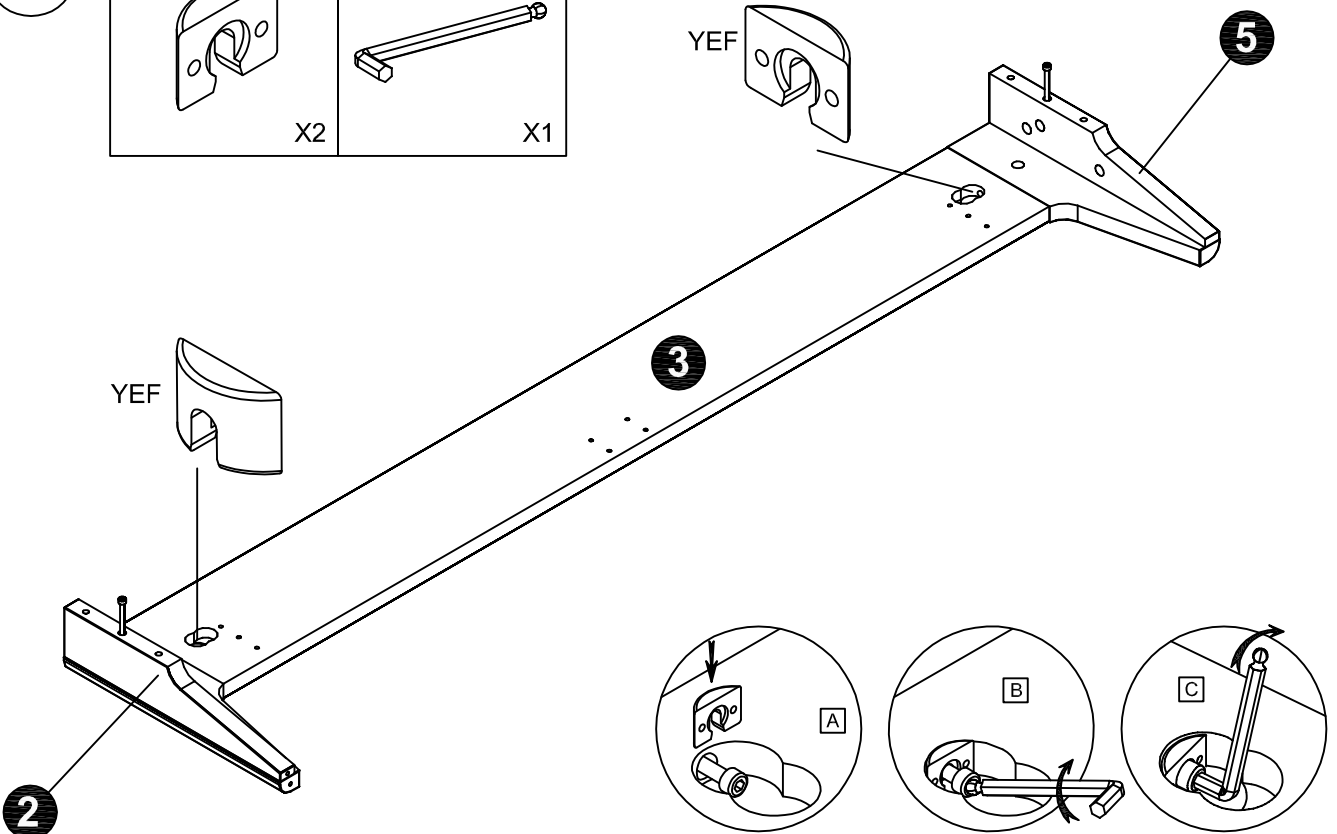
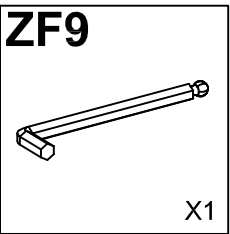
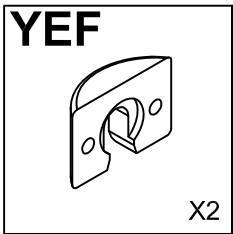
8



9

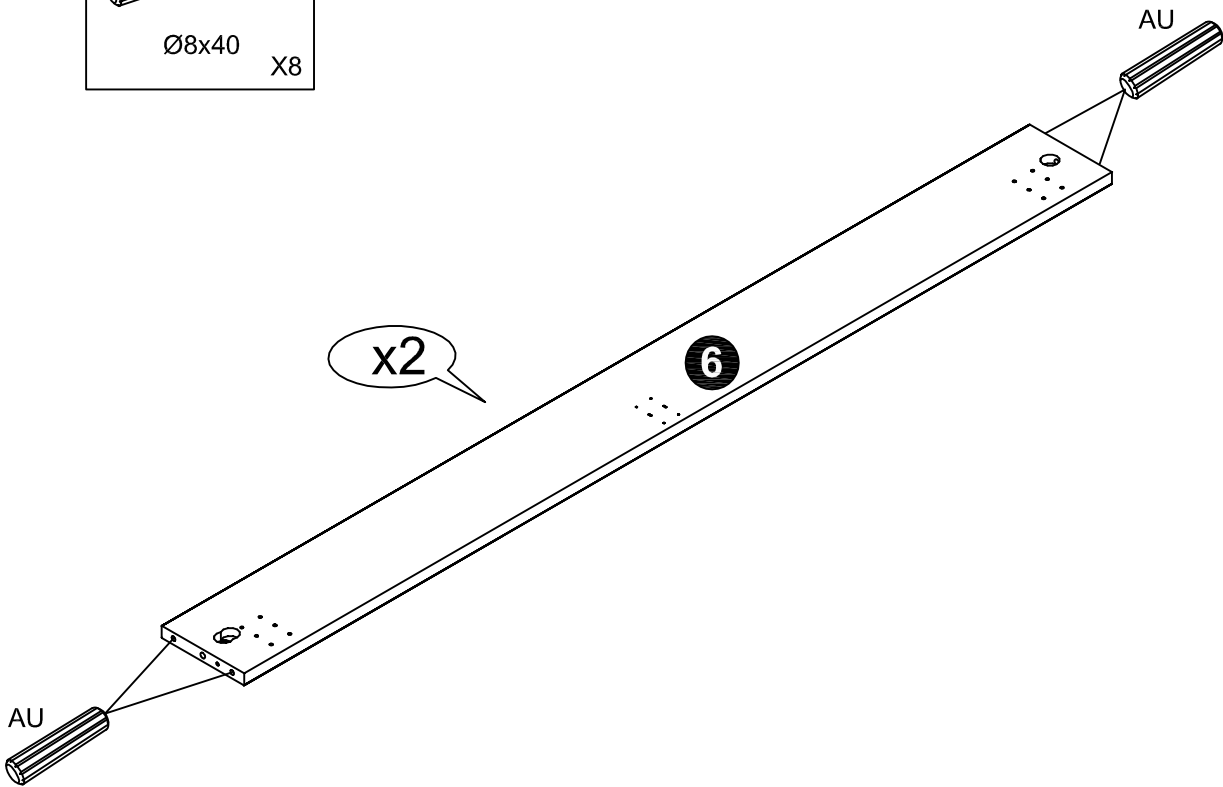
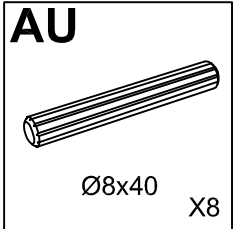


10

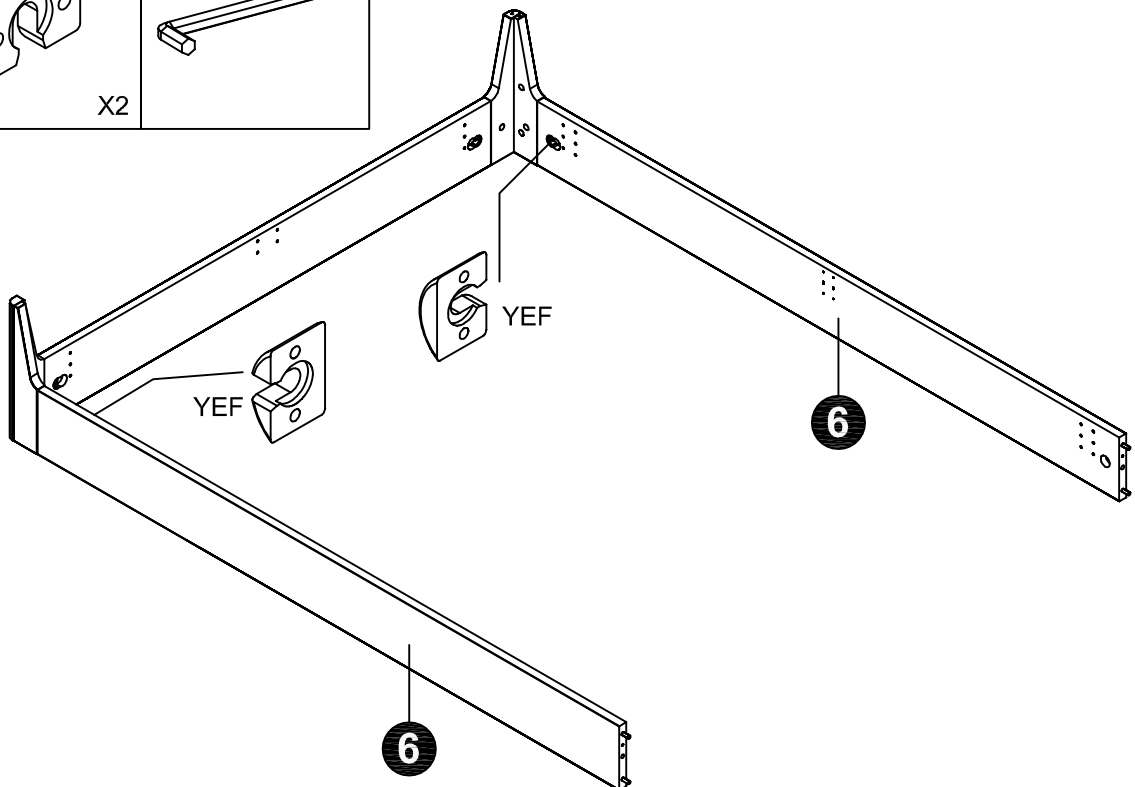
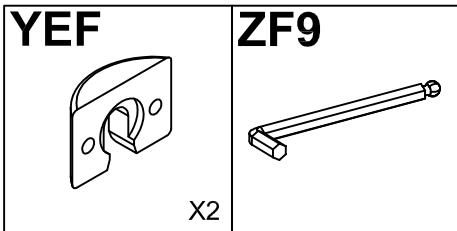




11



12



13

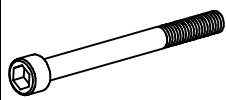
AHX



Ø15

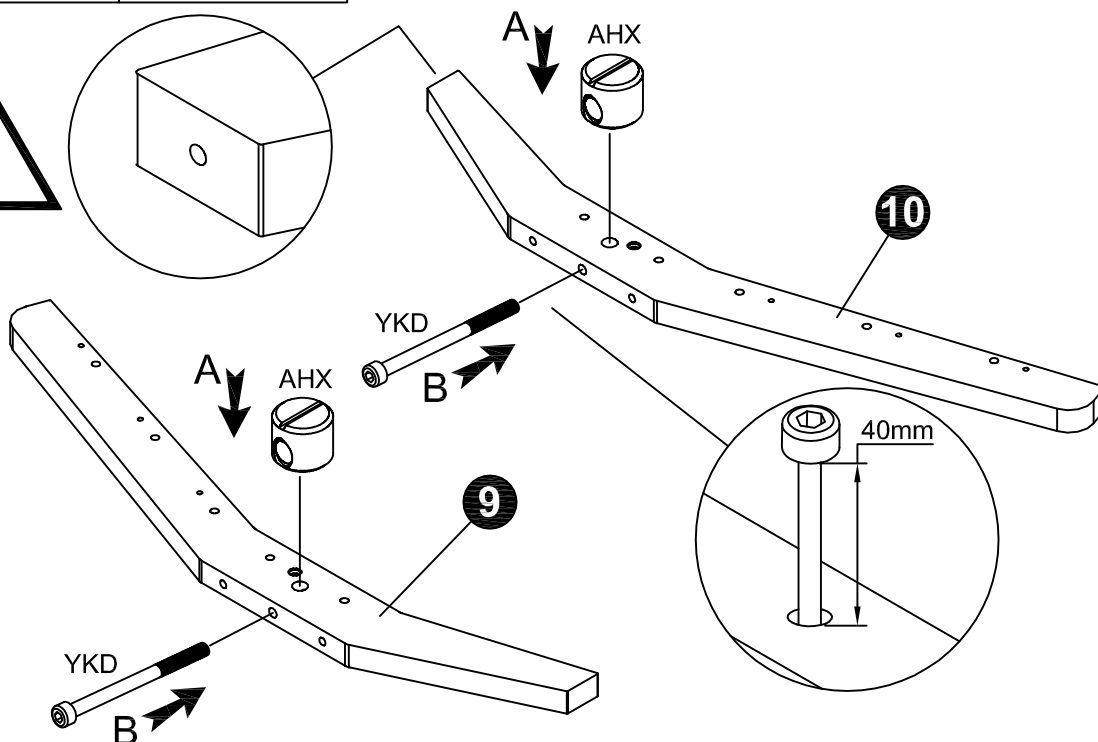
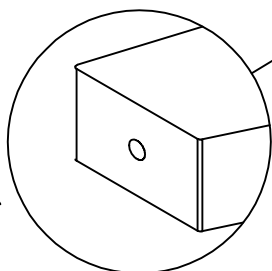
X2

YKD



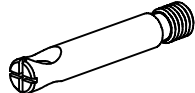
M6x80

X2



14

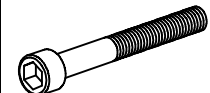
YFS



M6x45

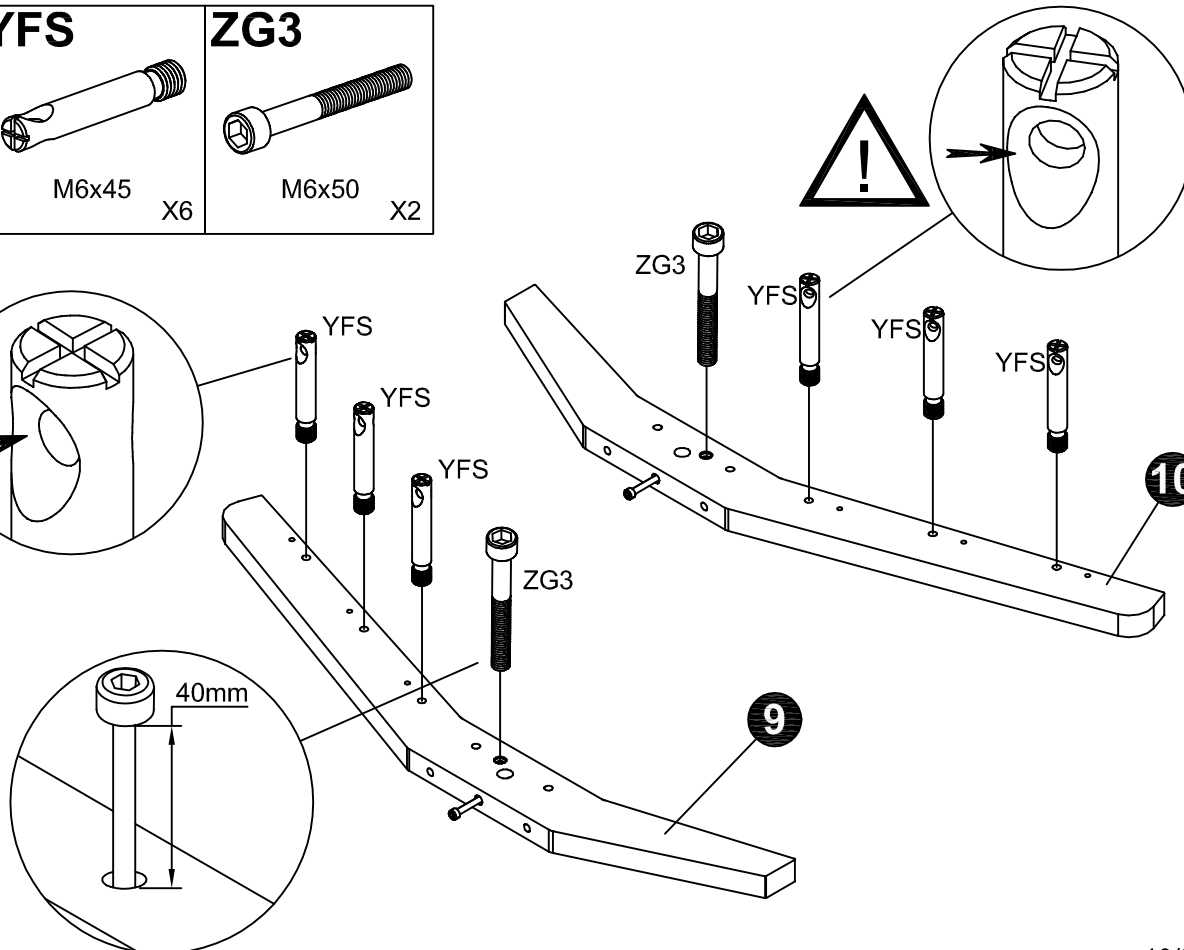
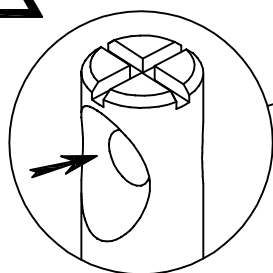
X6

ZG3

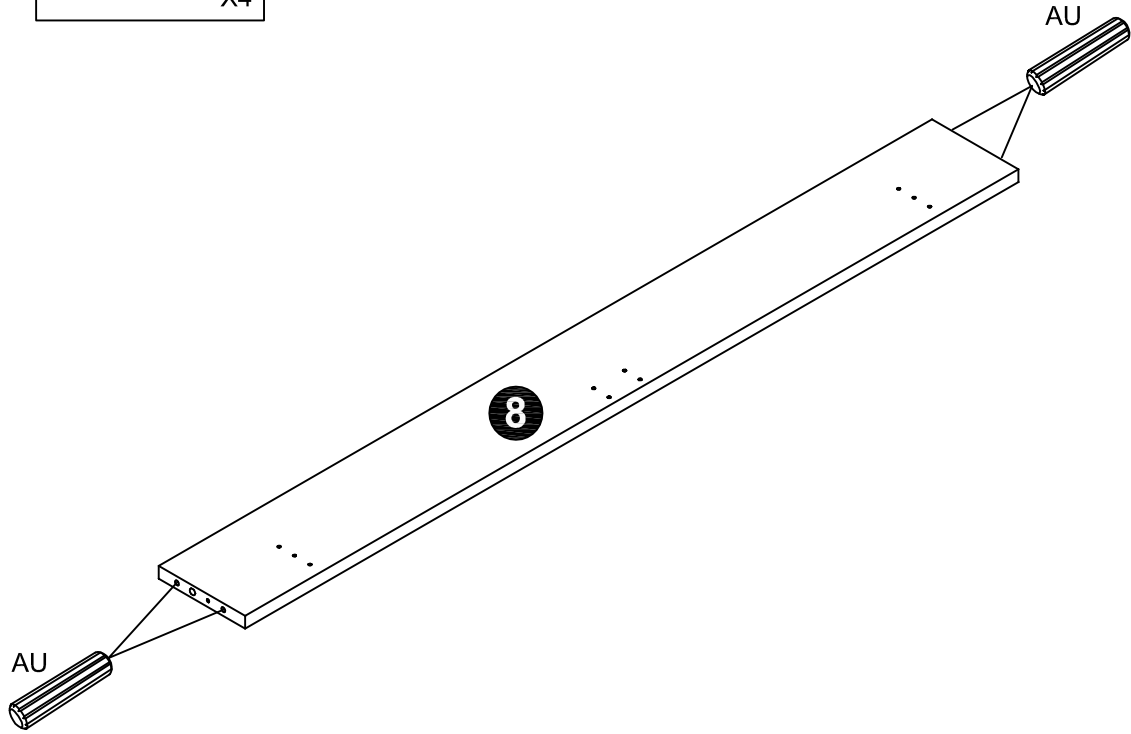
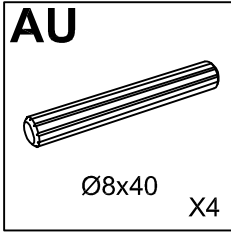


M6x50

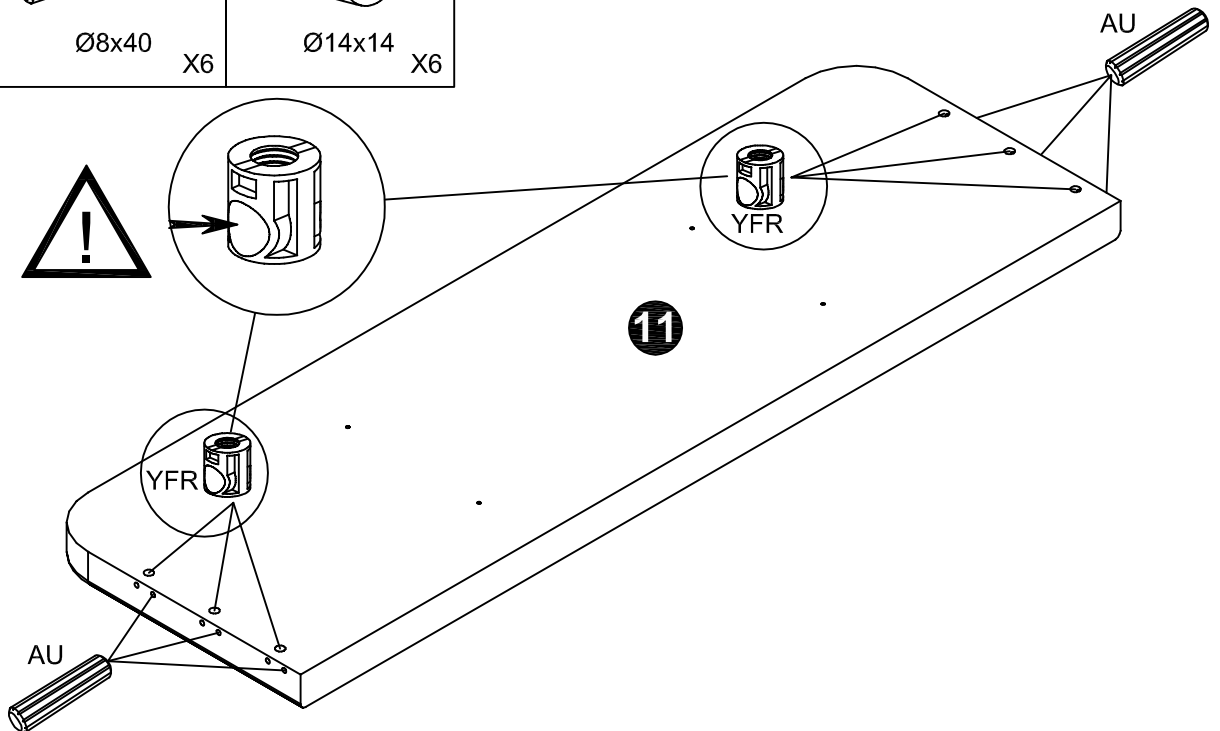
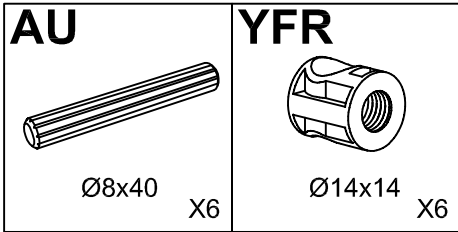
X2



15

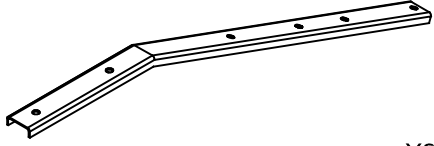


16



17

ZXI



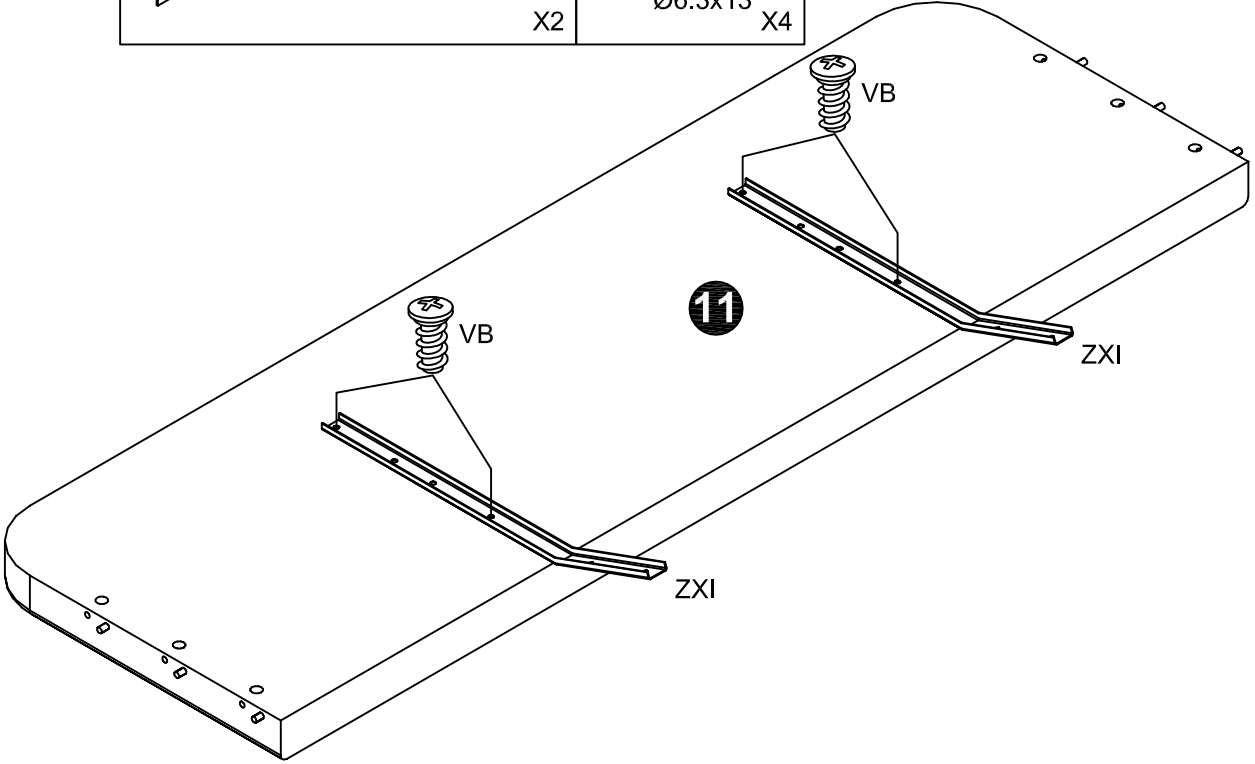
X2

VB



Ø6.3x13

X4



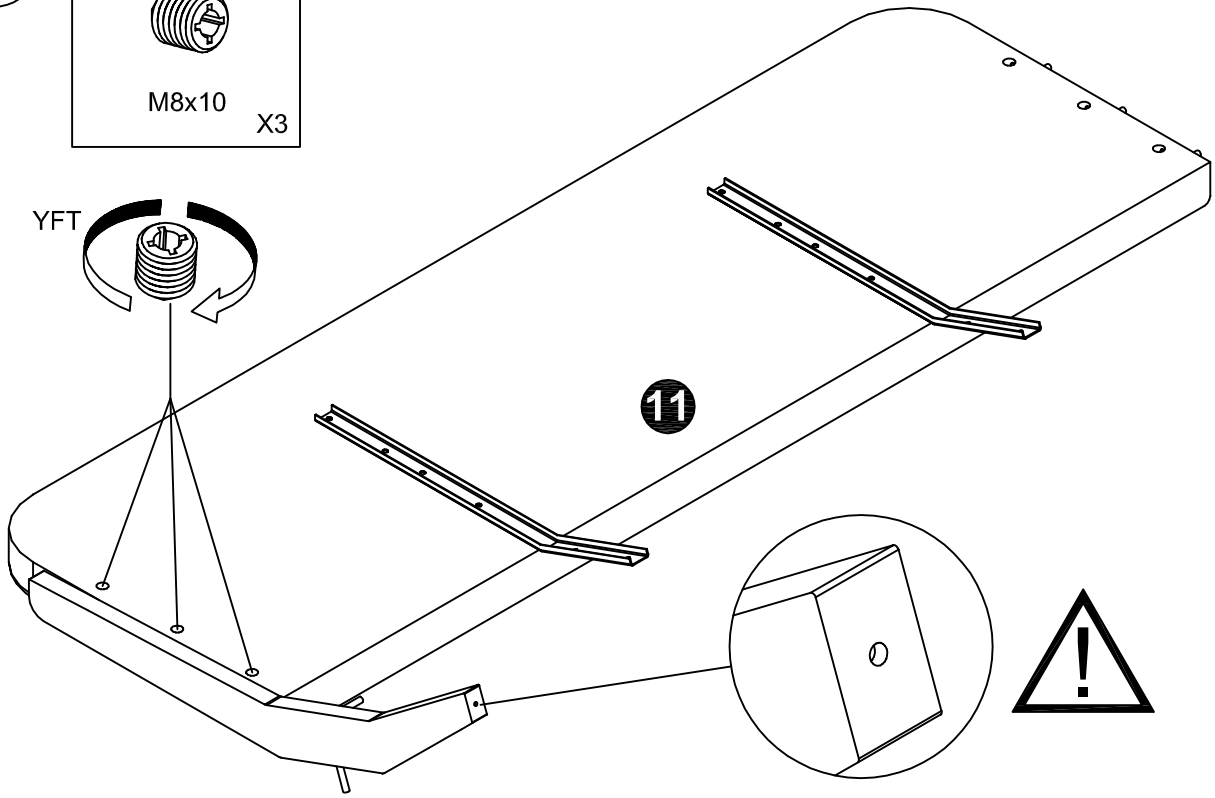
18

YFT

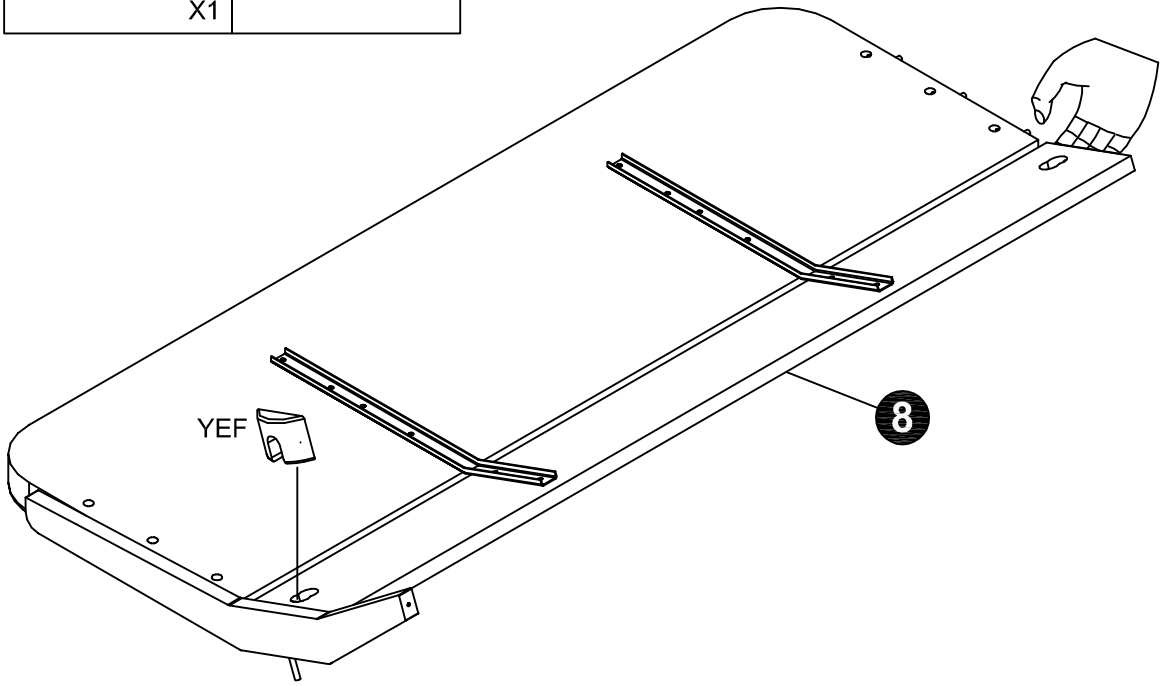
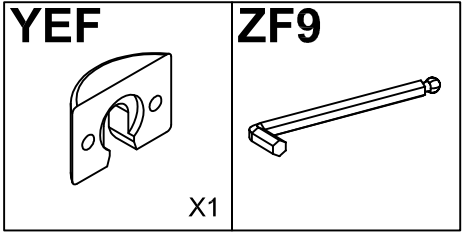


M8x10

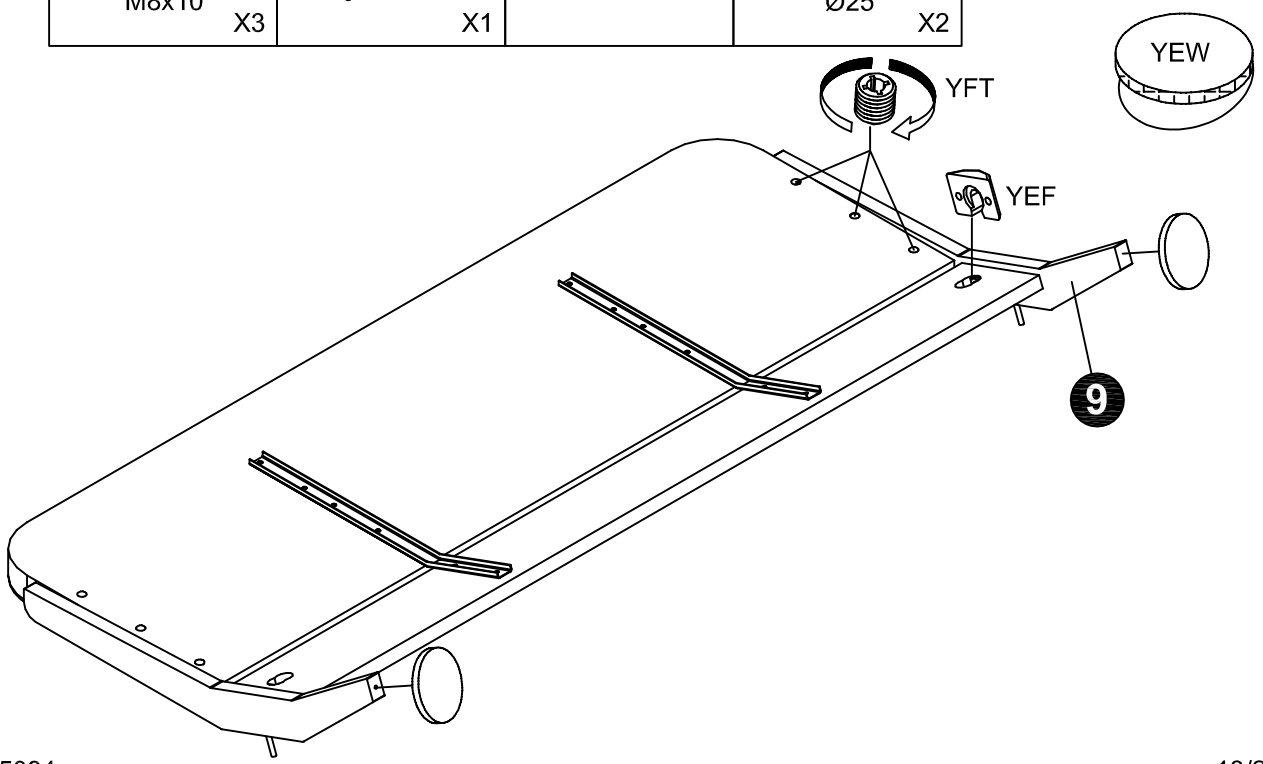
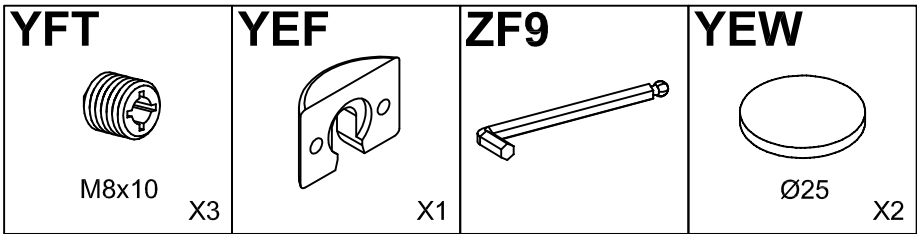
X3



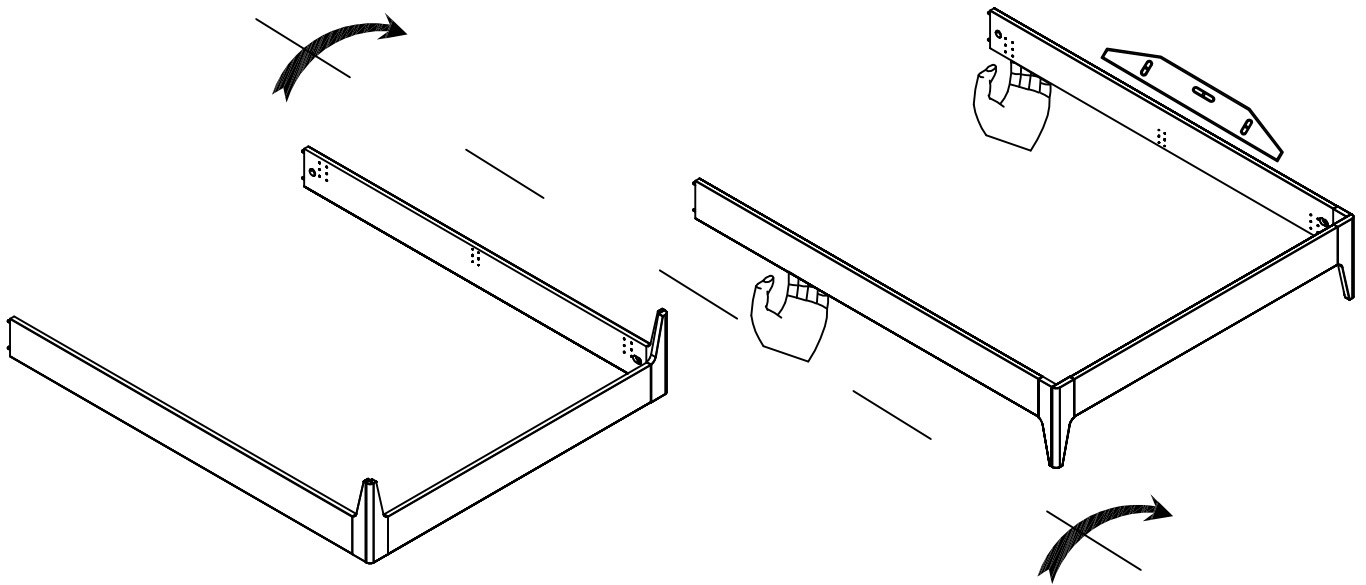
19



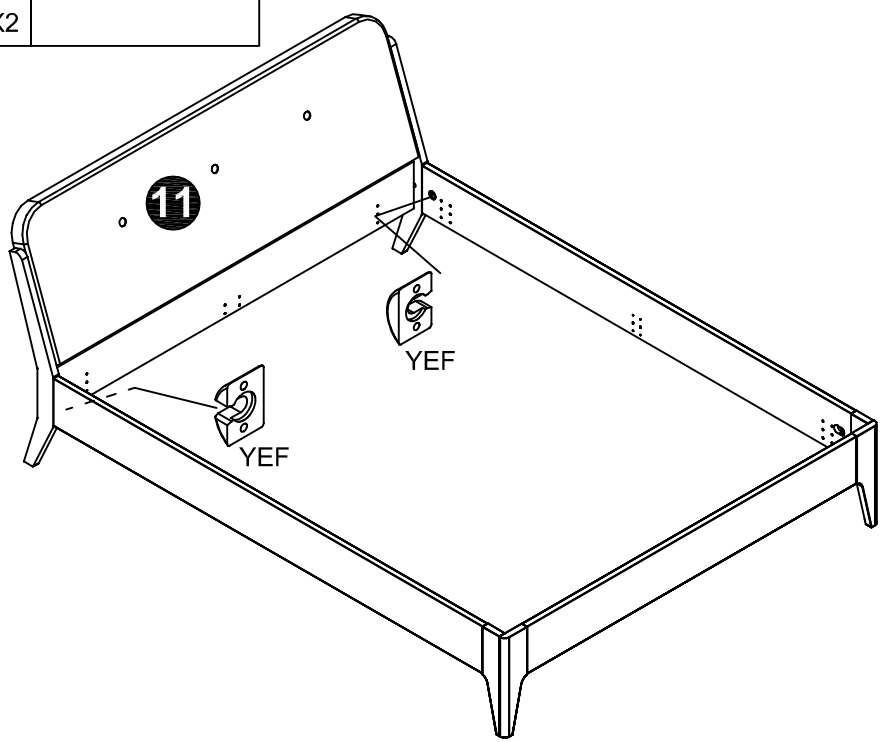
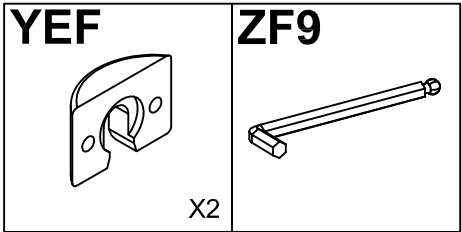
20



21

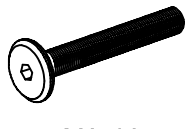


22



23

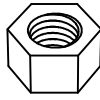
**BZG**



M6x30

X4

**UQ**



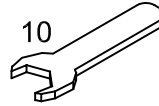
M6

X4

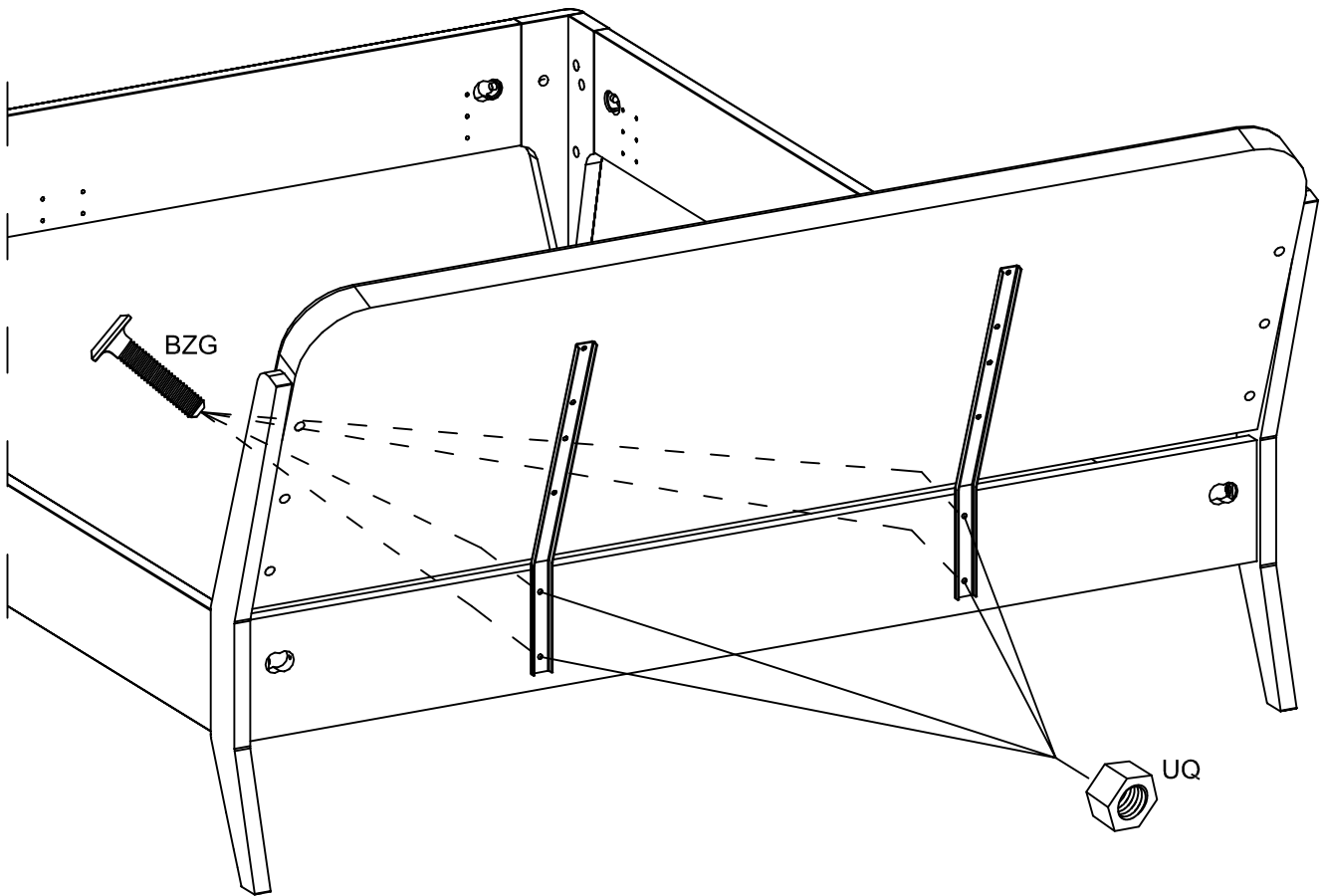
**HV**



X1



10



24

**VB**



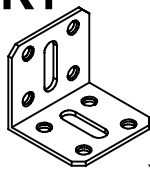
Ø6.3x13 X16

**BLR**



X4

**YKT**

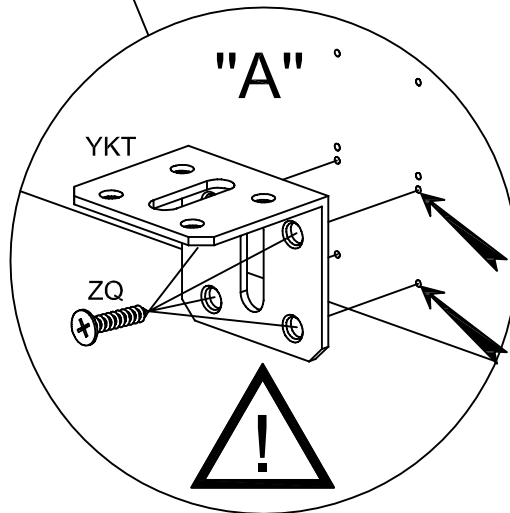
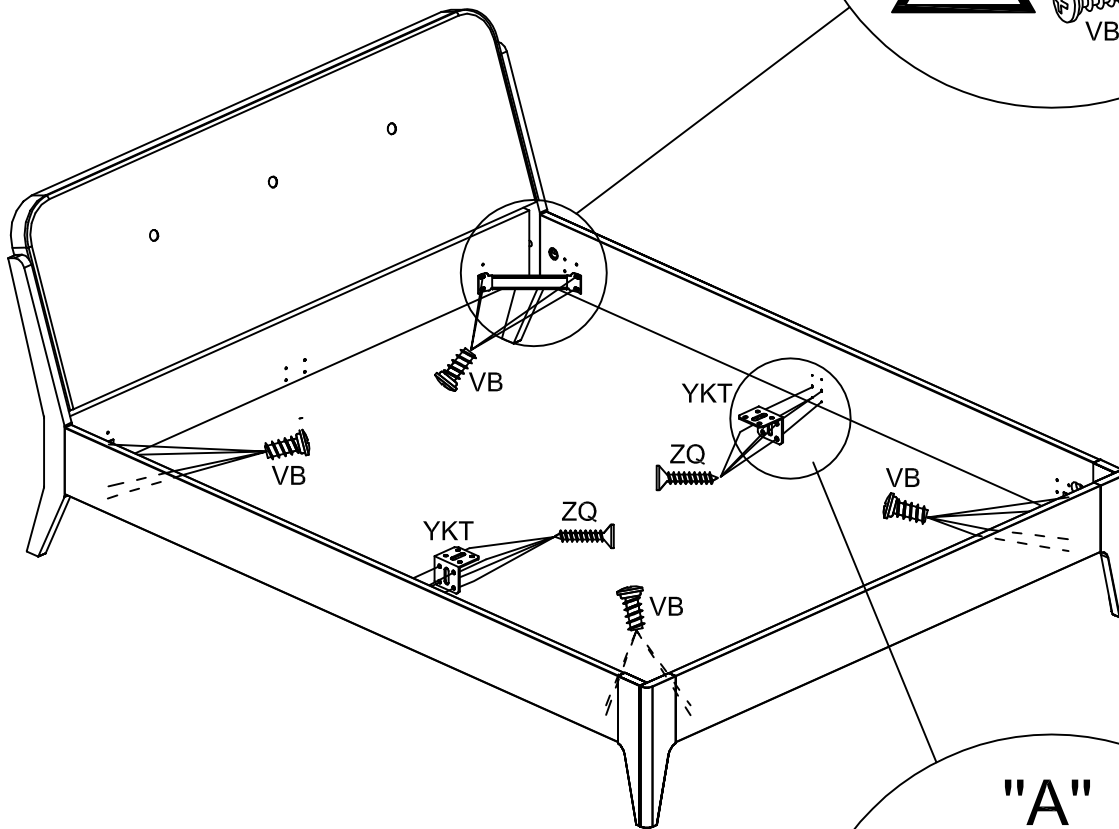
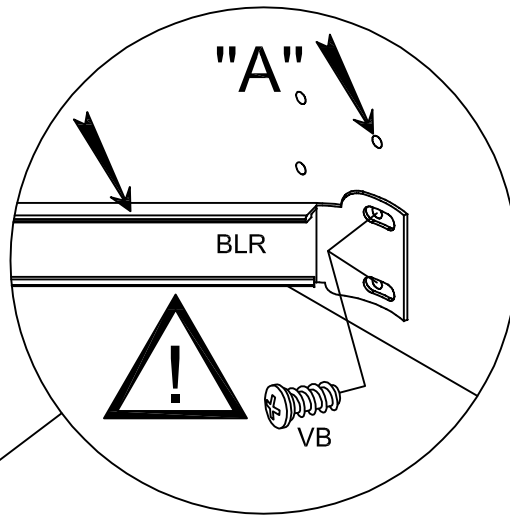
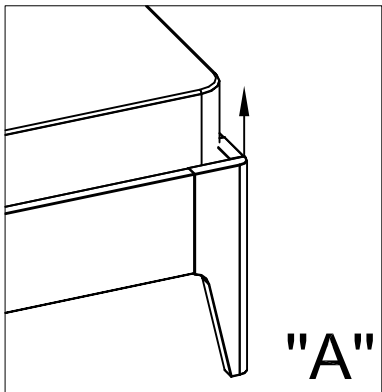


X2

**ZQ**



Ø4x20 X8





25

**VB**



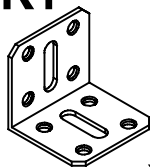
Ø6.3x13 X16

**BLR**



X4

**YKT**

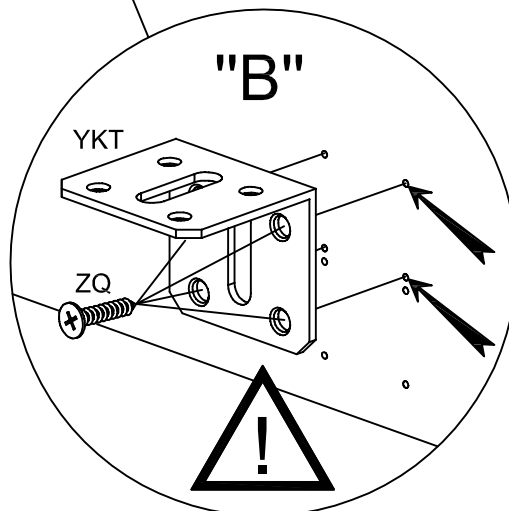
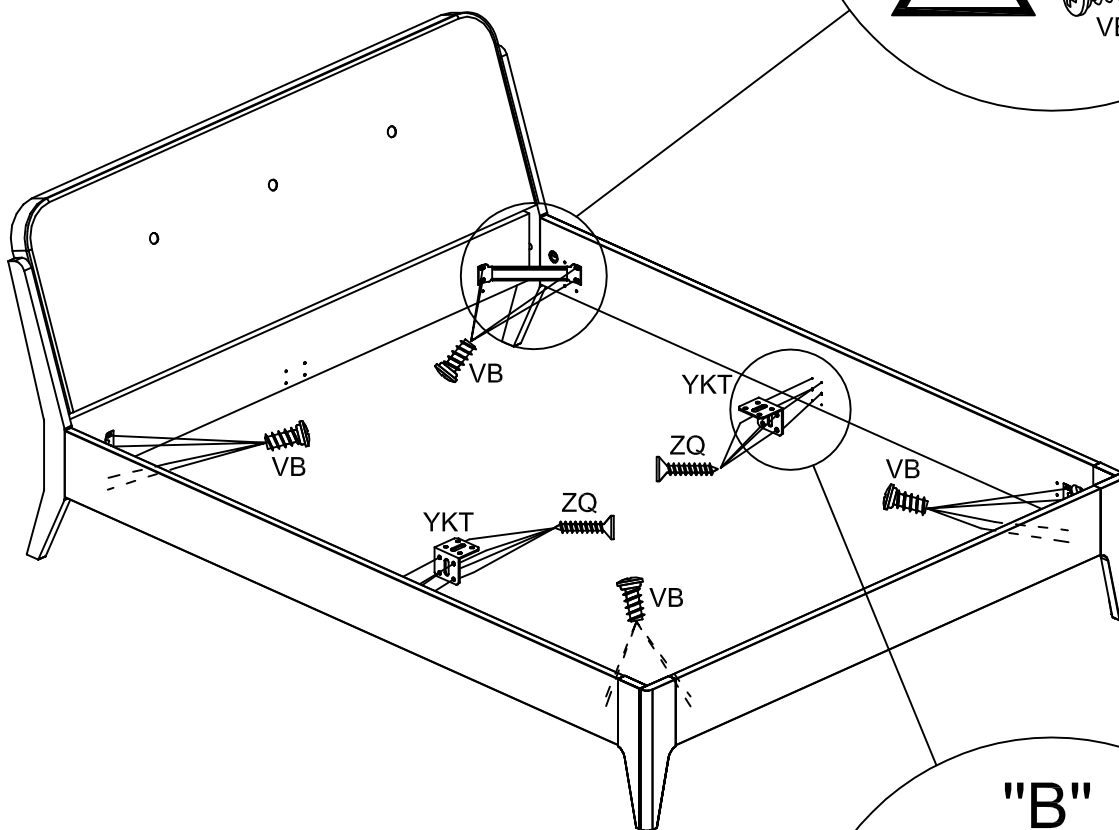
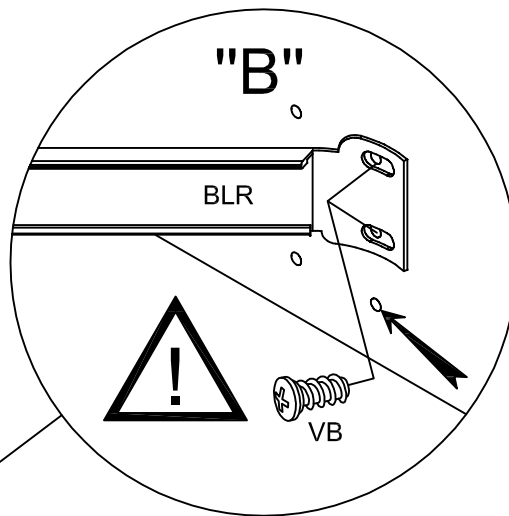
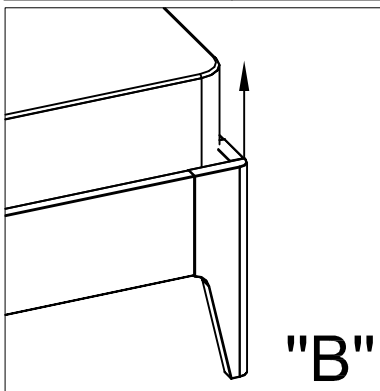


X2

**ZQ**



Ø4x20 X8



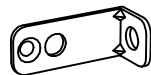
26

**VB**



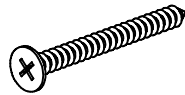
Ø6.3x13 X4

**BLL**



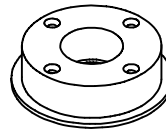
X4

**UX**

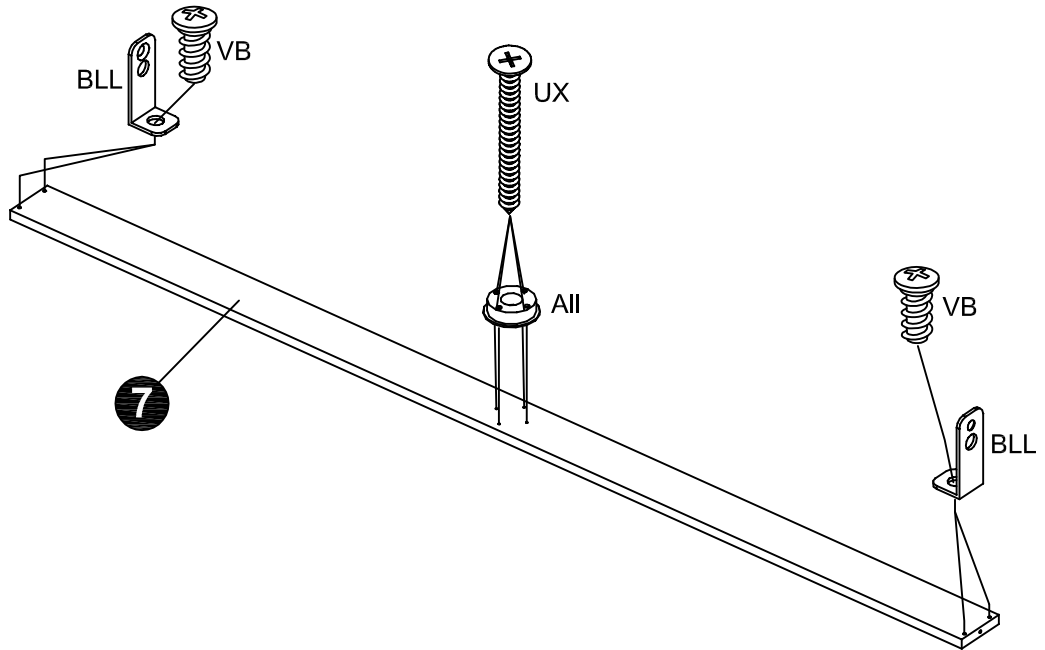


Ø4x40 X4

**All**

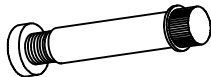


X1



27

**ZJ8**



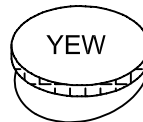
X1

**YEW**

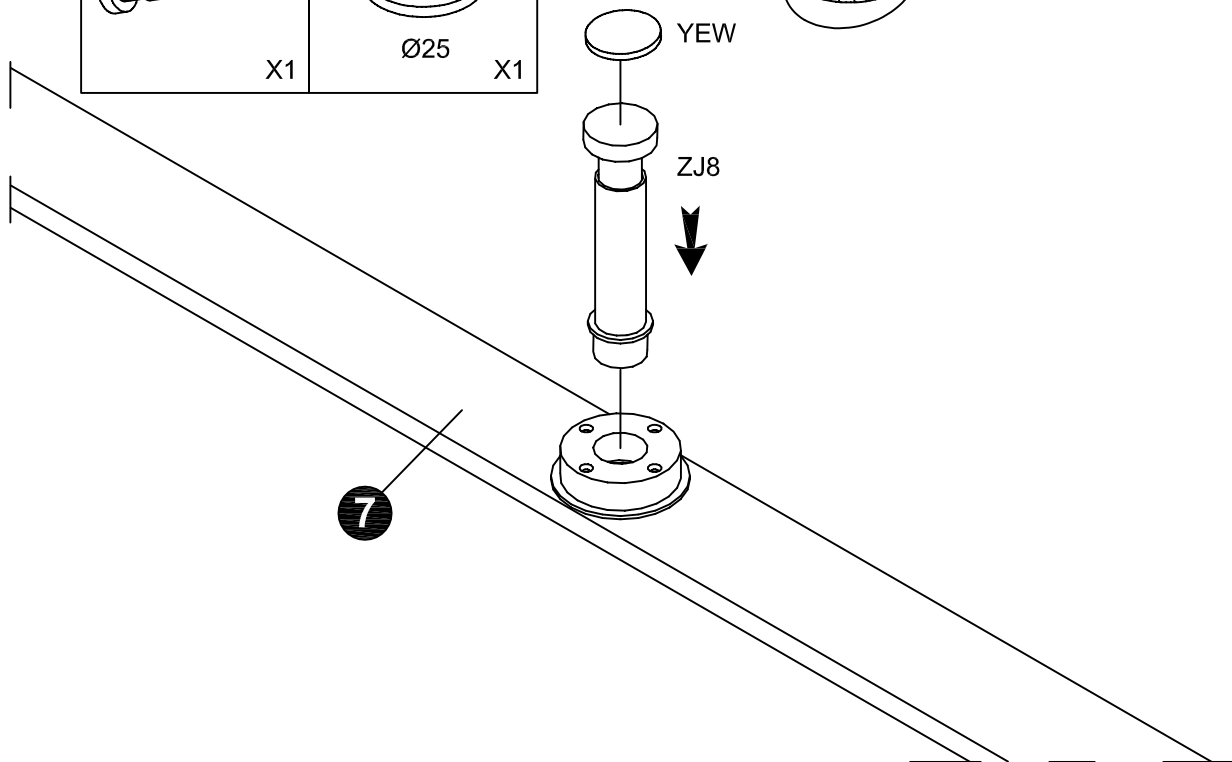


Ø25

X1



YEW

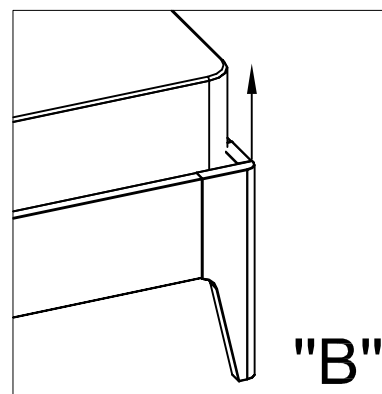
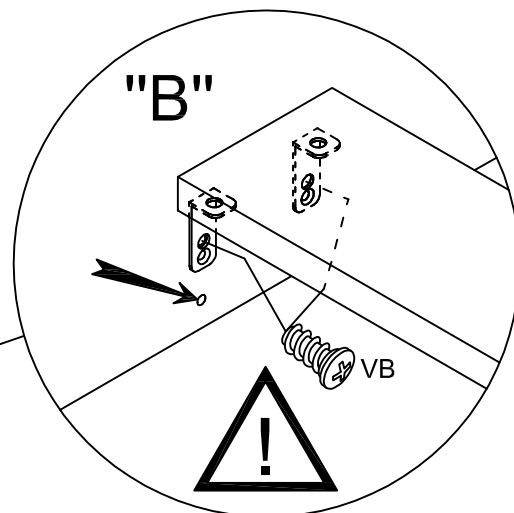
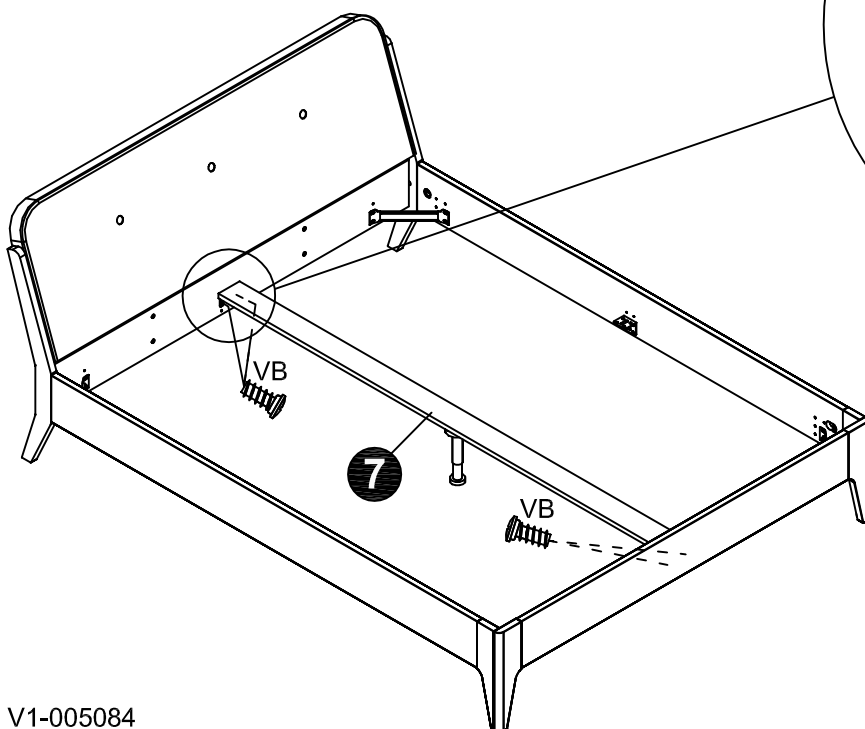
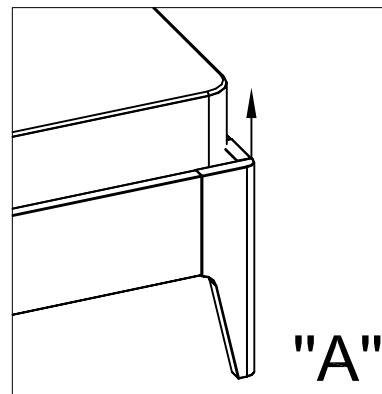
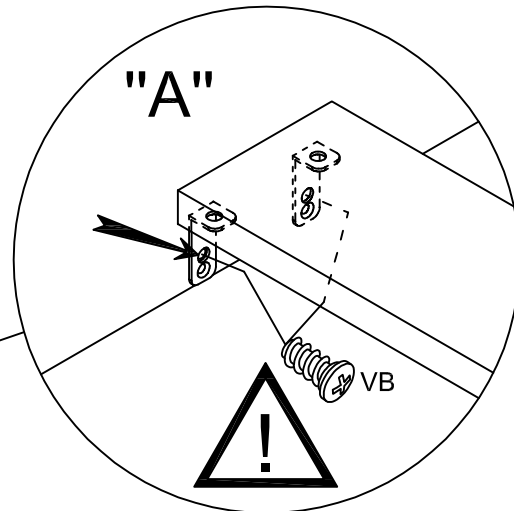
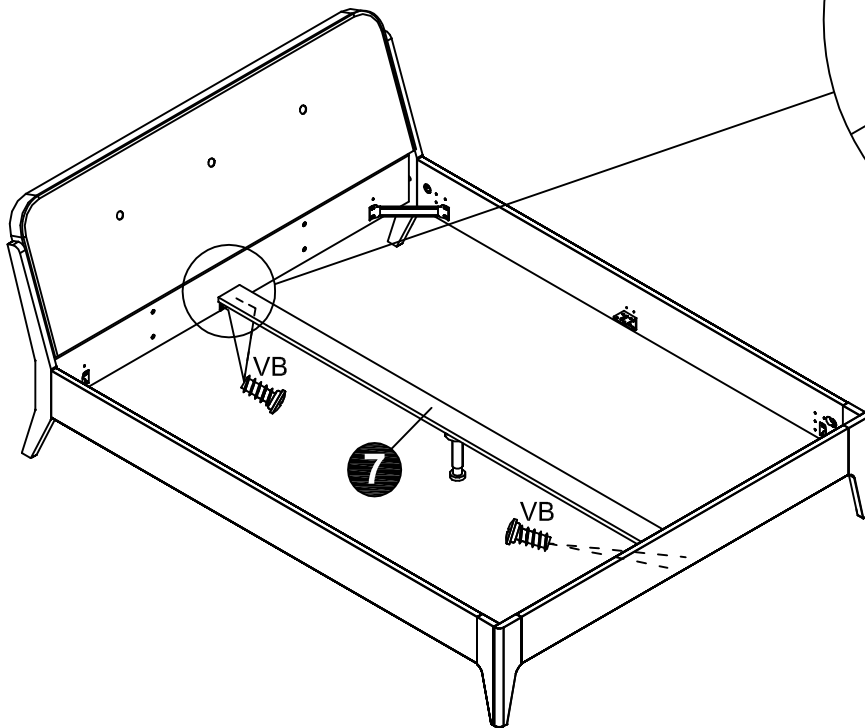


28

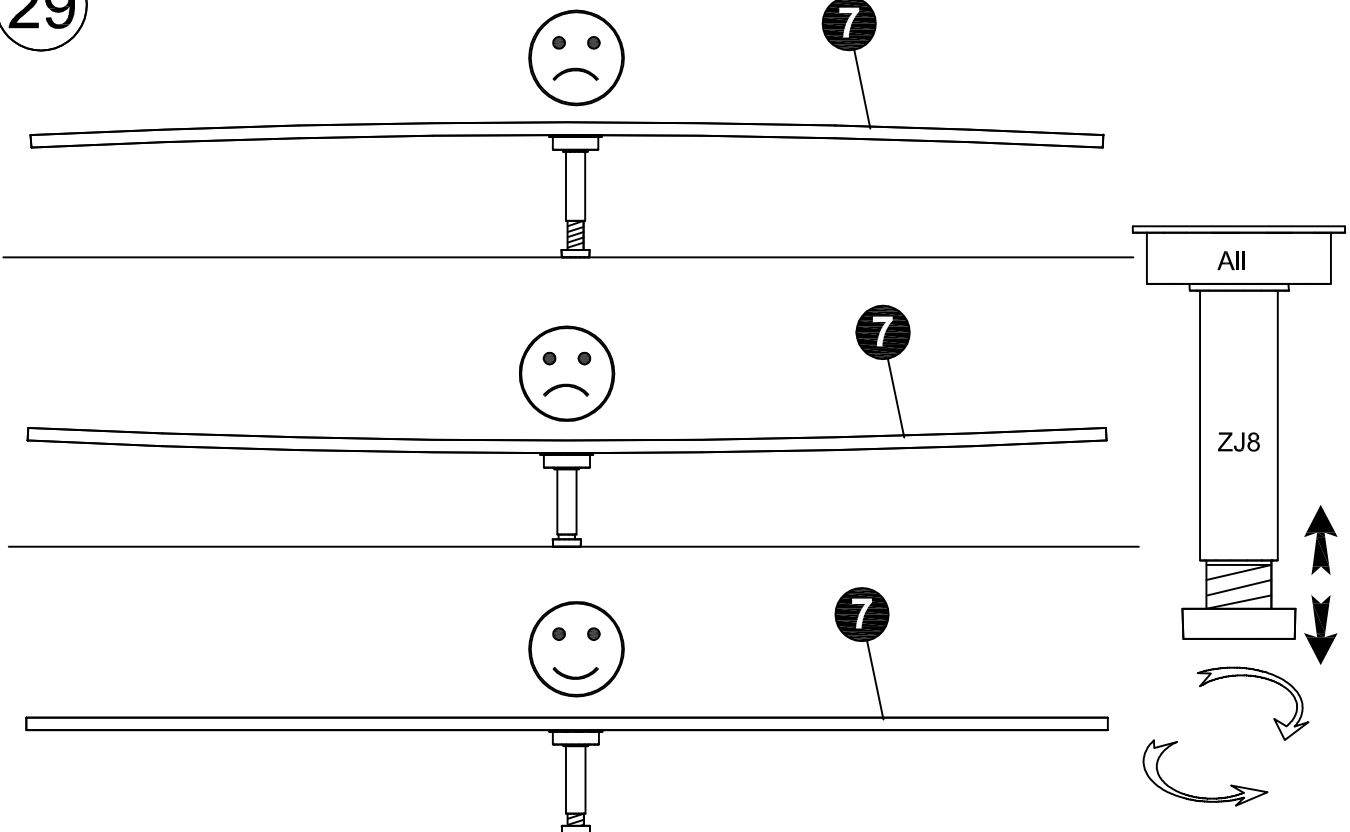
VB



Ø6.3x13 X4



29



30

