
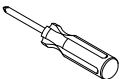
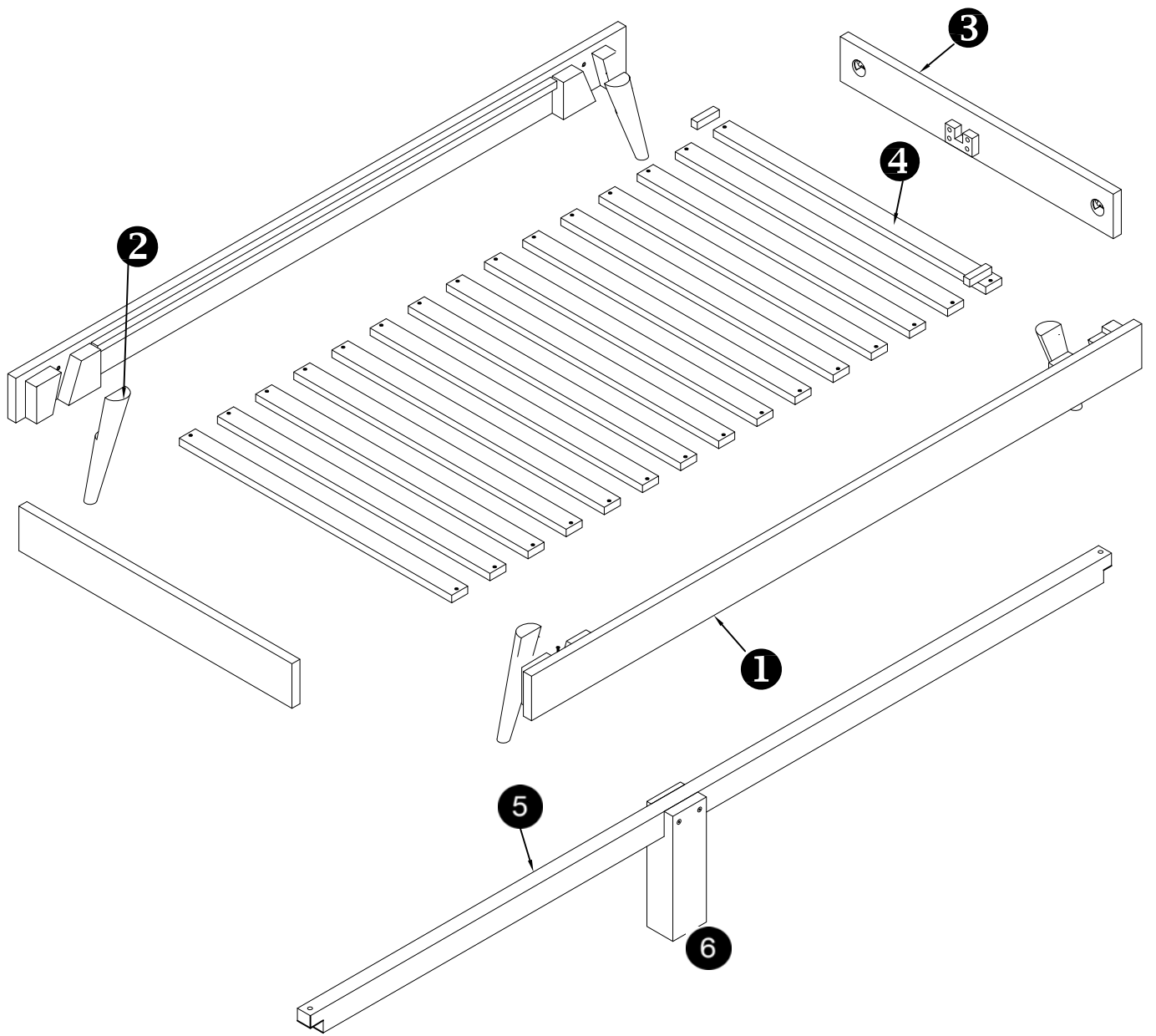






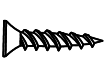
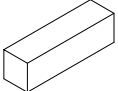
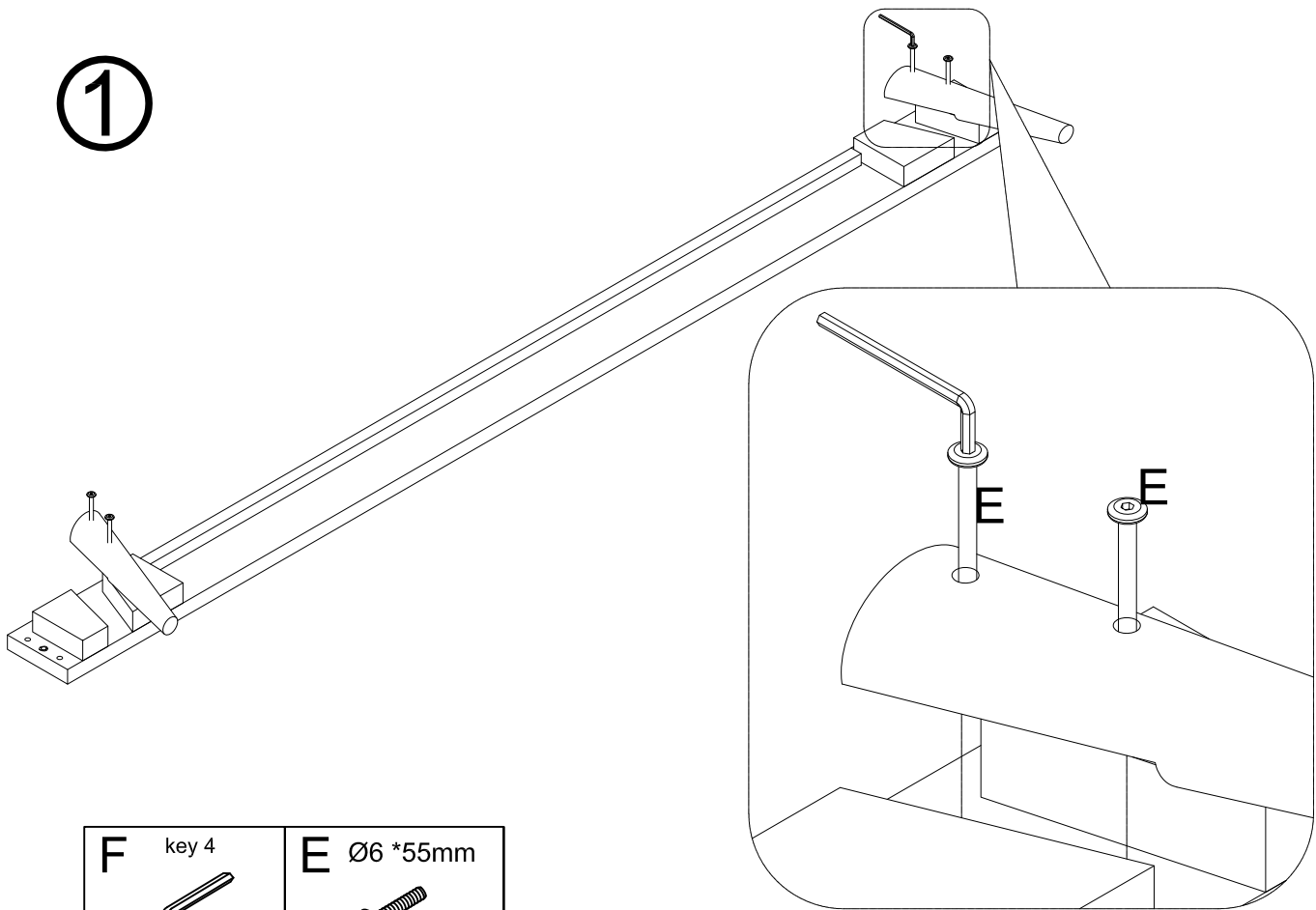


 25 MIN		
--	---	---



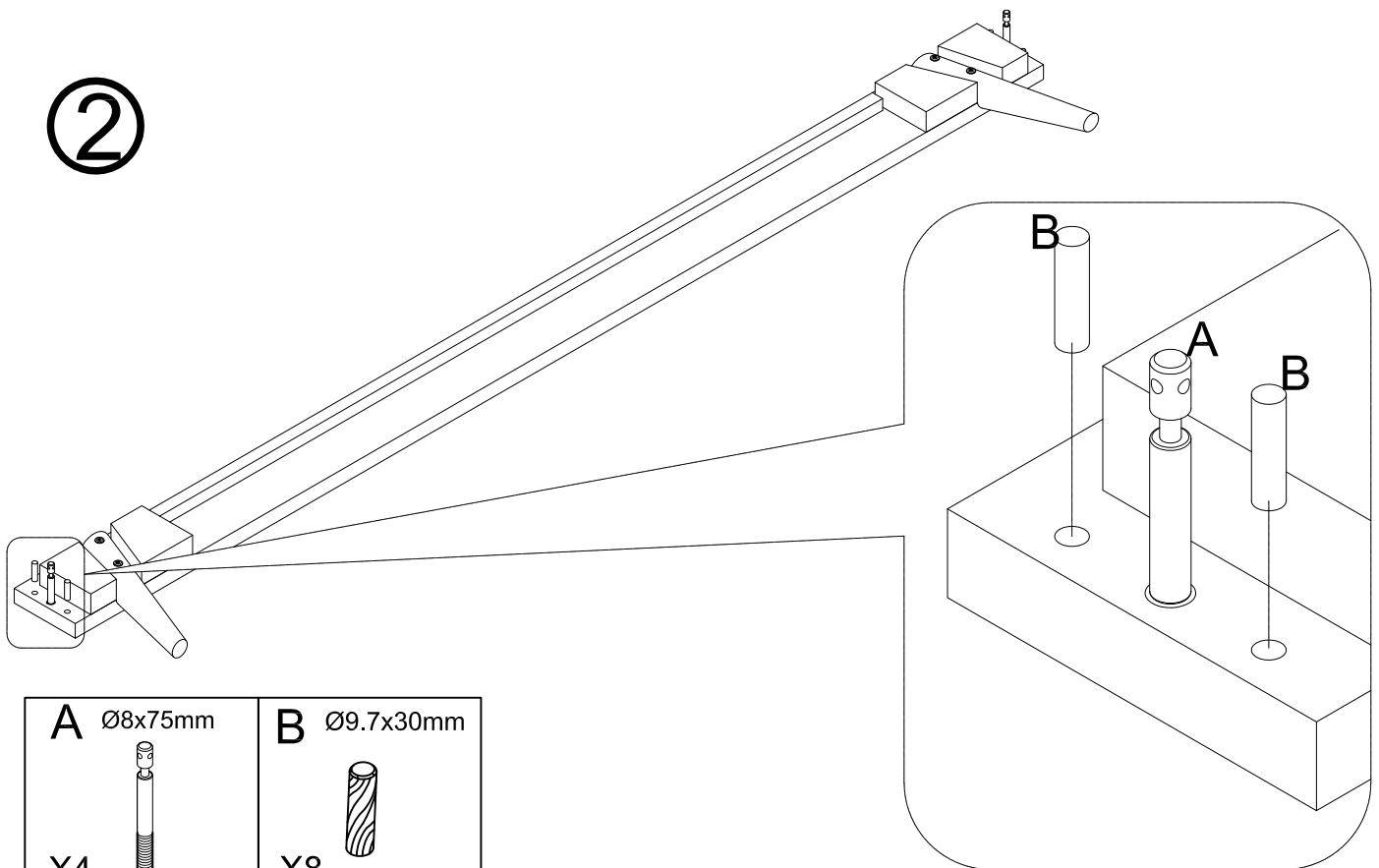
A Ø8x75mm  X4	B Ø9.7x30mm  X8	C  X4	D key 3  X1
E Ø6 *55mm  X8	F key 4  X1	G M4 *35mm  X 34	H 75*20*20  X2



①



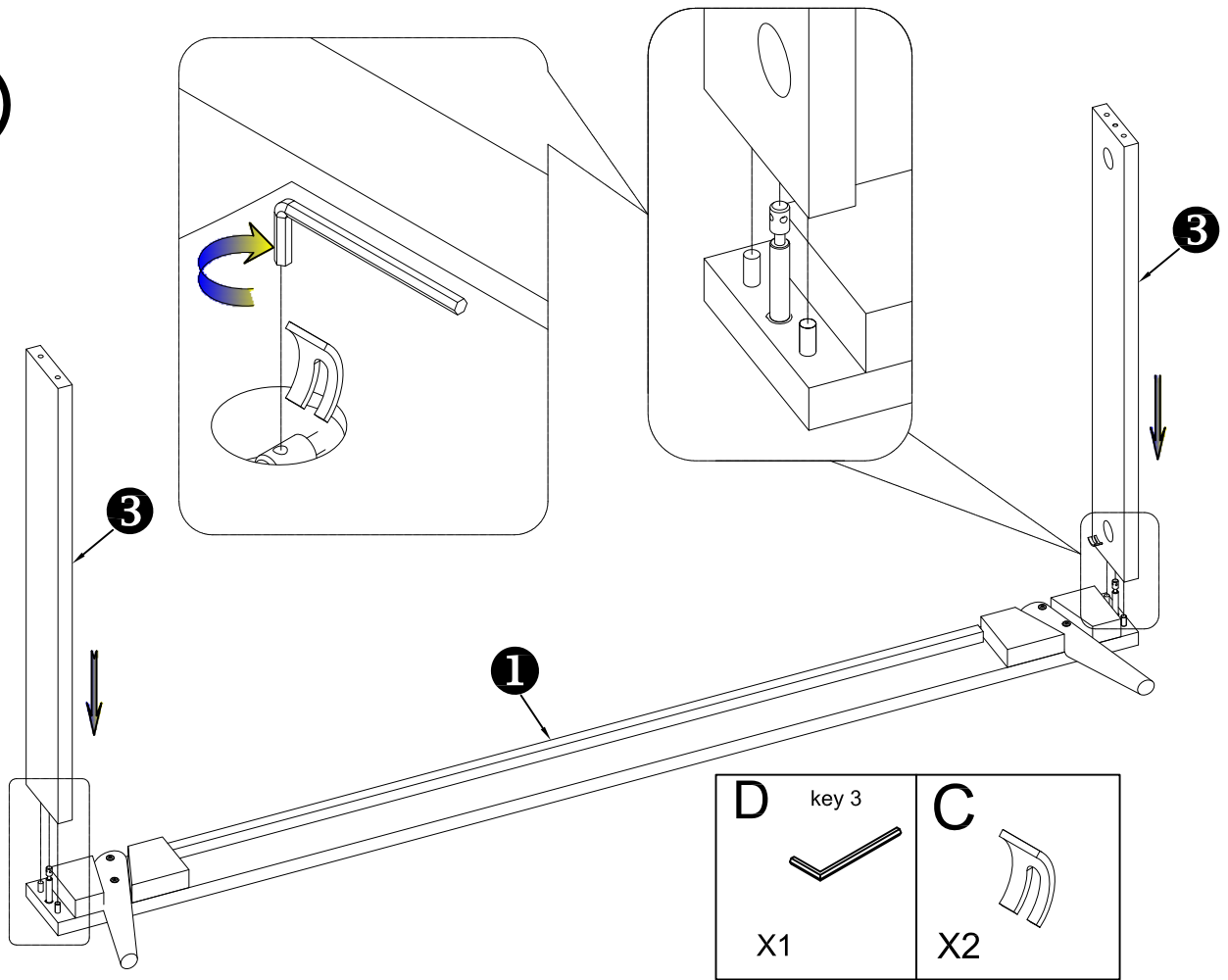
F key 4  X1	E Ø6 *55mm  X8
--	---

②

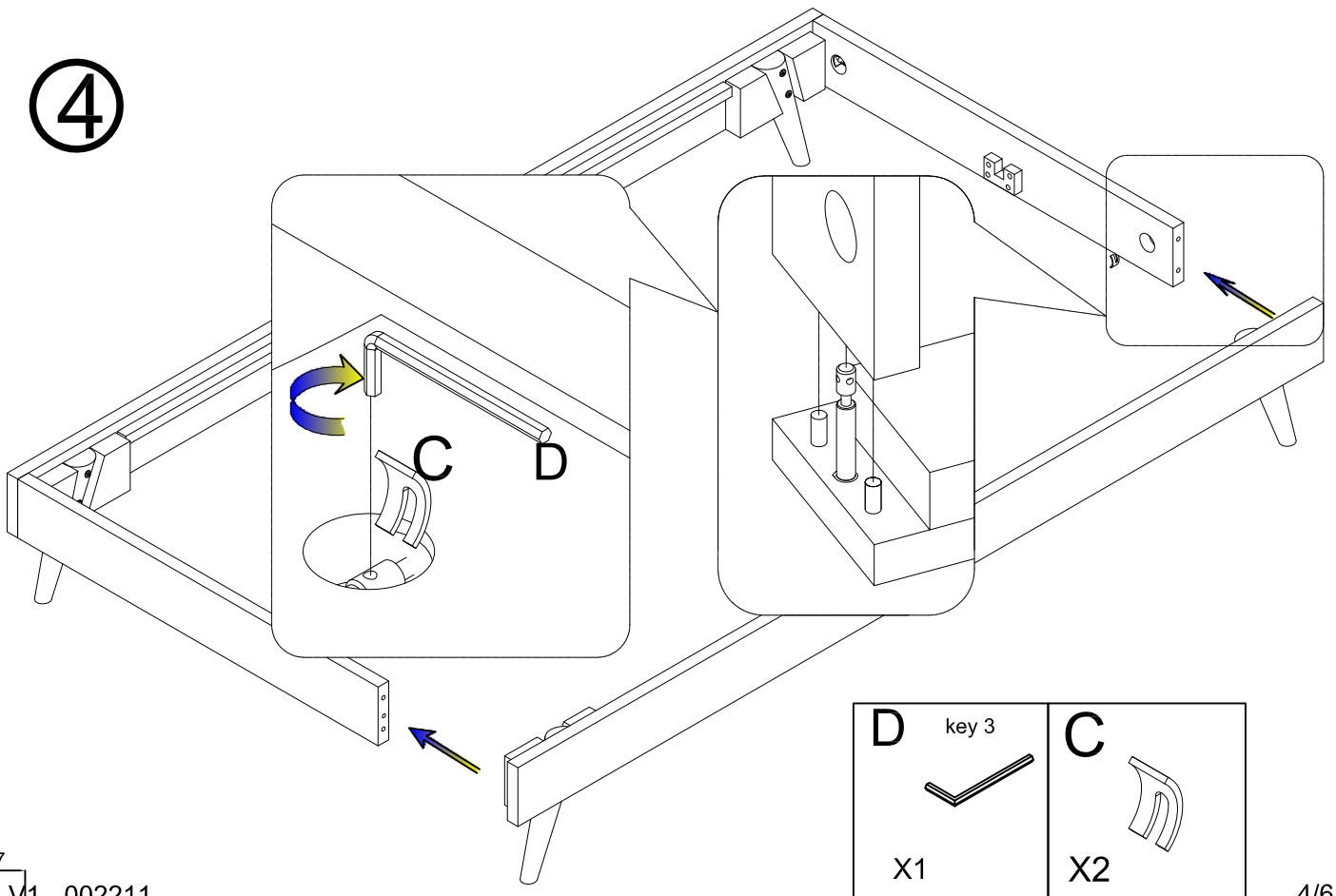


A Ø8x75mm  X4	B Ø9.7x30mm  X8
---	---

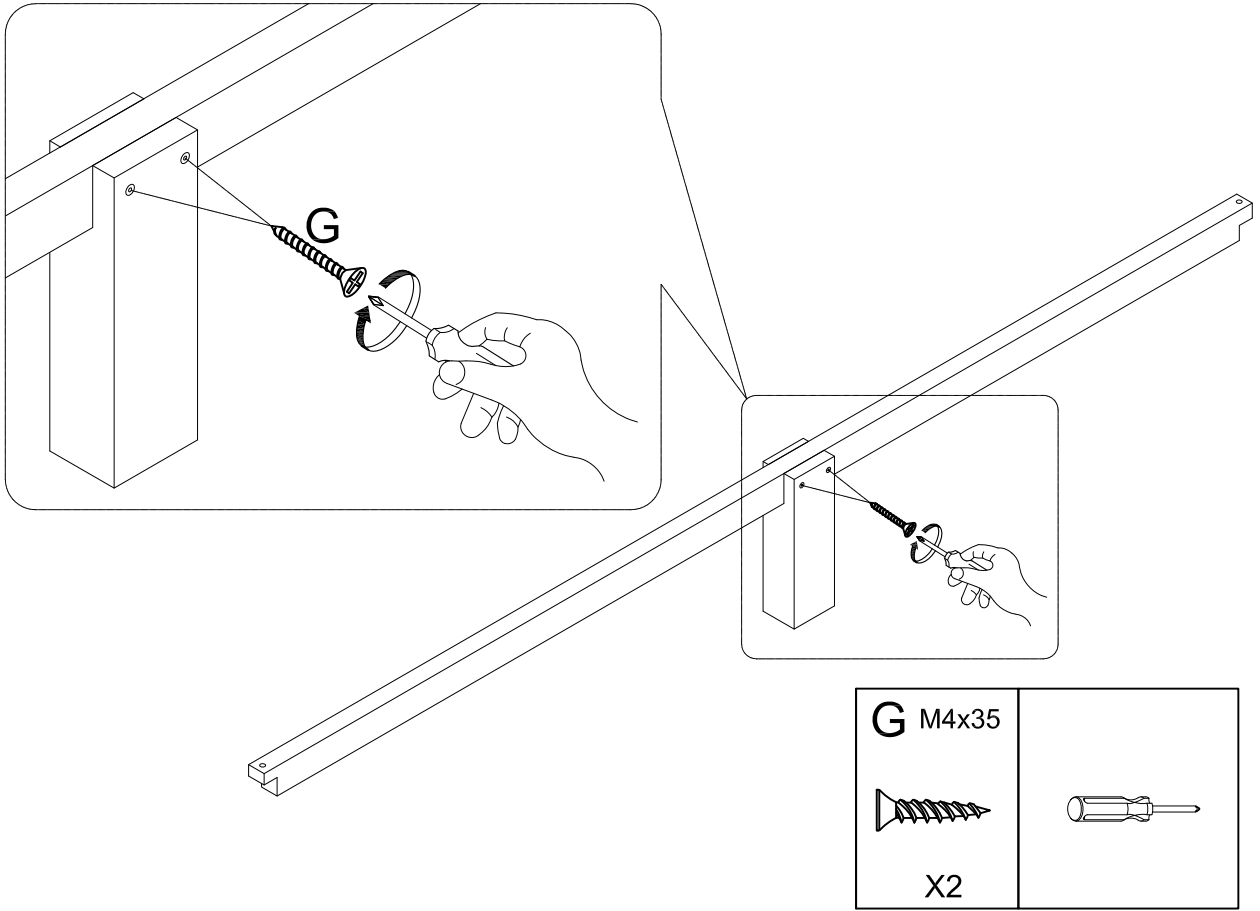
③



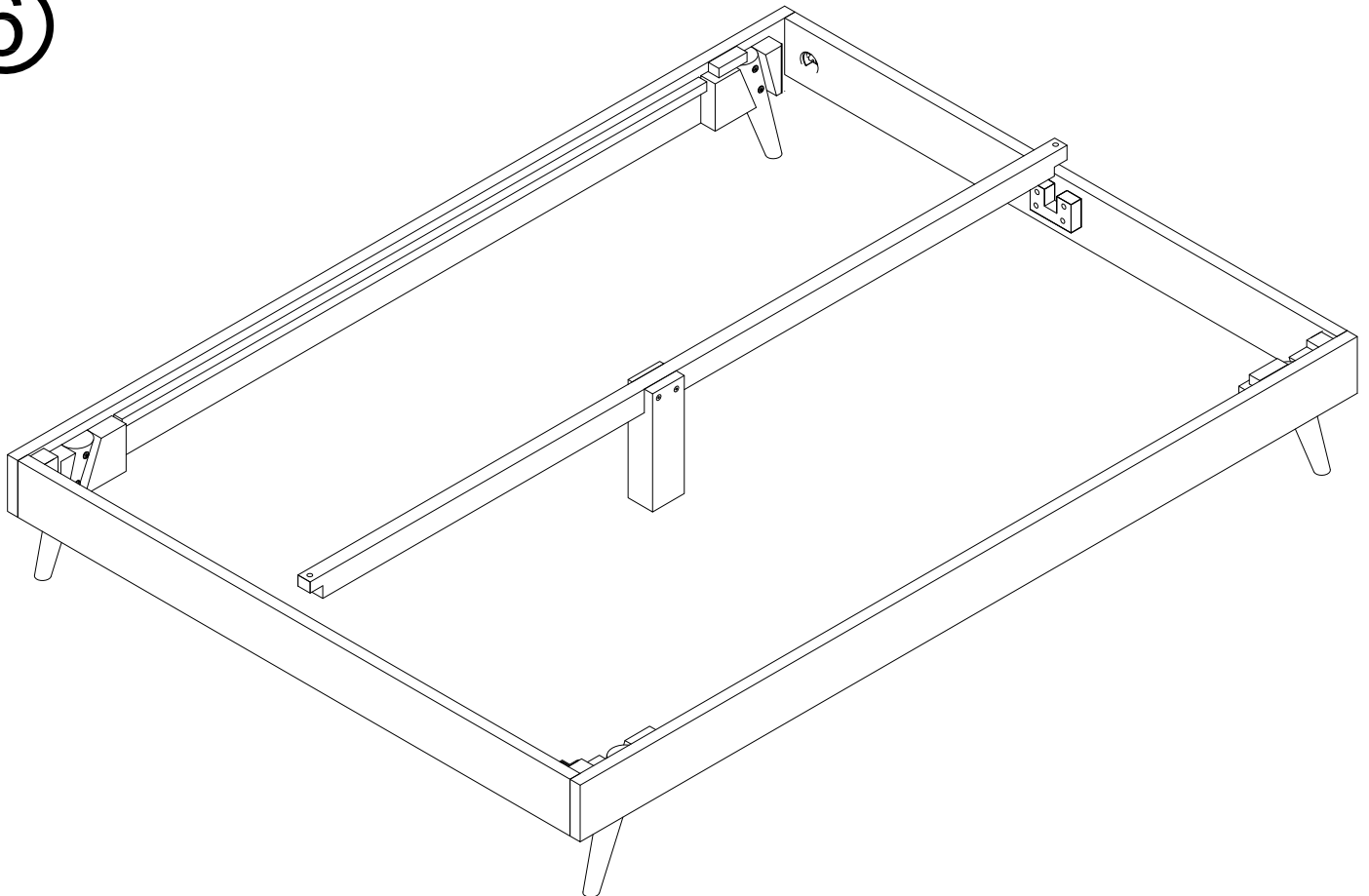
④



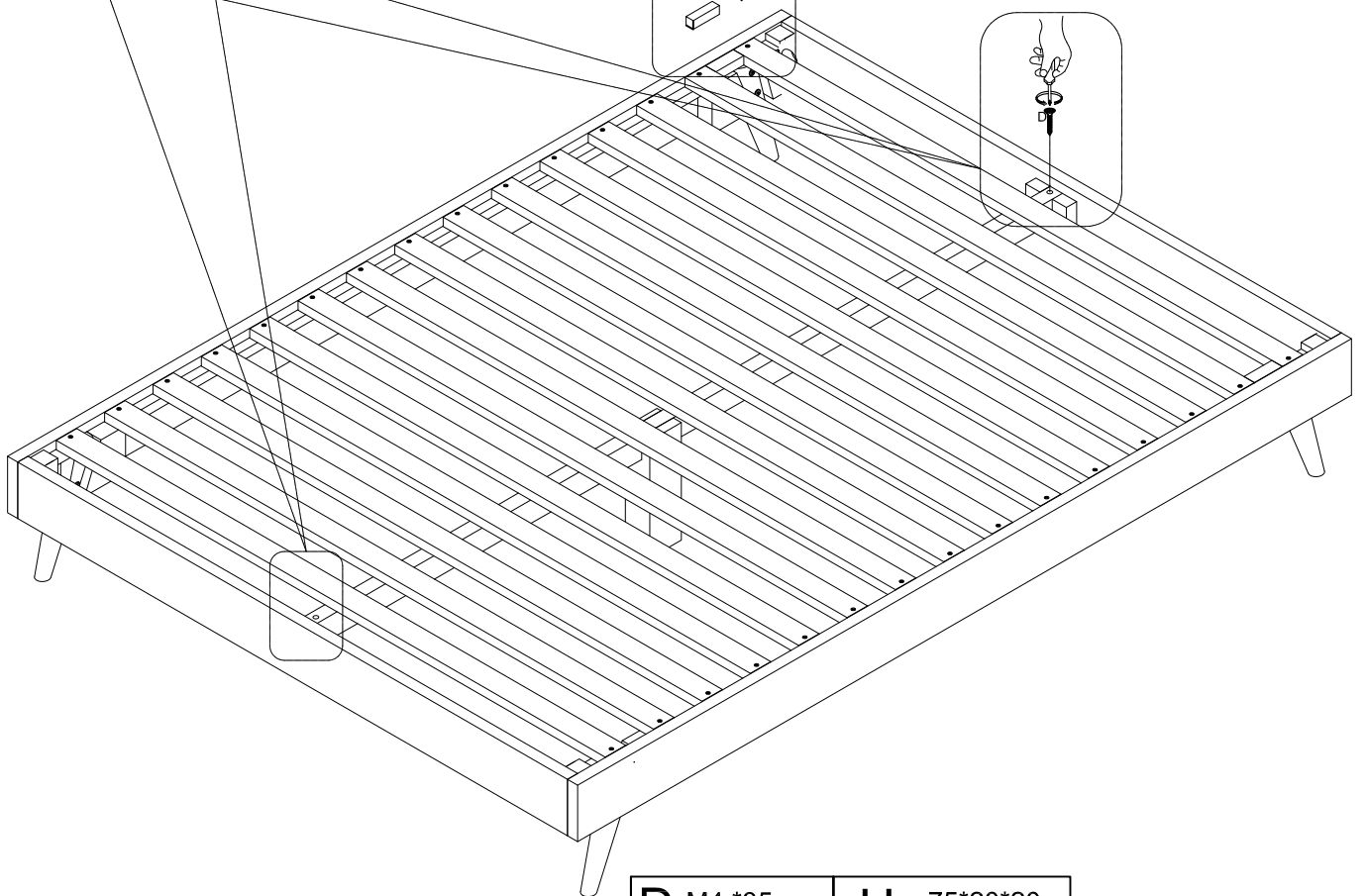
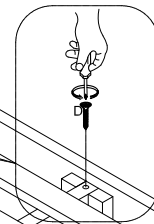
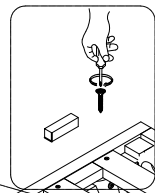
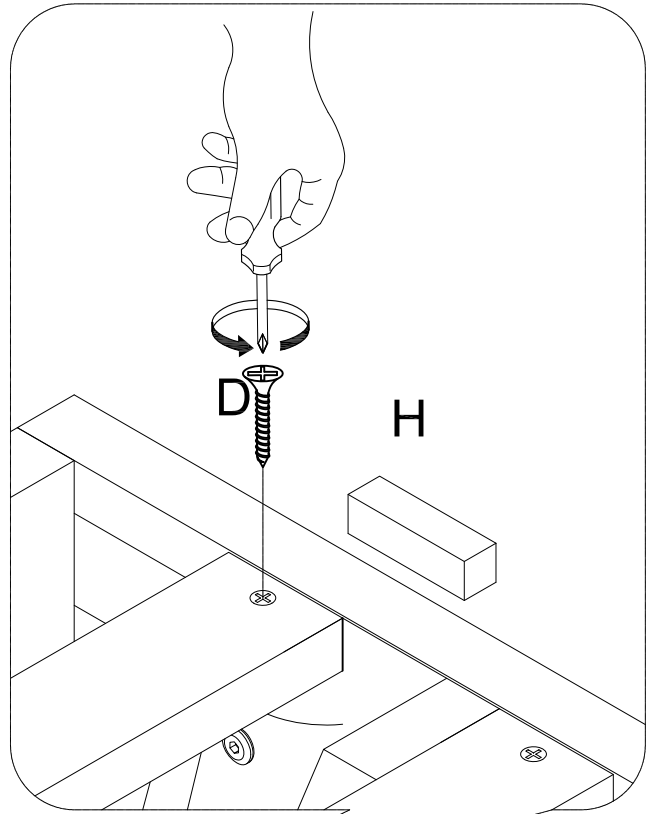
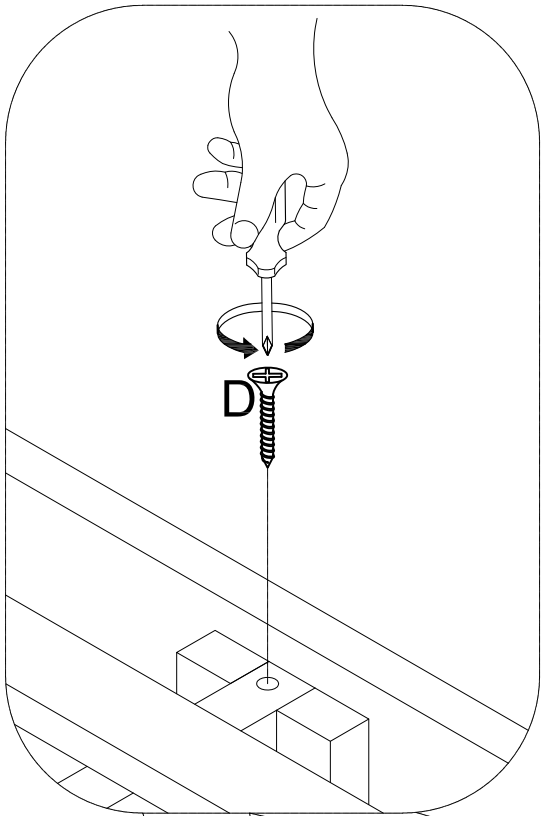
5


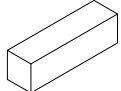


6



7



D M4 *35mm  X32	H 75*20*20  X2
---	--