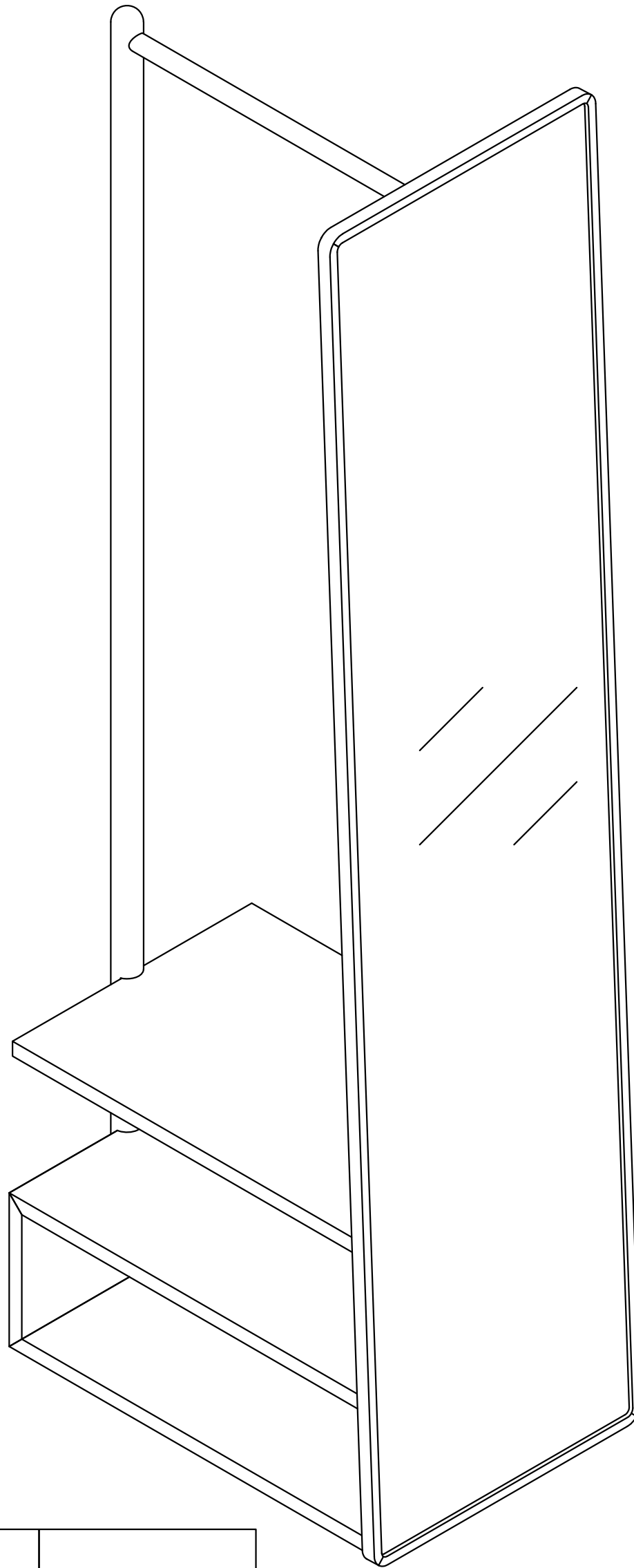

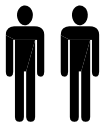
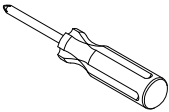
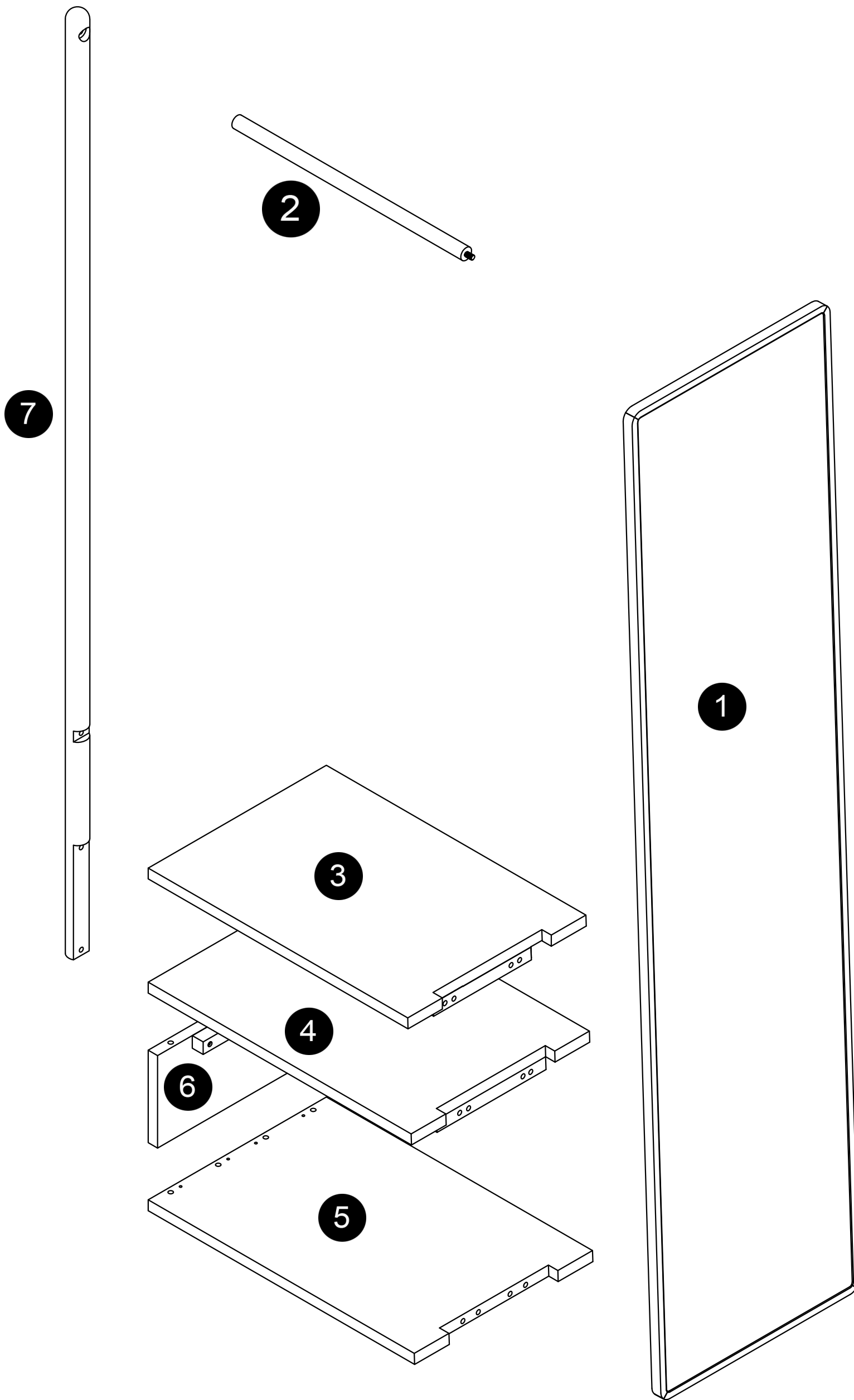

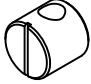
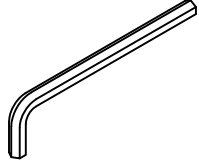

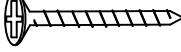

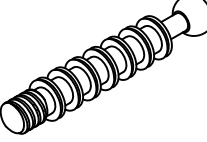



175458

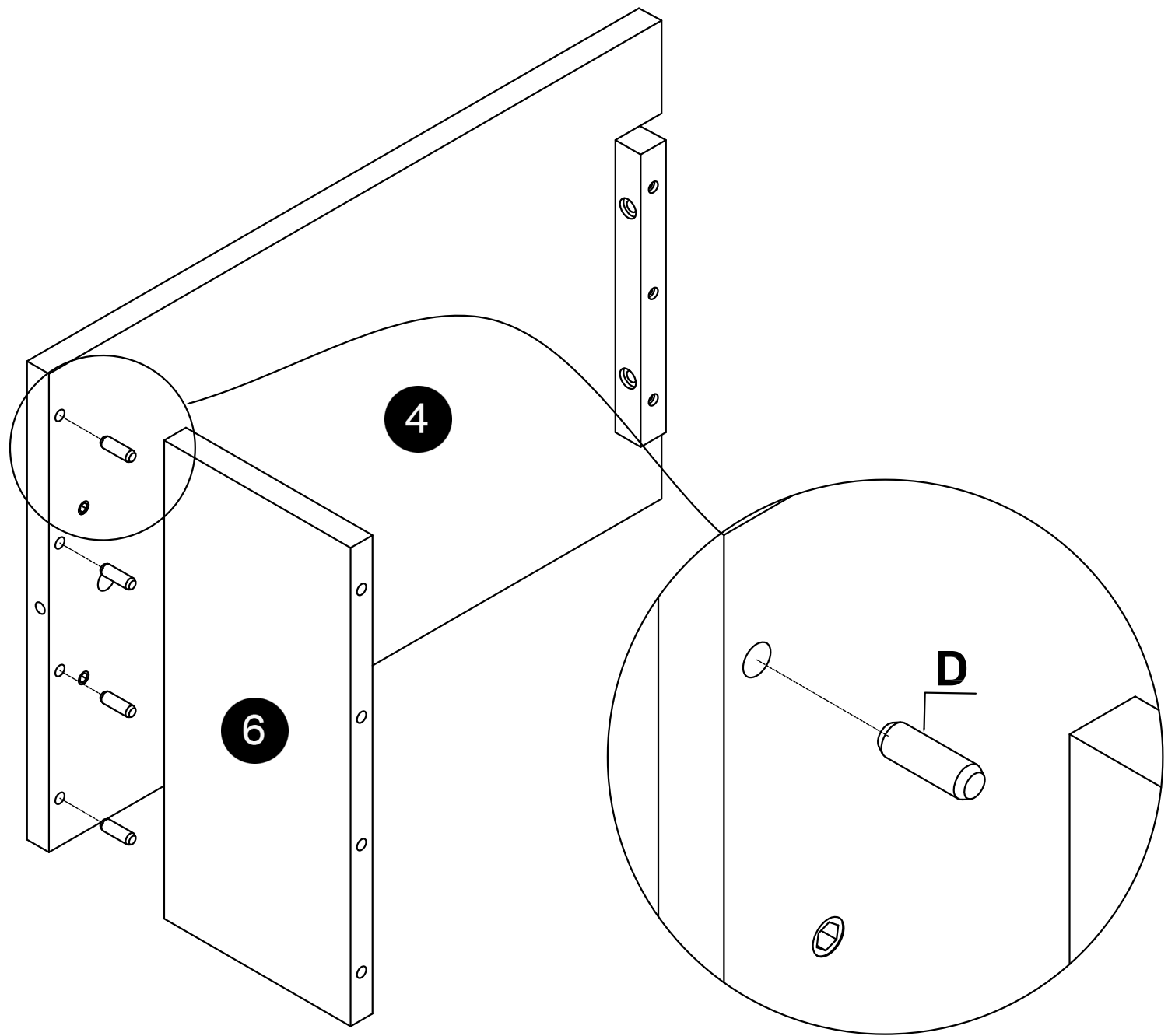


 20 MIN		
--	---	---



A Ø6*90mm  X3	B M6*13mm  X3	C M 4  X1	D Ø 8 x 20  X14	E M3.5 * 35mm  X4	F Ø6 *30mm  X7	G  X2	H  X2
---	---	---	--	---	--	---	---

1

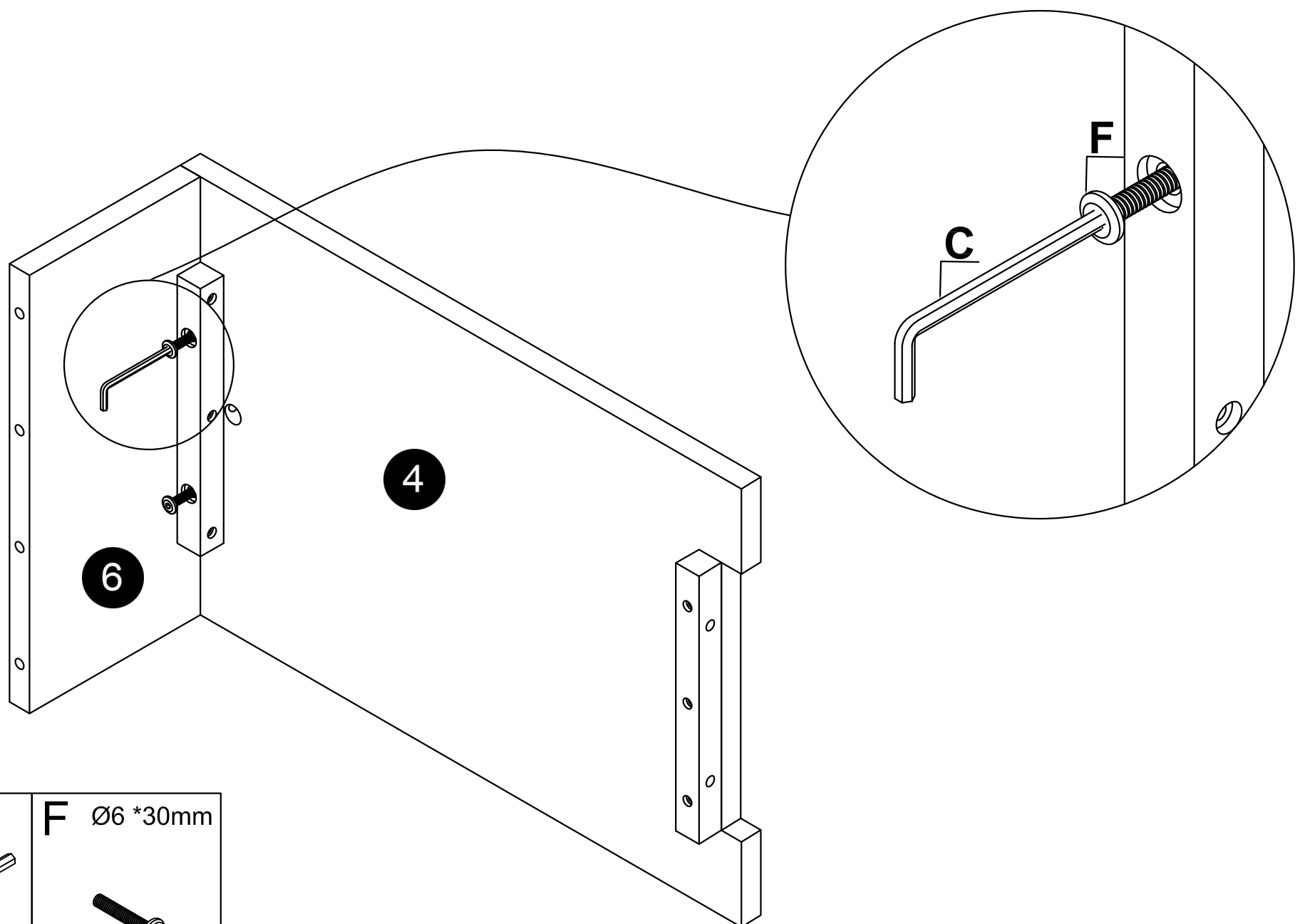


D Ø 8 x 20

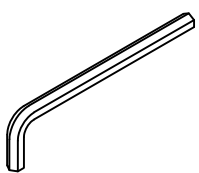


X4

2



C M 4



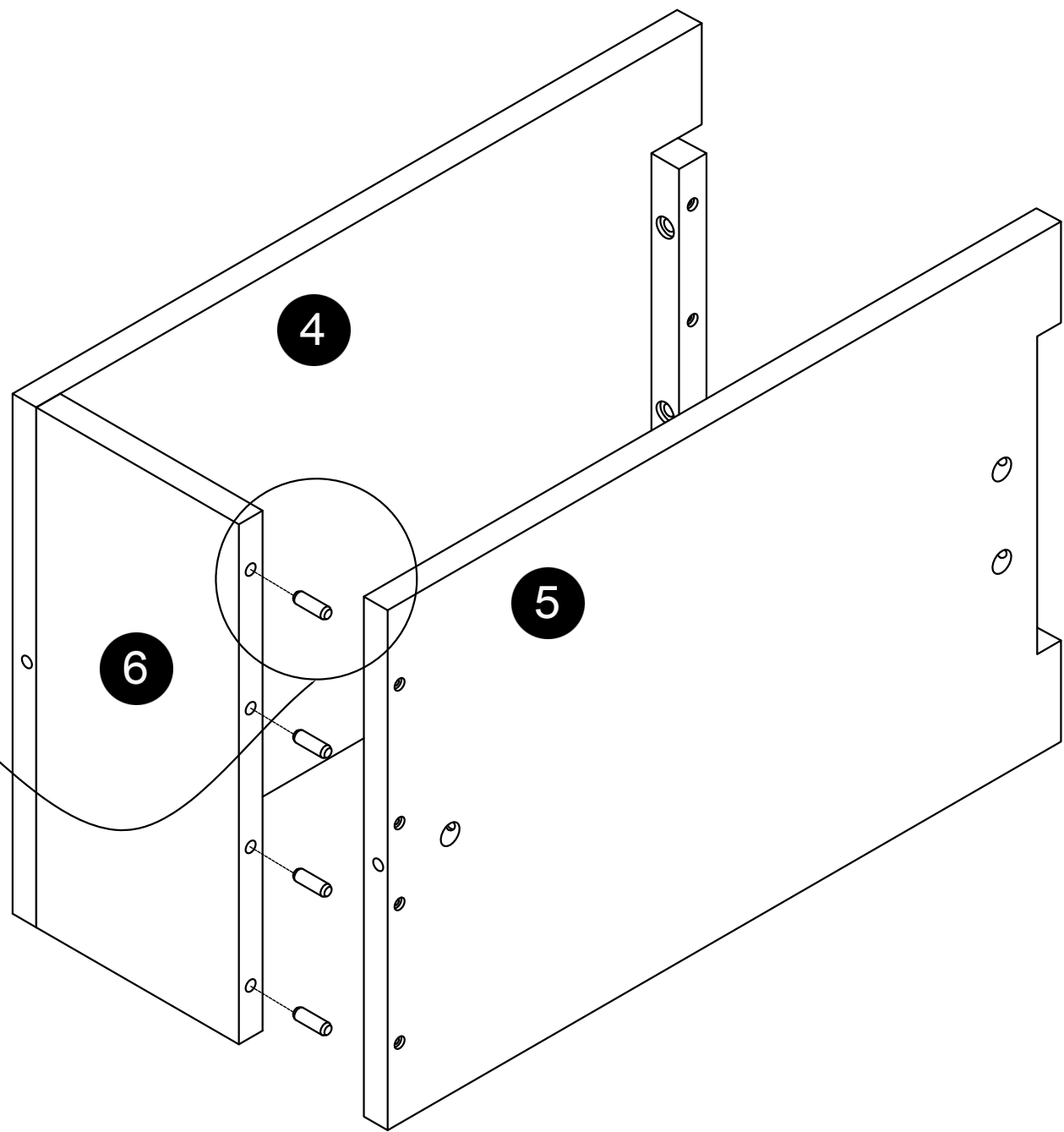
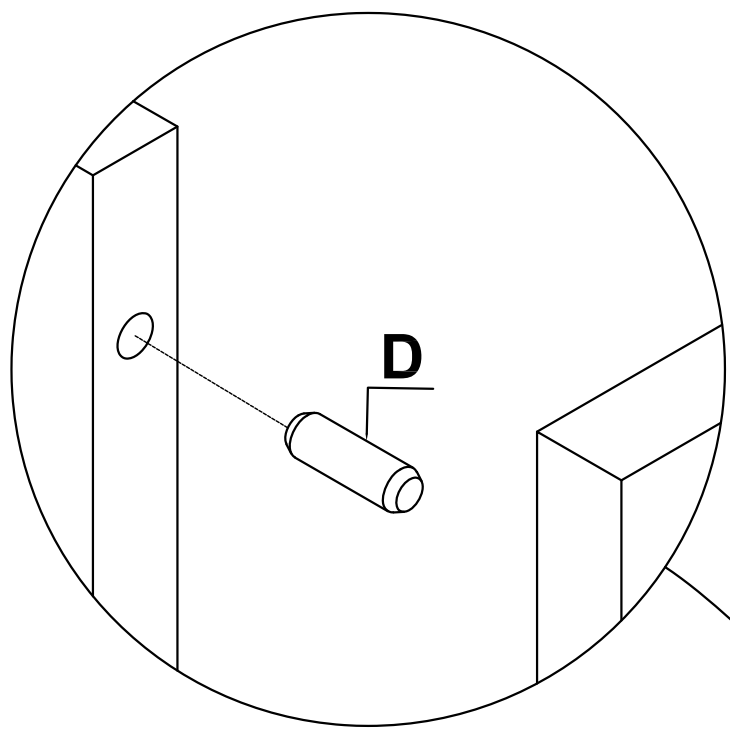
X1

F Ø6 *30mm



X2

3

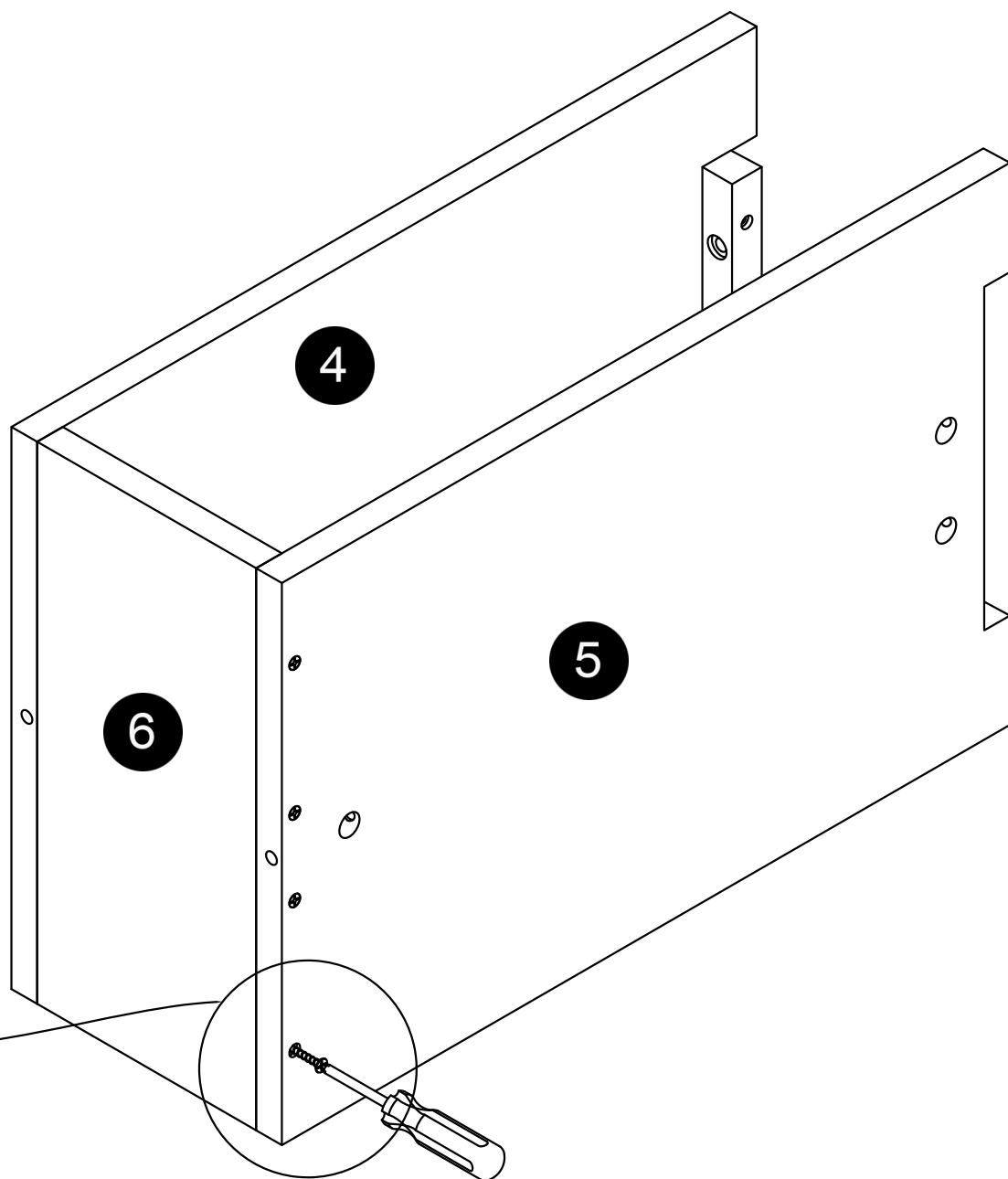
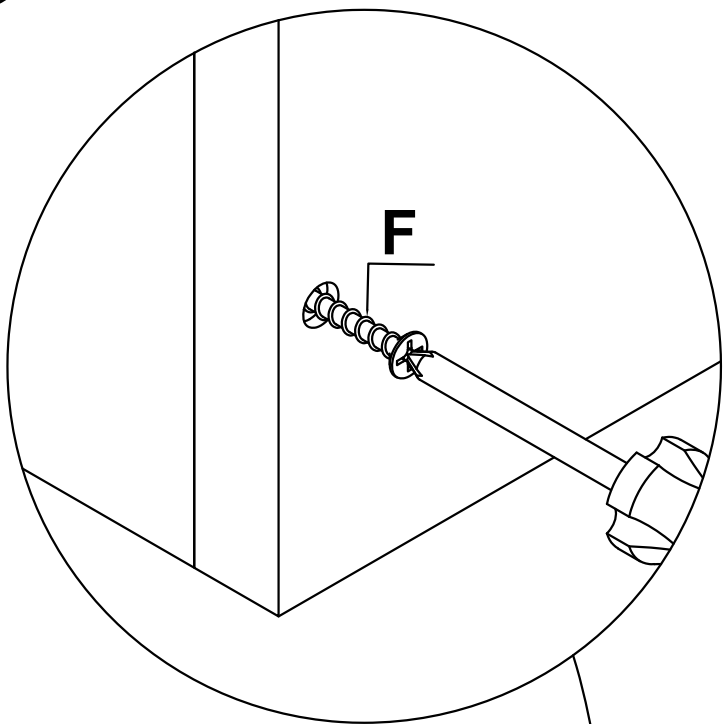


D Ø 8 x 20



X4

4

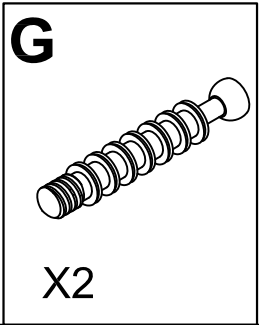
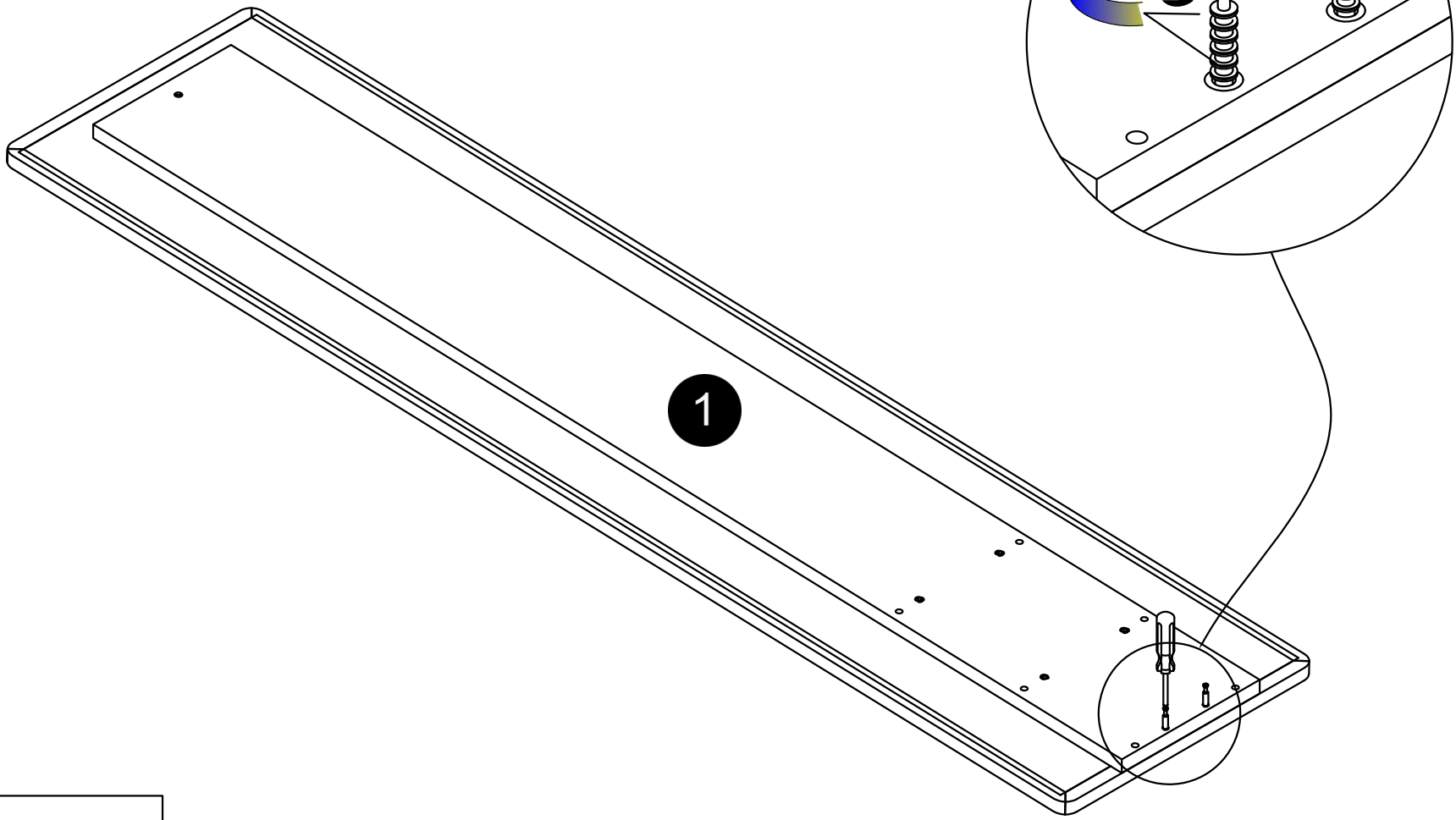


E M3.5 * 35mm

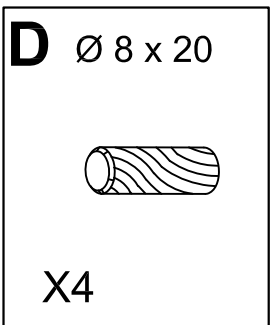
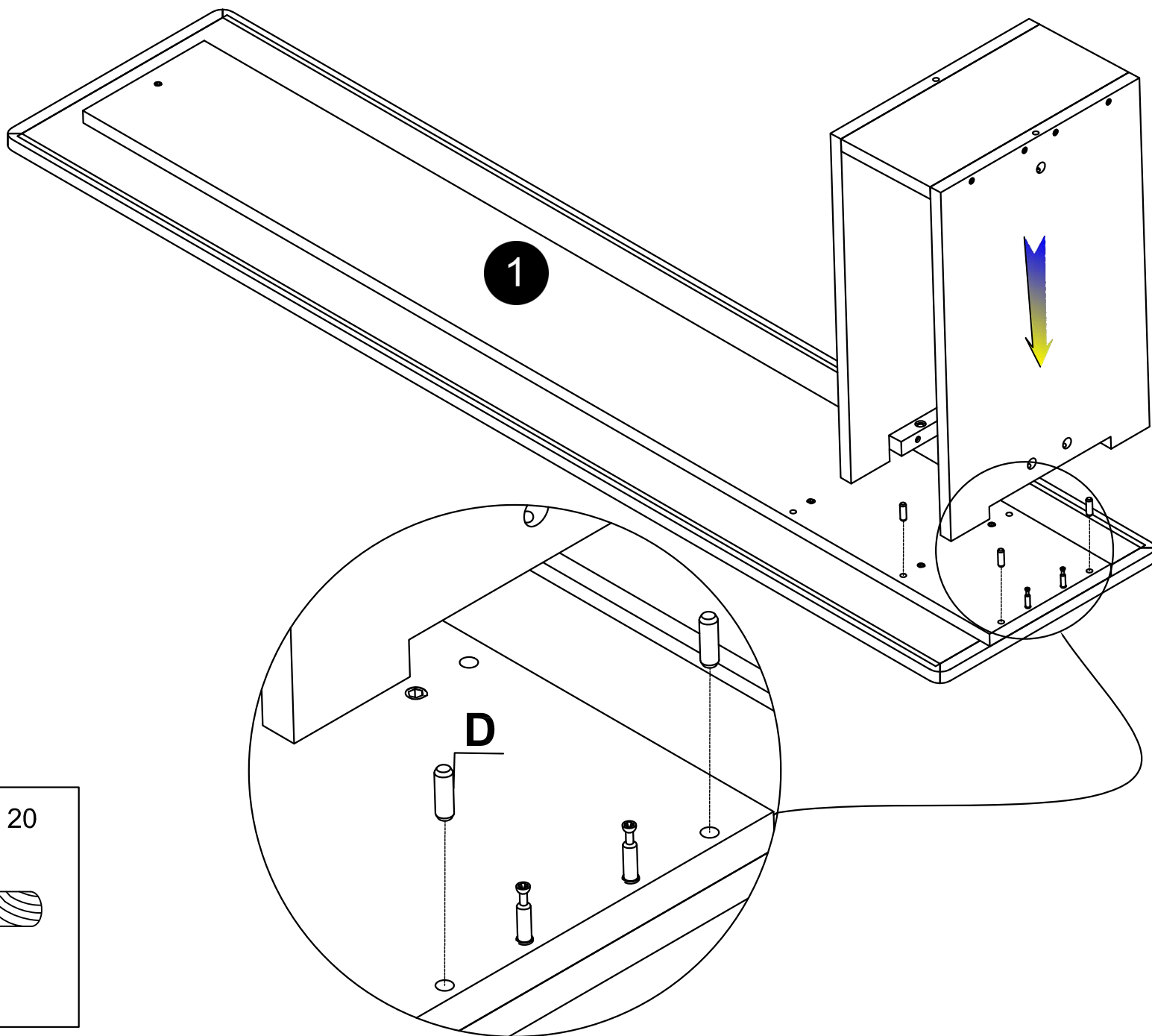


X4

5

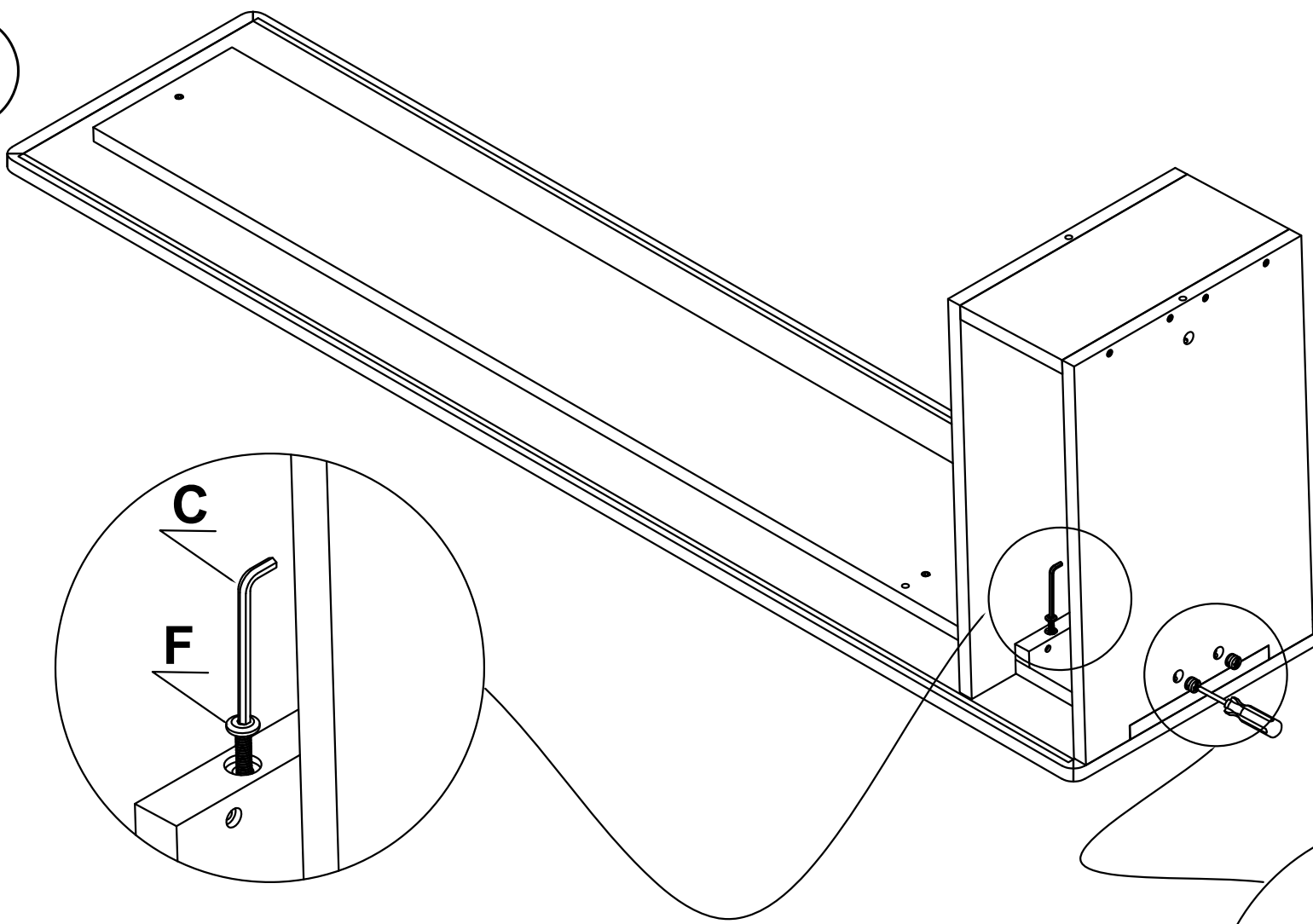


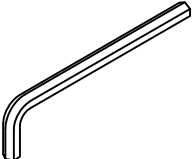


6

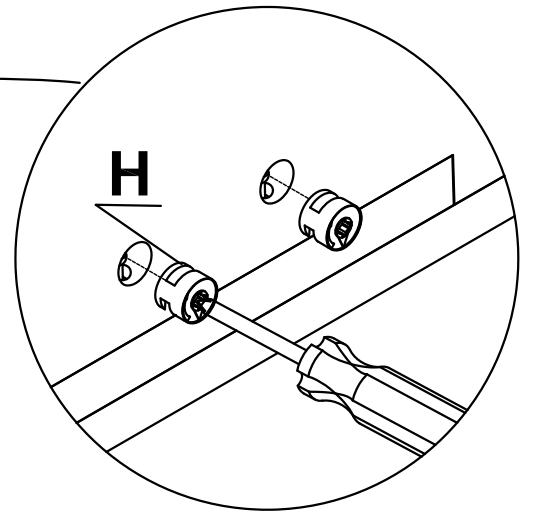


V1 - 002211

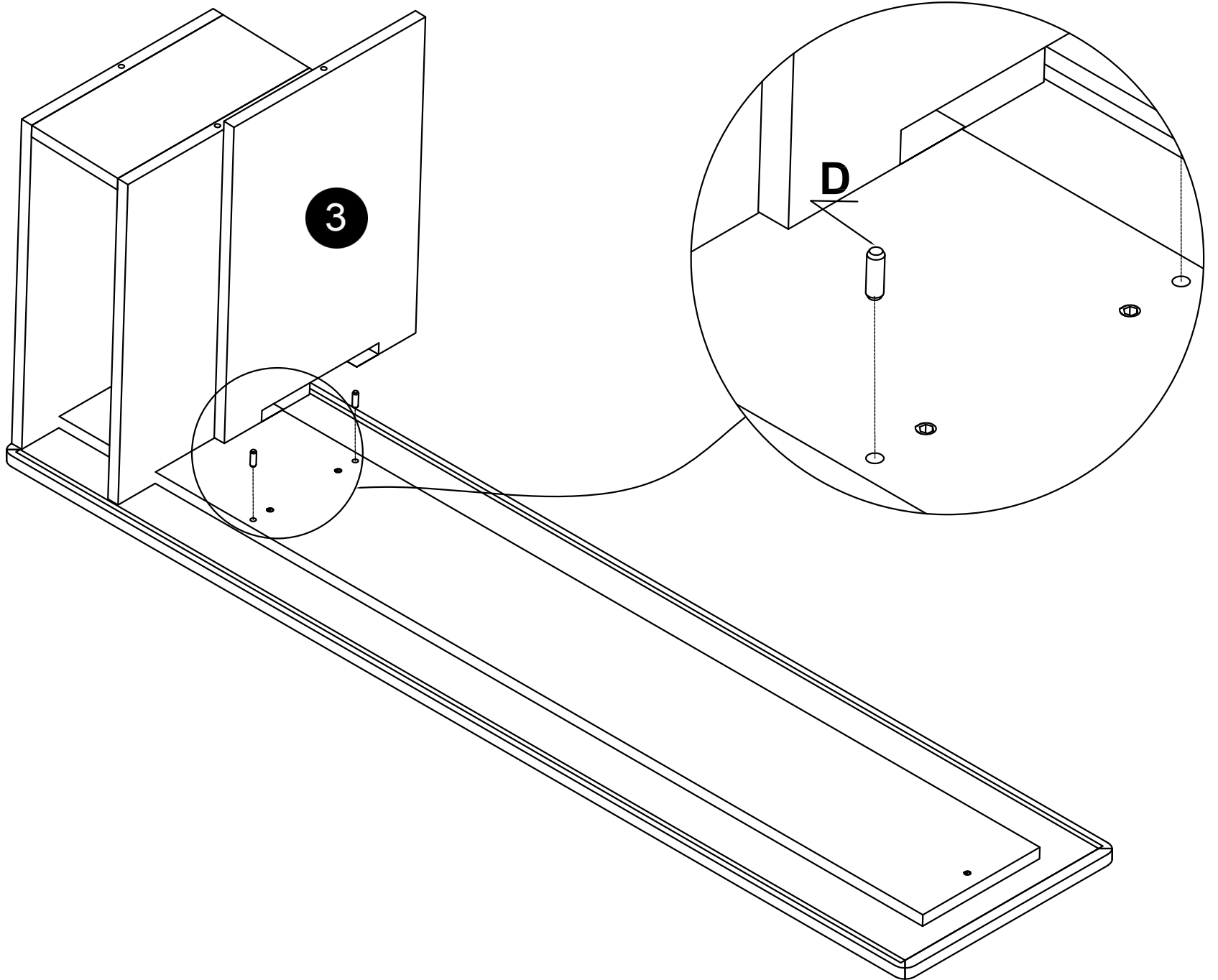
7




C M 4	F Ø6 *30mm	H
		
X1	X2	X2

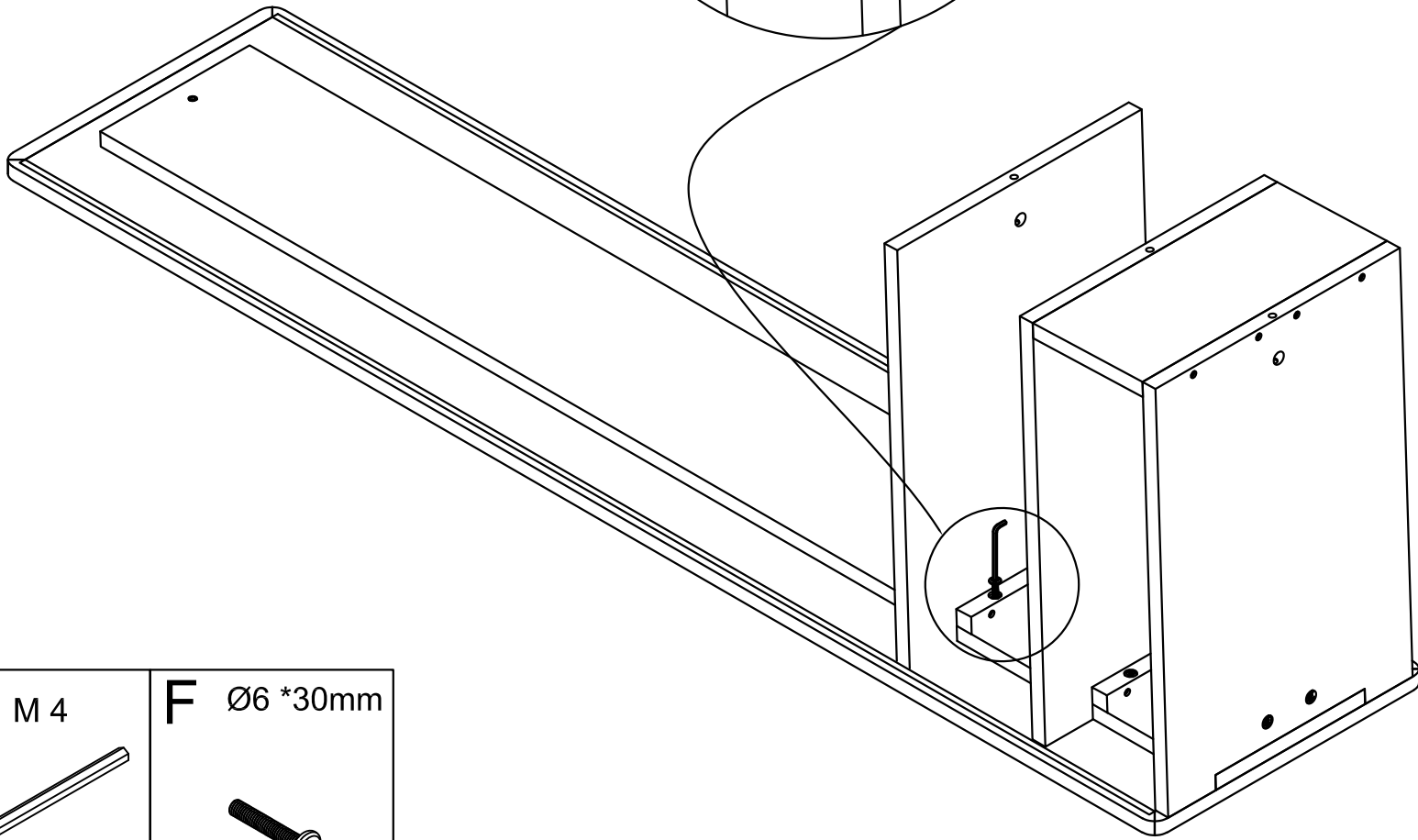
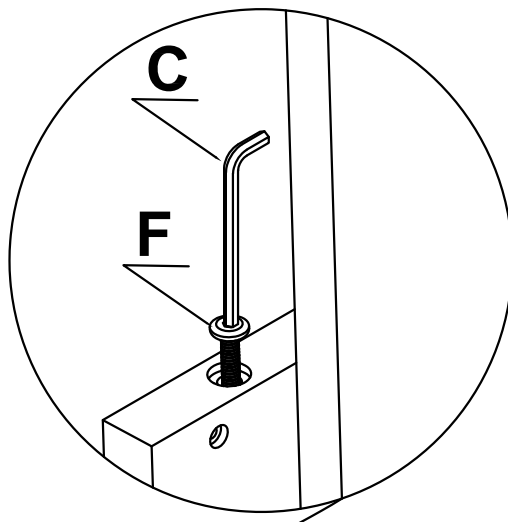


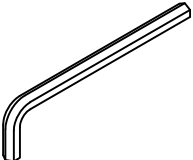

8



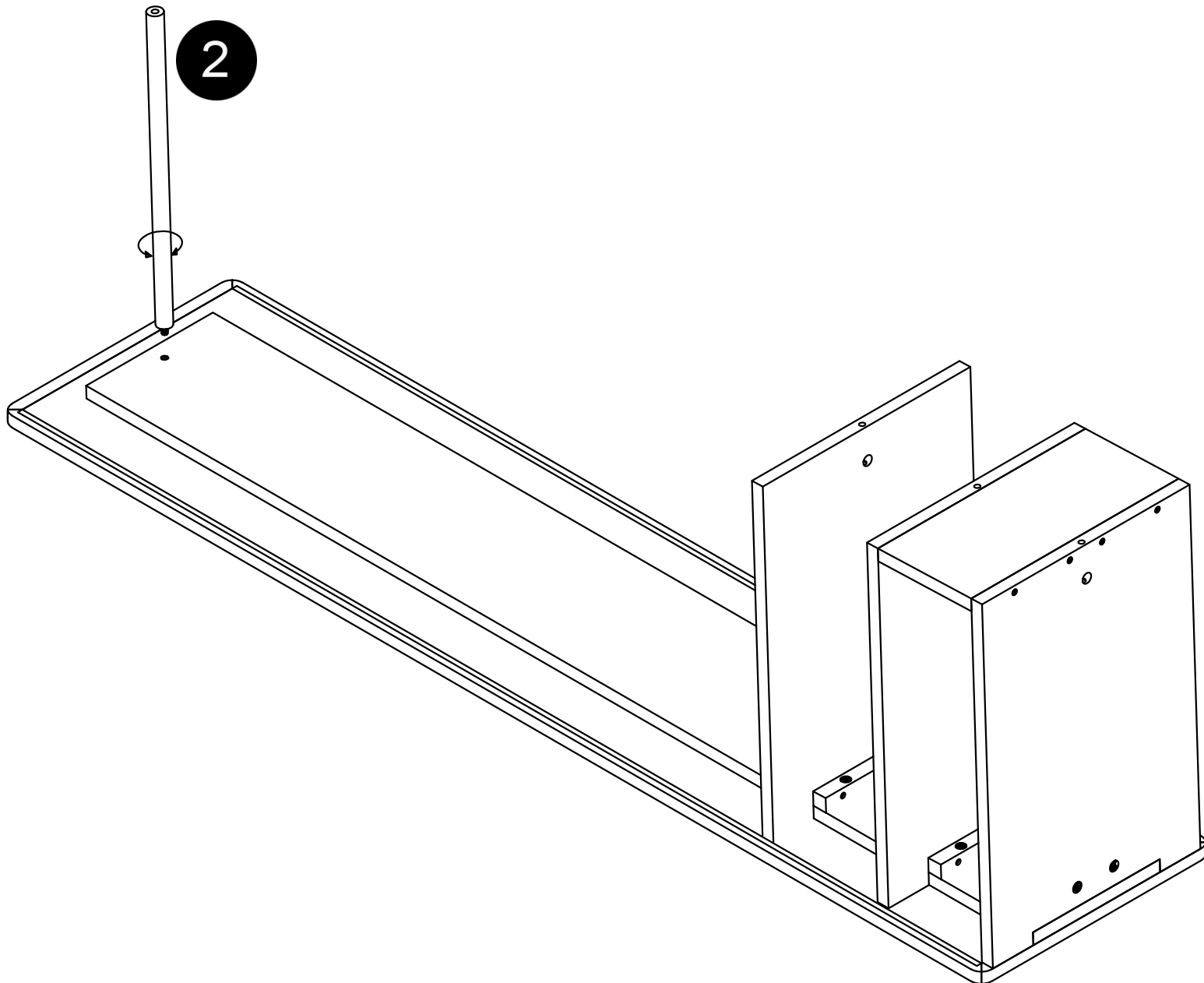
D Ø 8 x 20

X2

9

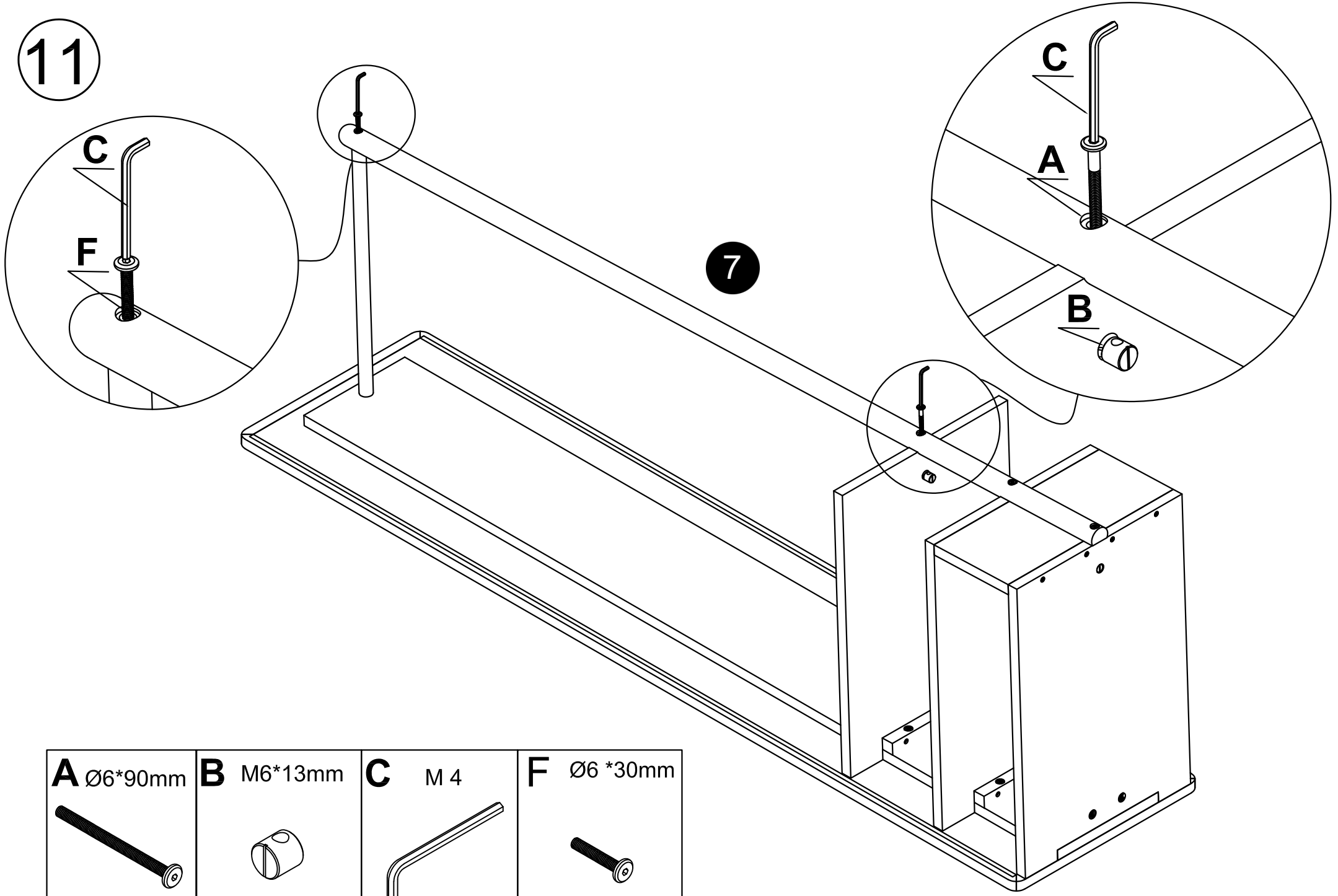


C M 4	F Ø6 *30mm
	
X1	X2


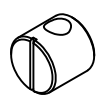
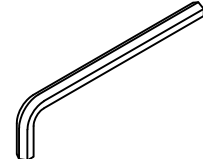

10



11



7

A Ø6*90mm	B M6*13mm	C M 4	F Ø6 *30mm
			
X3	X3	X1	X1

12

