


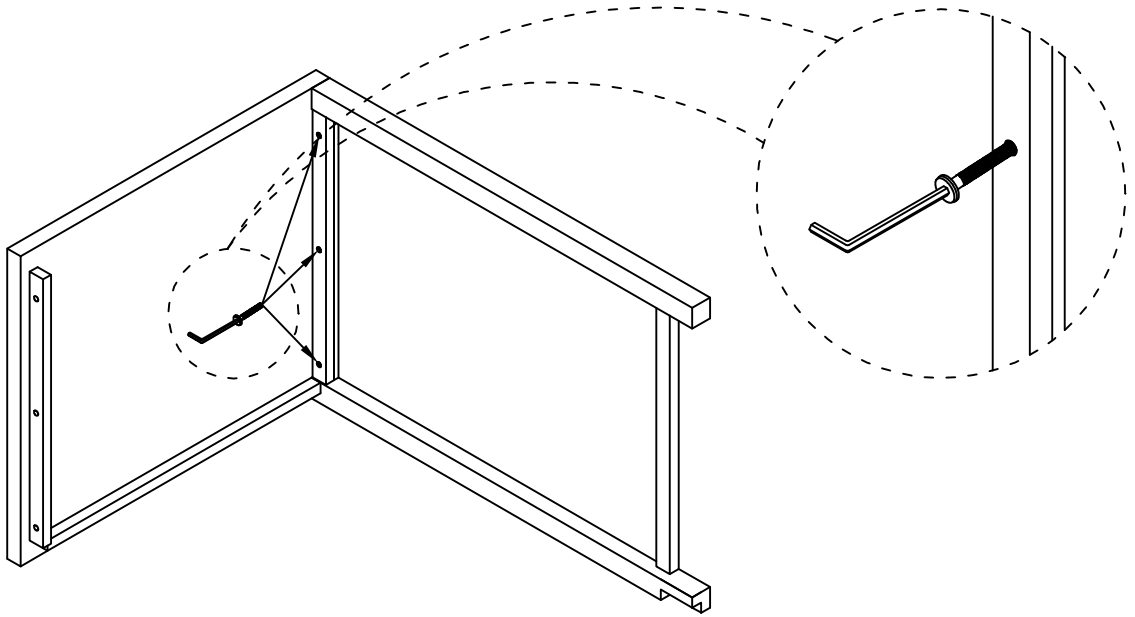




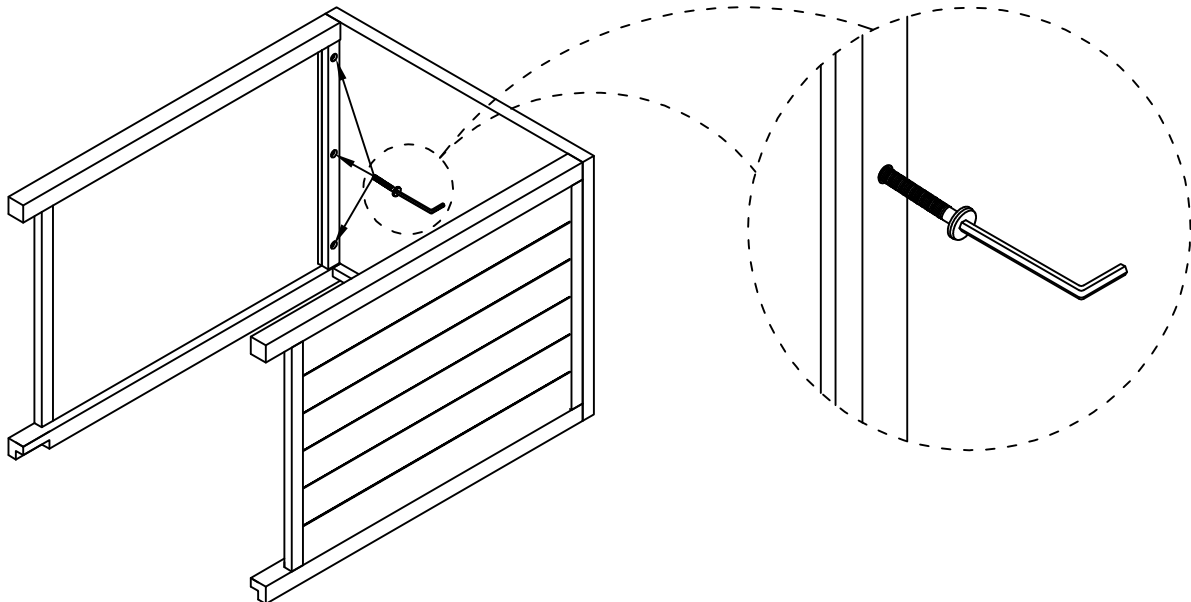
<p>A <math>\text{\O}6 \times 35 \text{ mm}</math></p>  <p>X10</p>	<p>B <math>\text{\O}10 \times 30</math></p>  <p>X4</p>	<p>C M4</p>  <p>X1</p>
--	---	---



1



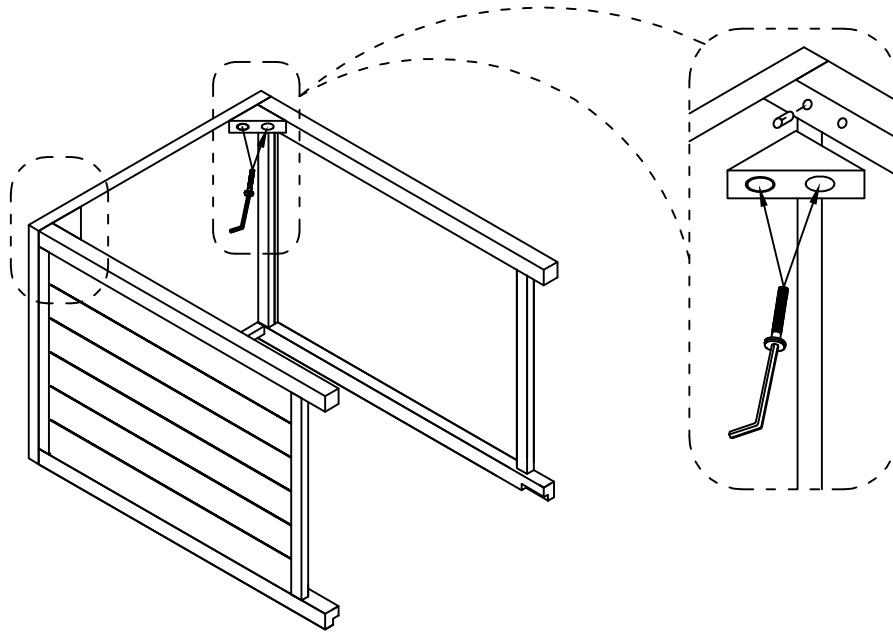
A Ø6*35 mm	D M4
	
X3	X1




2



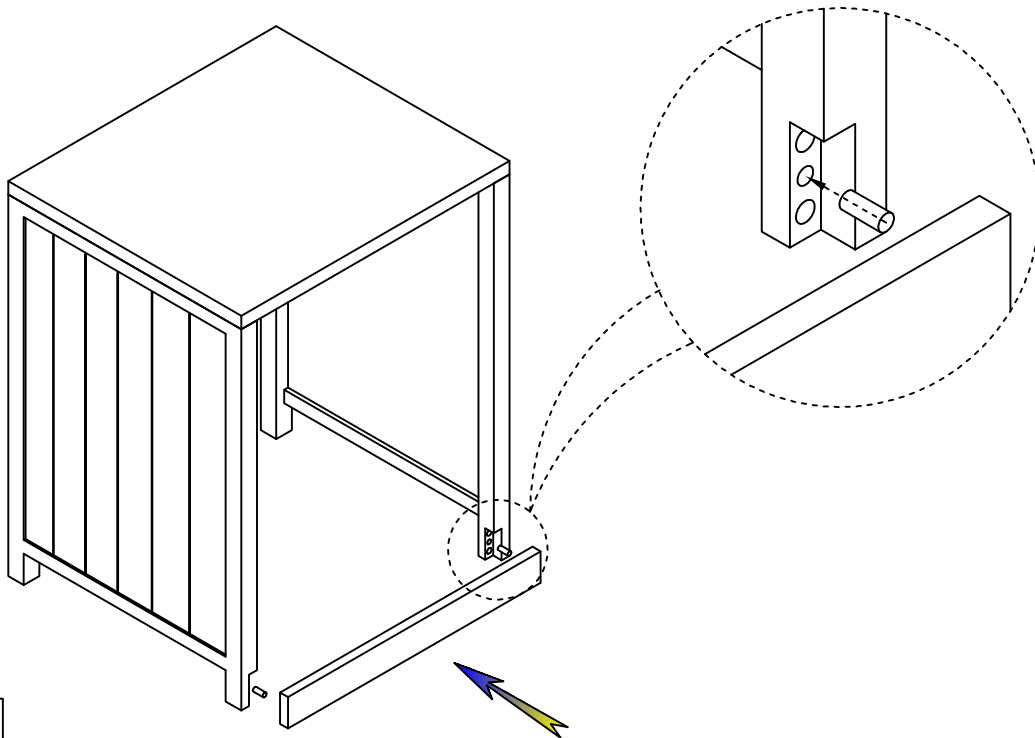
A Ø6*35 mm	D M4
	
X3	X1


3



A $\varnothing 6 \times 35$ mm	B $\varnothing 10 \times 30$	C M4
		
X4	X2	X1

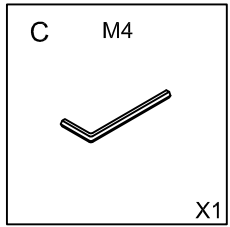
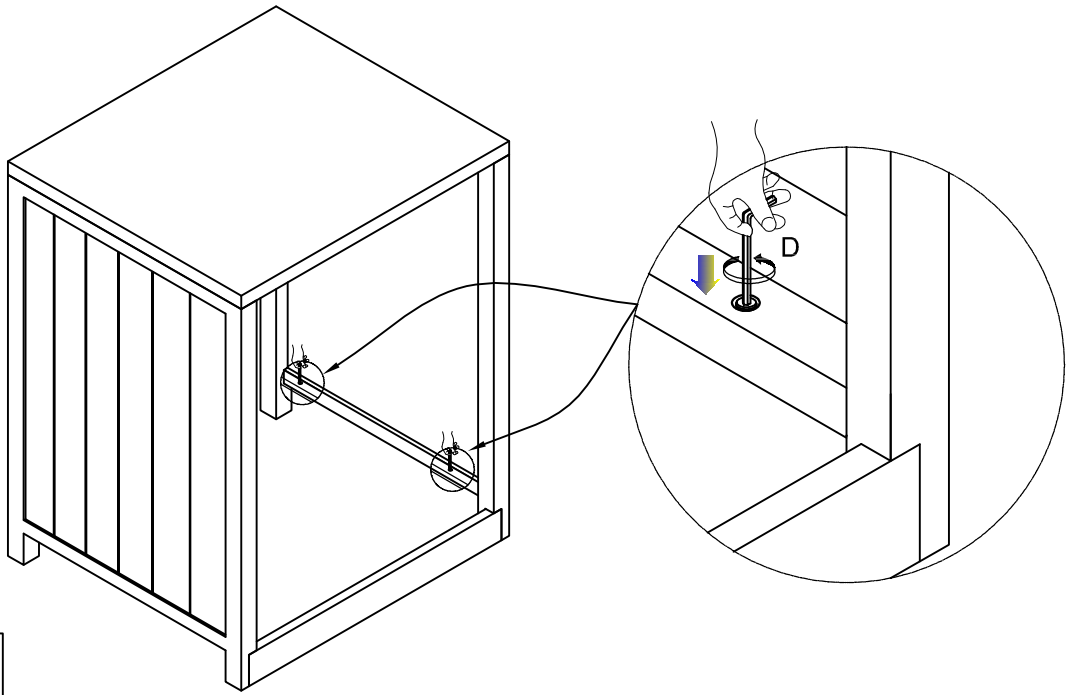
4



B $\varnothing 10 \times 30$

X2

V1 - 002211

5



6

