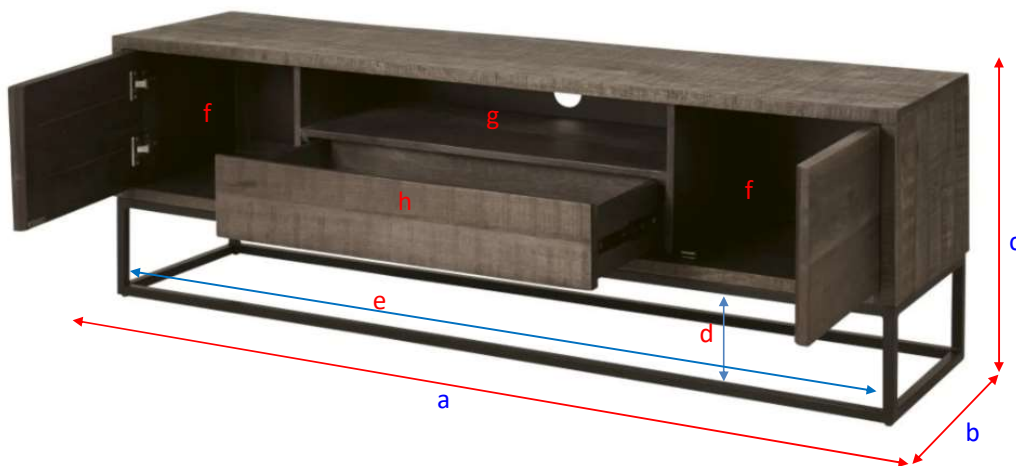


LUSAKA

198860



a = 160 cm

b = 40 cm

c = 53 cm

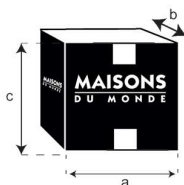
d = 15 cm

e = 155,5 cm

f = 33,5x31,5x26 cm

g = 75,5x35x13,5 cm

h = 70x24,5x10,5 cm



X 1

a = 168 cm

b = 49 cm

c = 63 cm

= 50 Kg