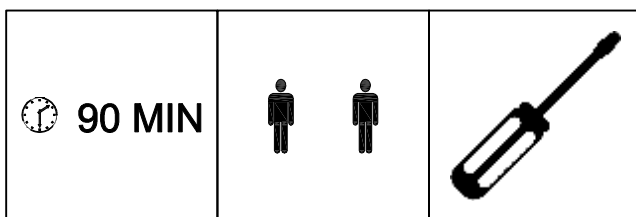
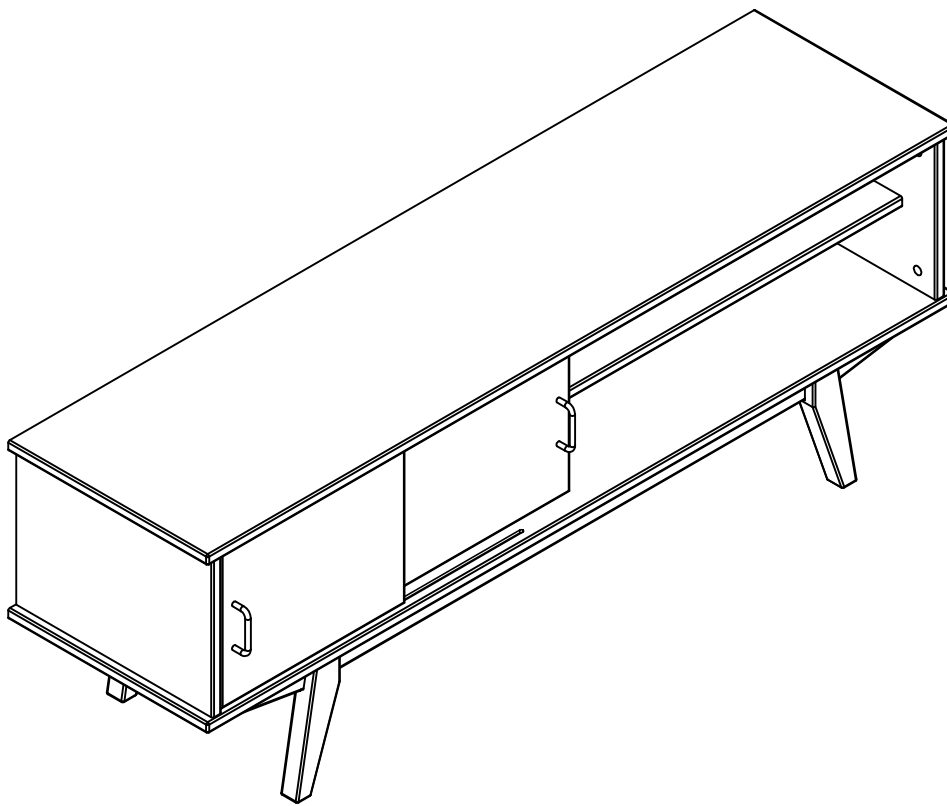
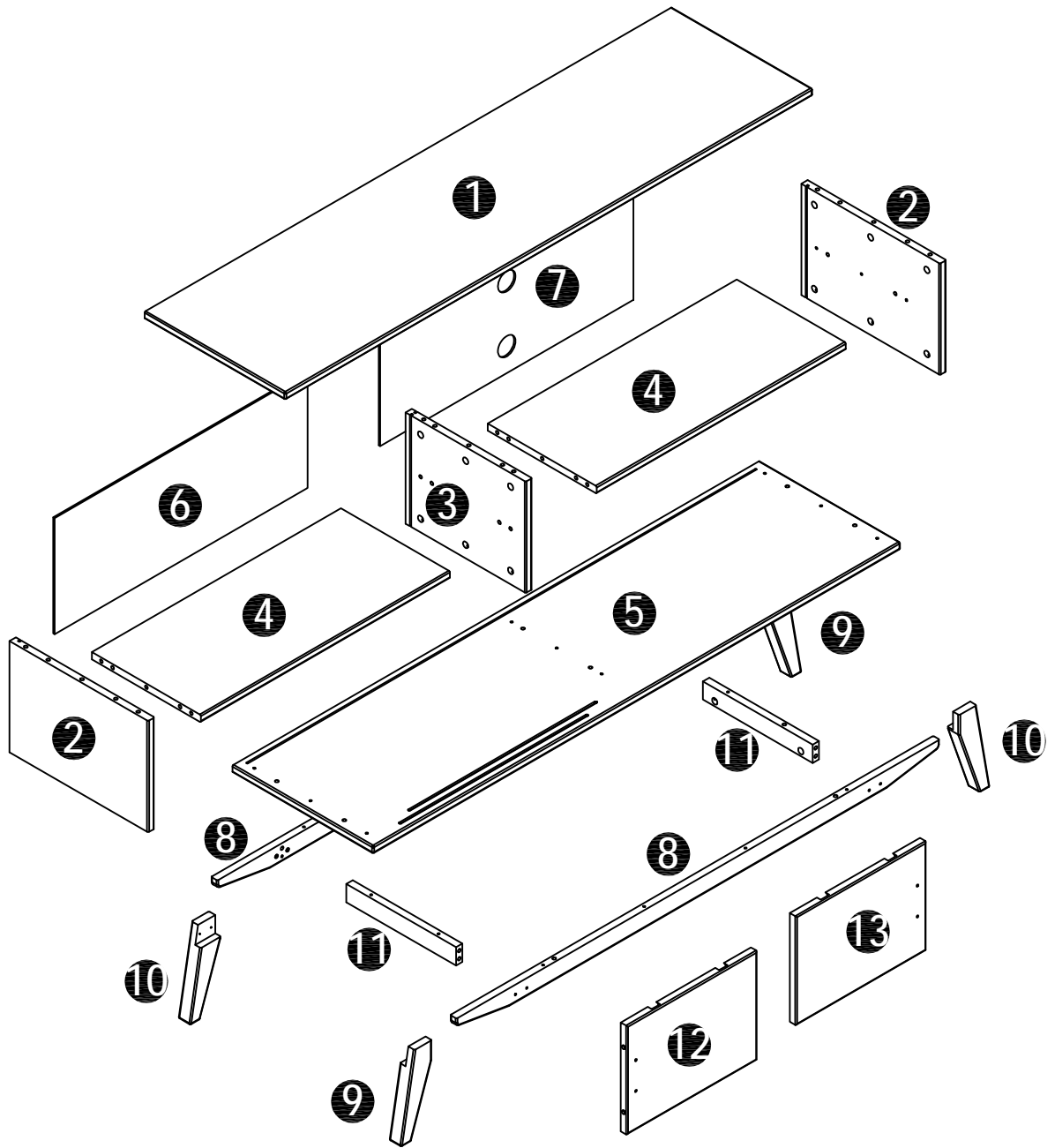
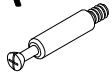


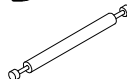

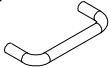

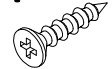
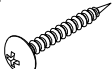
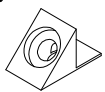


# PAULETTE

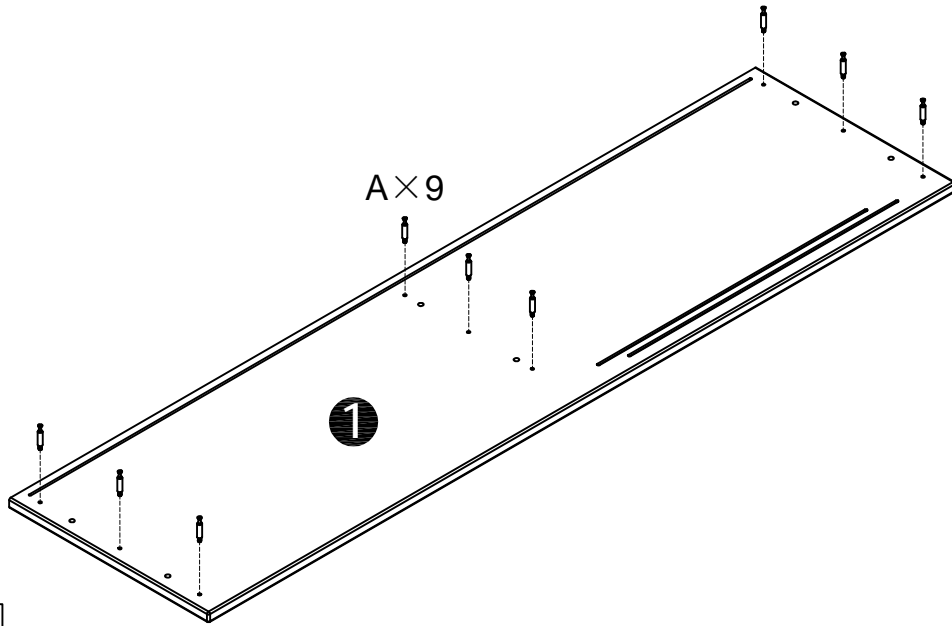
166354





<b>A</b>  $\varnothing 15$ x28	<b>B</b>  $\varnothing 15$ x34	<b>C</b>  $\varnothing 8 \times 30$ x28	<b>D</b>  x3	<b>E</b>  x18	<b>F</b>  x2	<b>G</b>  $\varnothing 4 \times 22$ x4
<b>H</b>  $\varnothing 3.0 \times 20$ x6	<b>I</b>  $\varnothing 4 \times 30$ x20	<b>J</b>  x6				

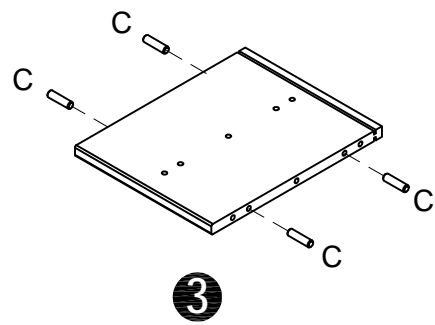
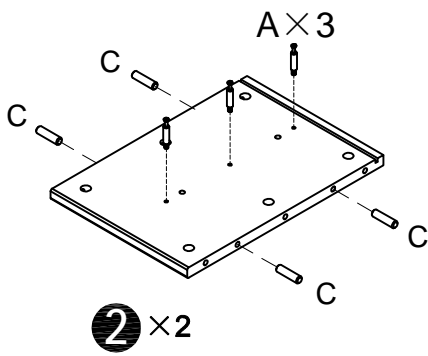
①



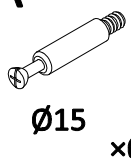
A



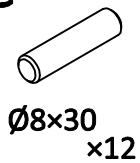
②



A

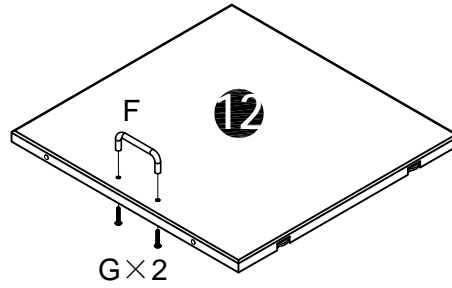


C

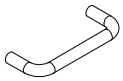




5

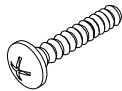


F



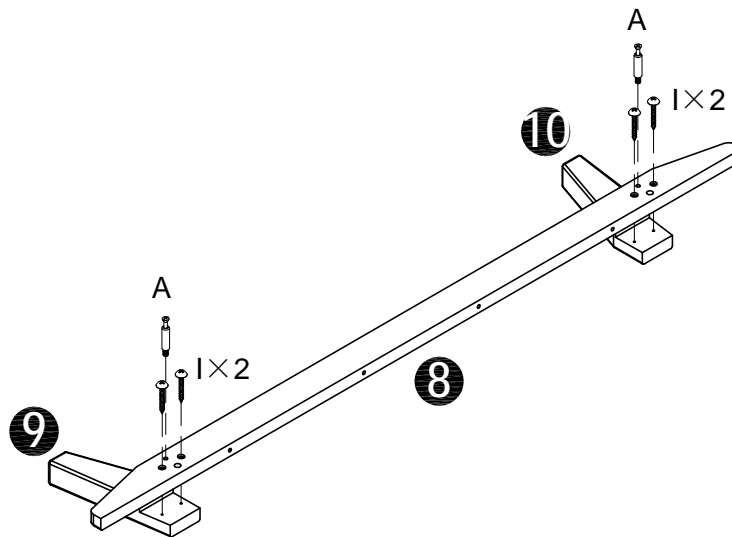
x1

G

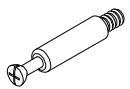


x2

6



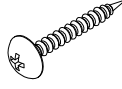
A



Ø15

x4

I

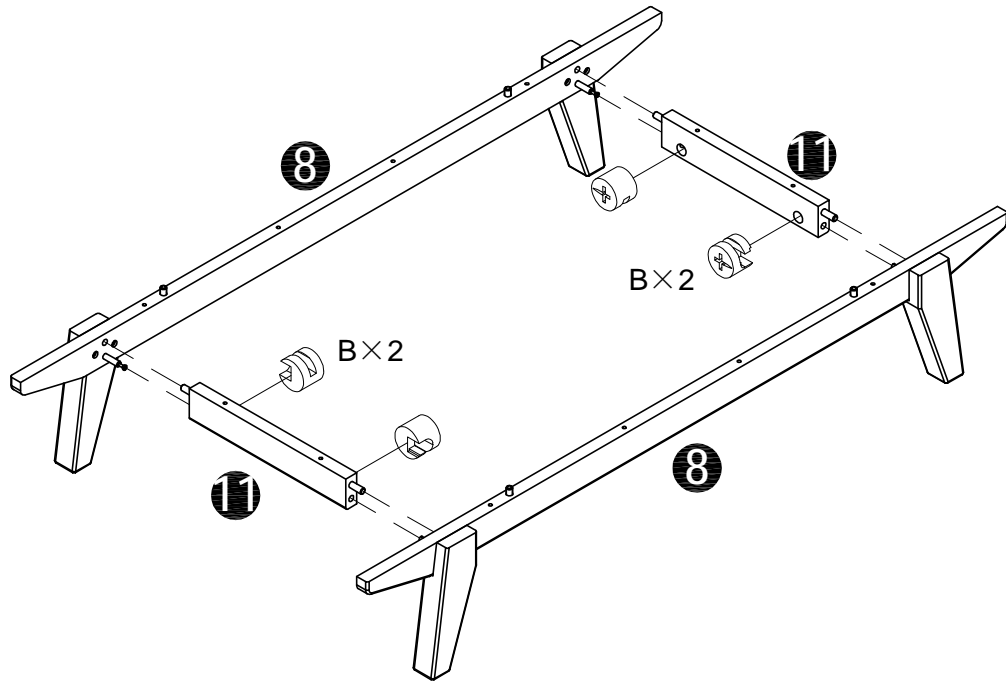


Ø4x30

x8

x2

7



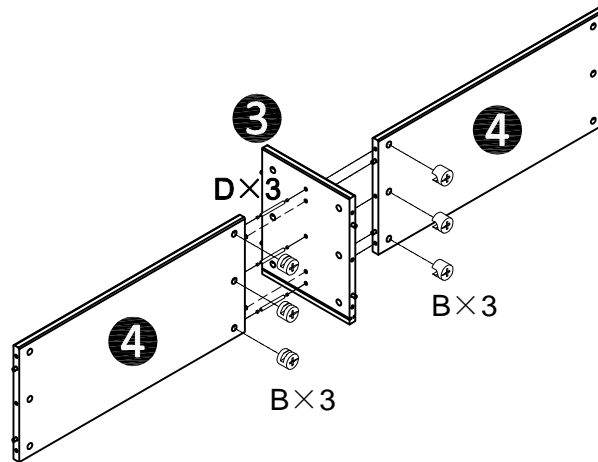
B



Ø15

x4

8



B



Ø15

x6

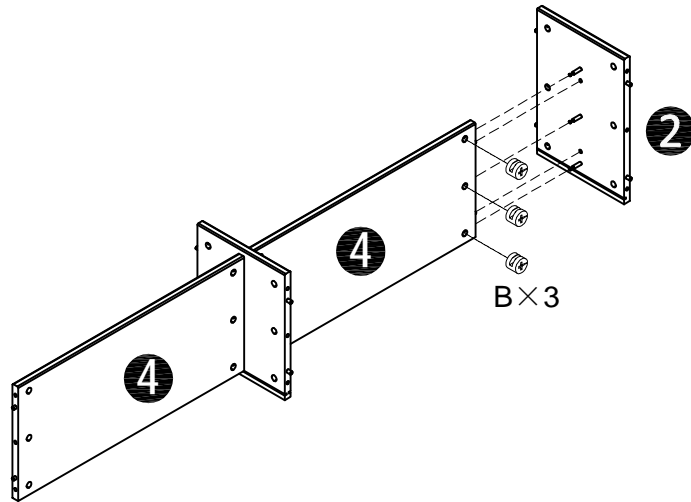
D



Ø15x66

x3

9



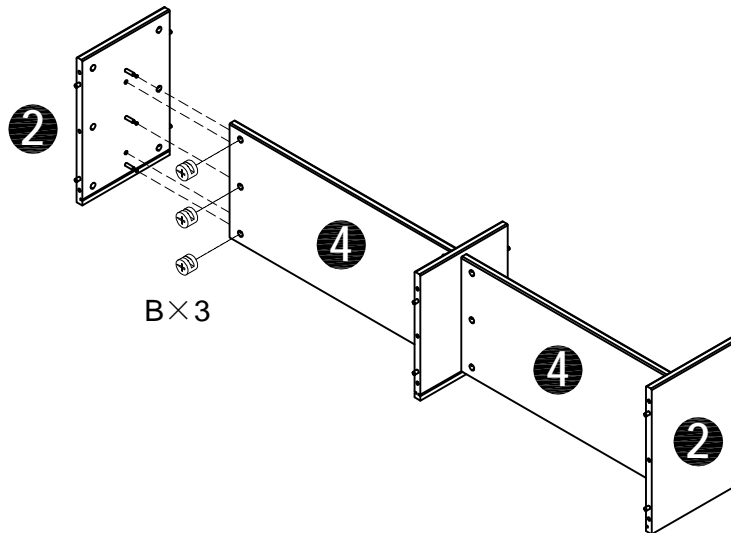
B



$\varnothing 15$

$\times 3$

10



B

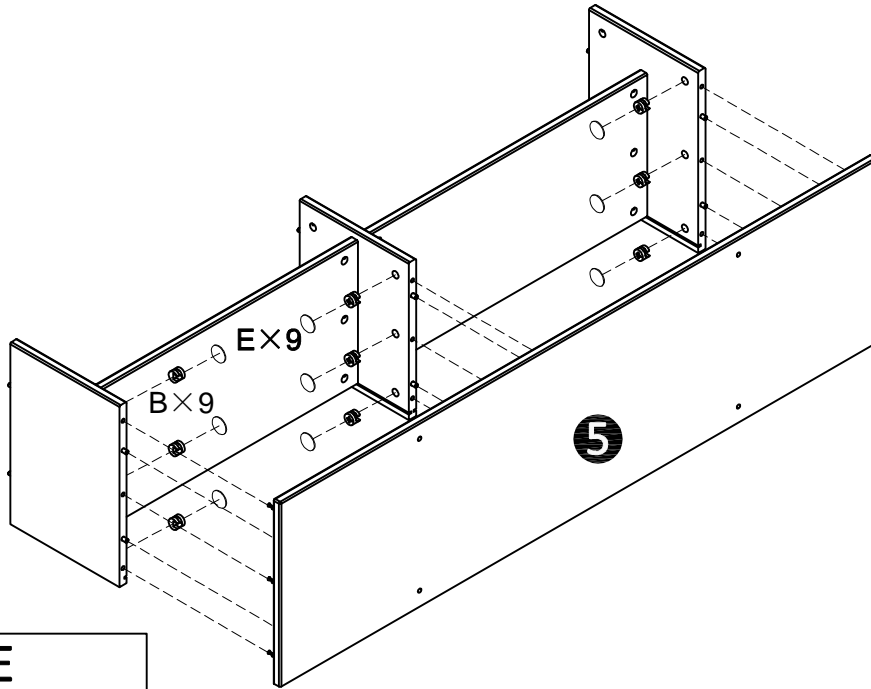


$\varnothing 15$

$\times 3$



11



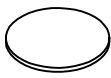
B



Ø15

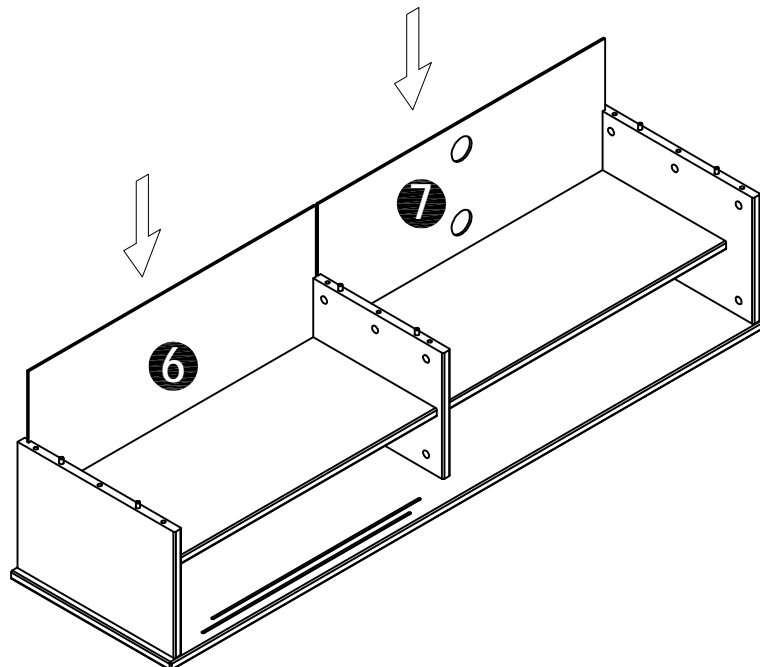
x9

E

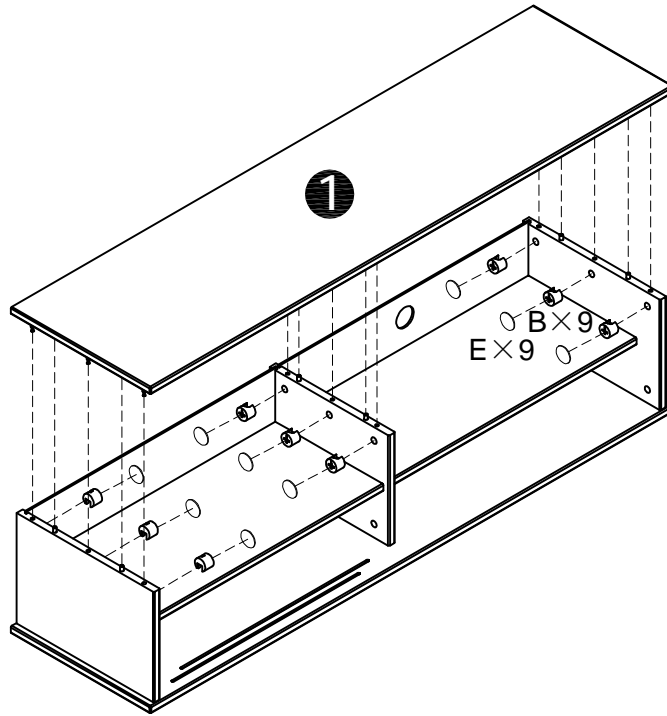


x9

12



13



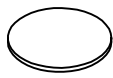
B



Ø15

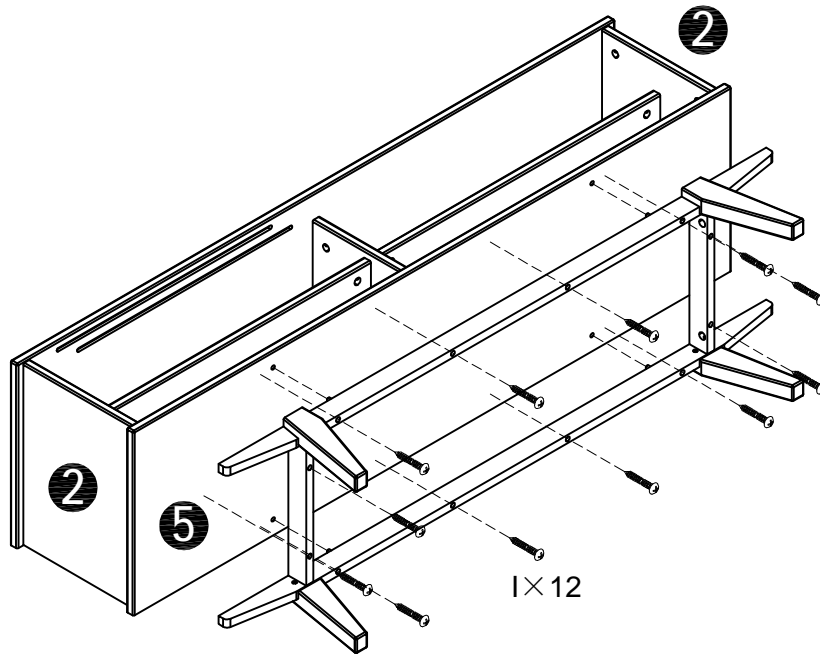
x9

E

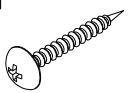


x9

14



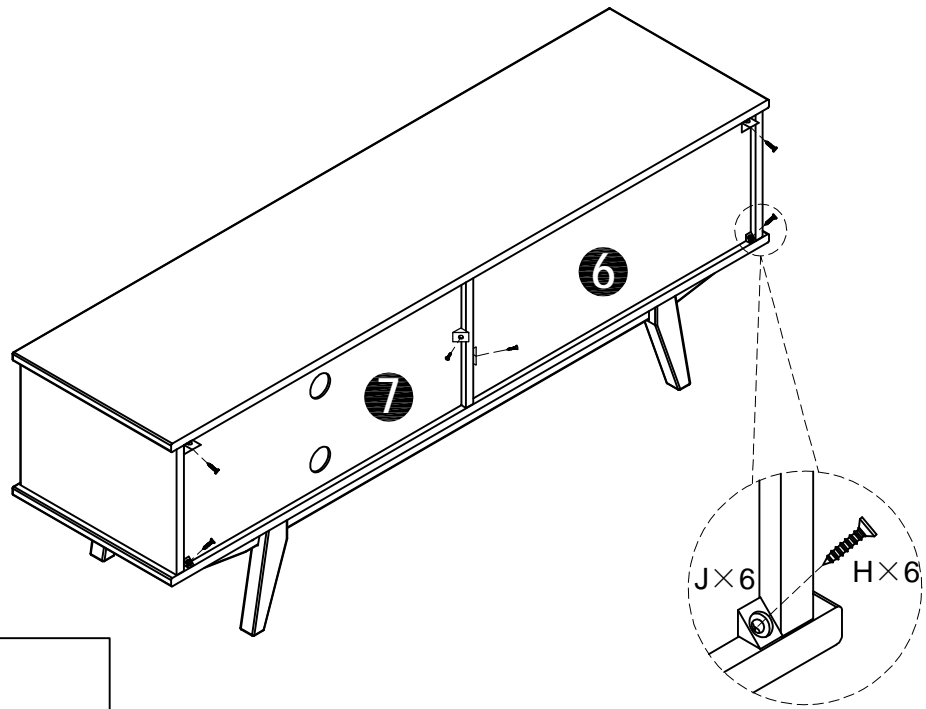
I



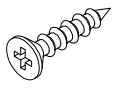
Ø4x30

x12

15

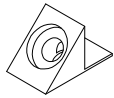


H



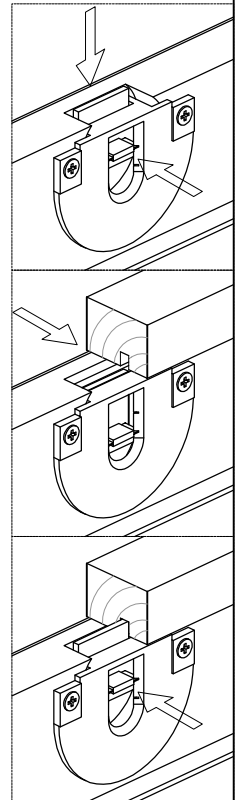
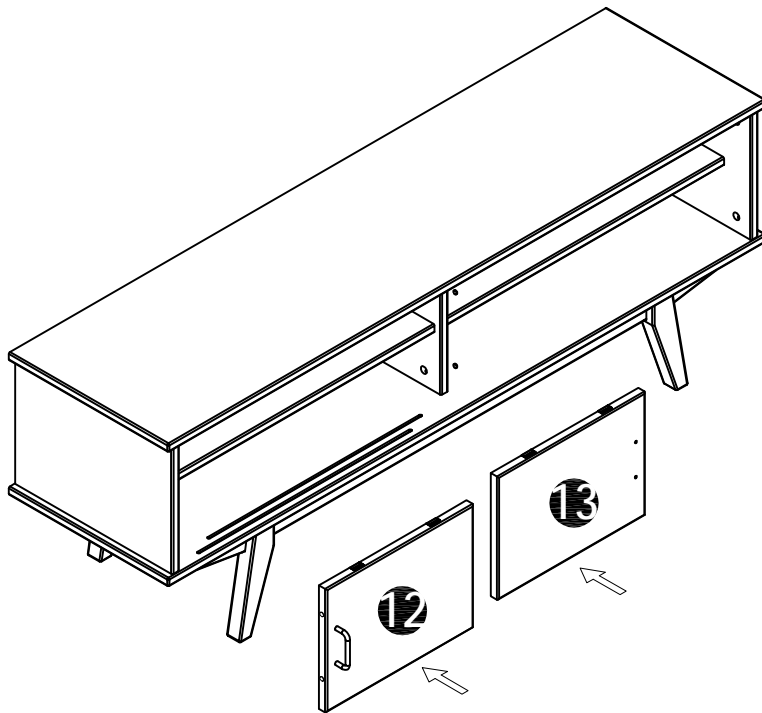
x6

J

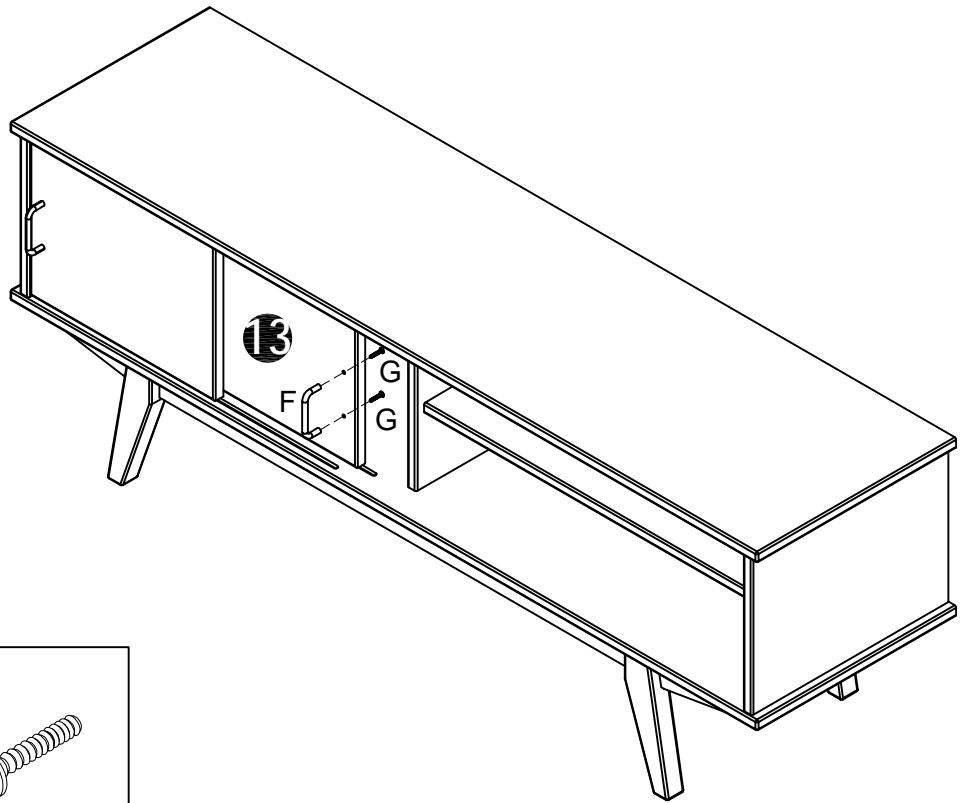


x6

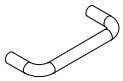
16



17

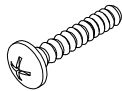


F



x1

G



x2

18

