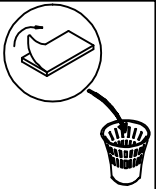
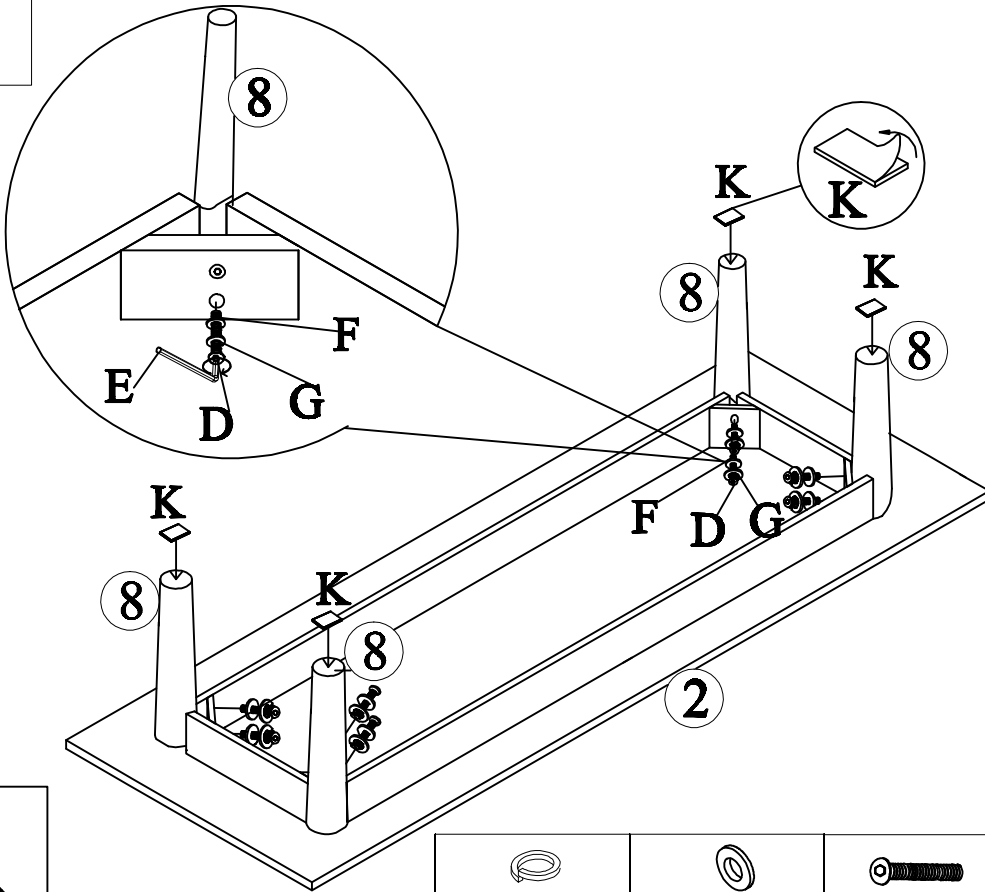
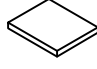





1

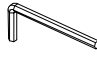



K x 4

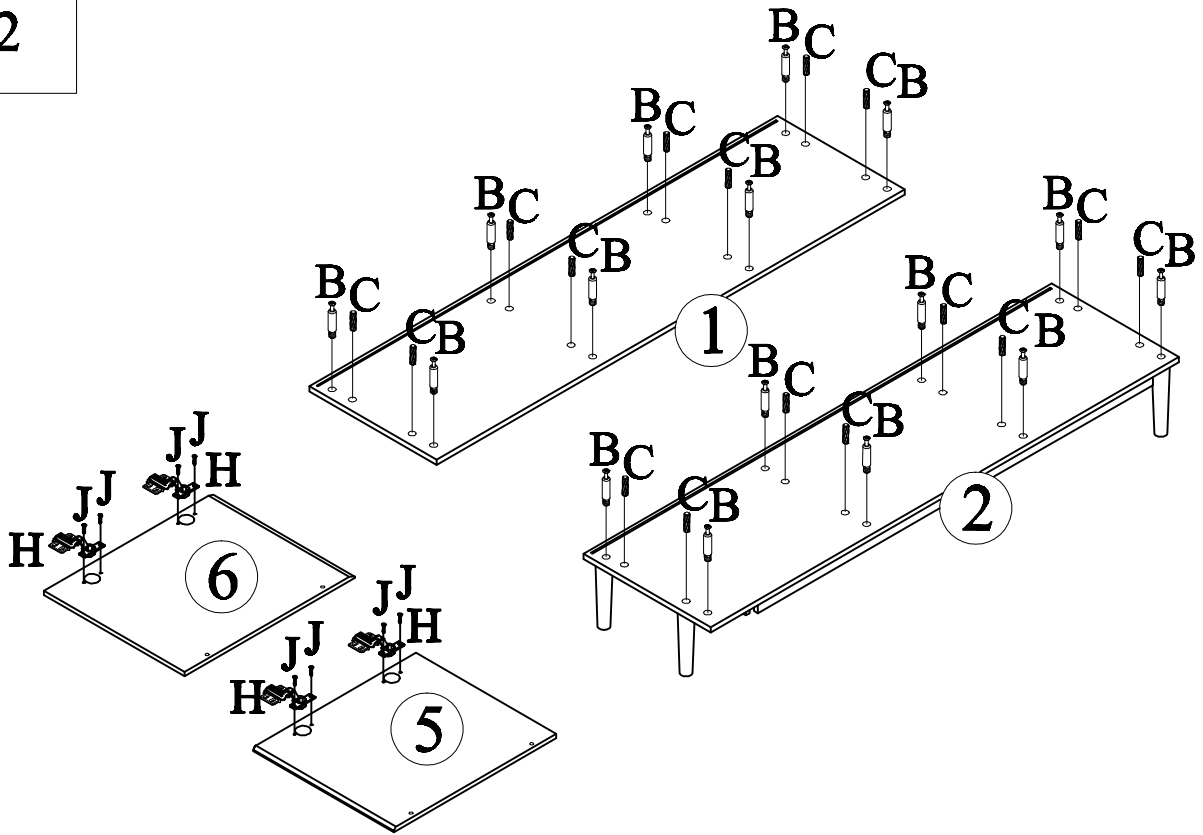

G x 8



F x 8



D x 8



E x 1

2




H x 4

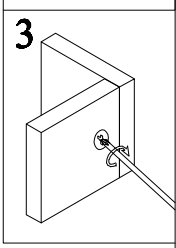
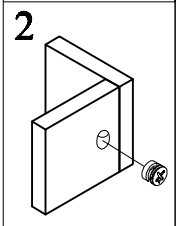
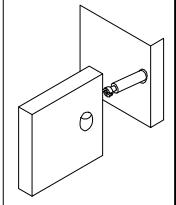
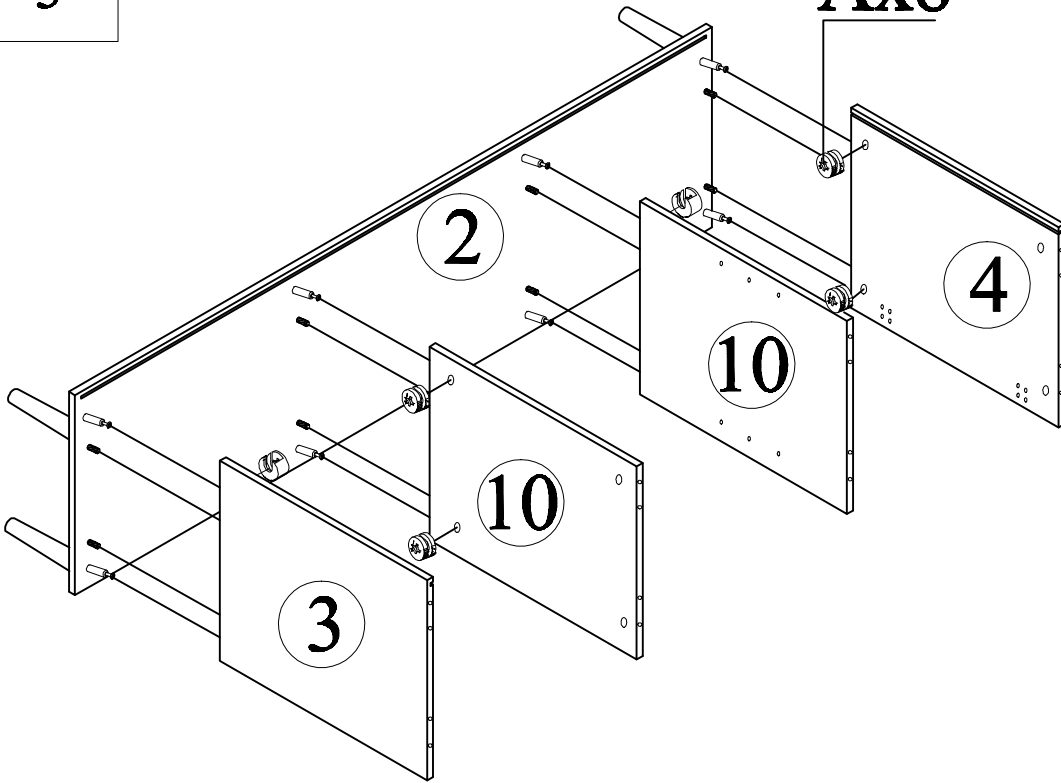

J x 8


C x 16

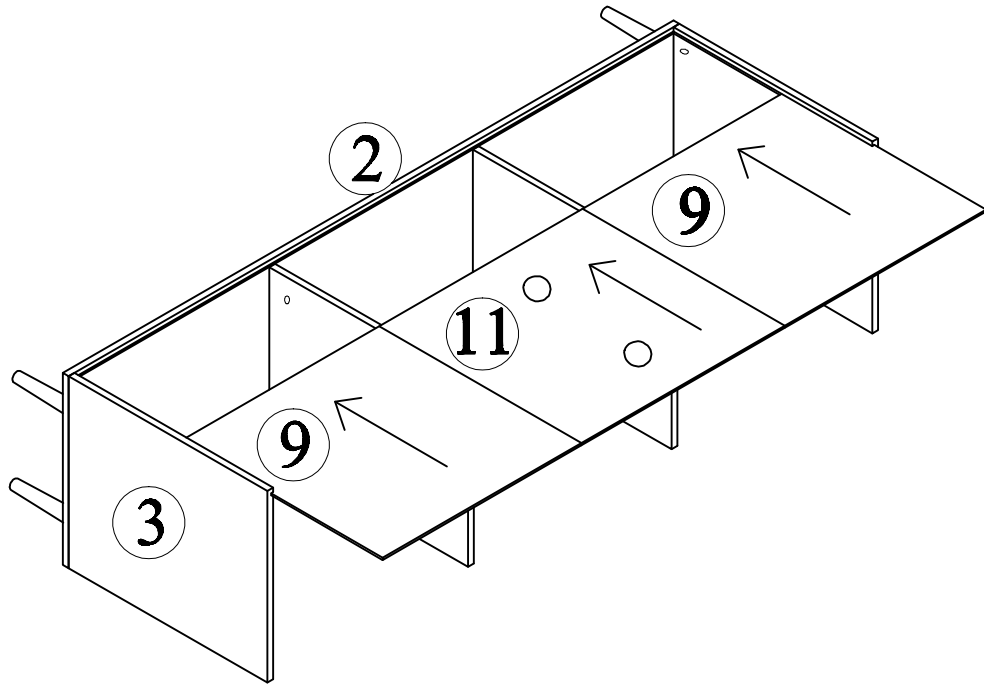

B x 16

3

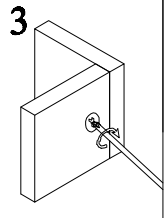
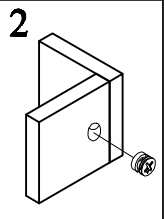
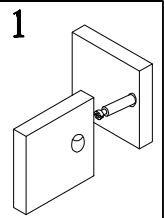
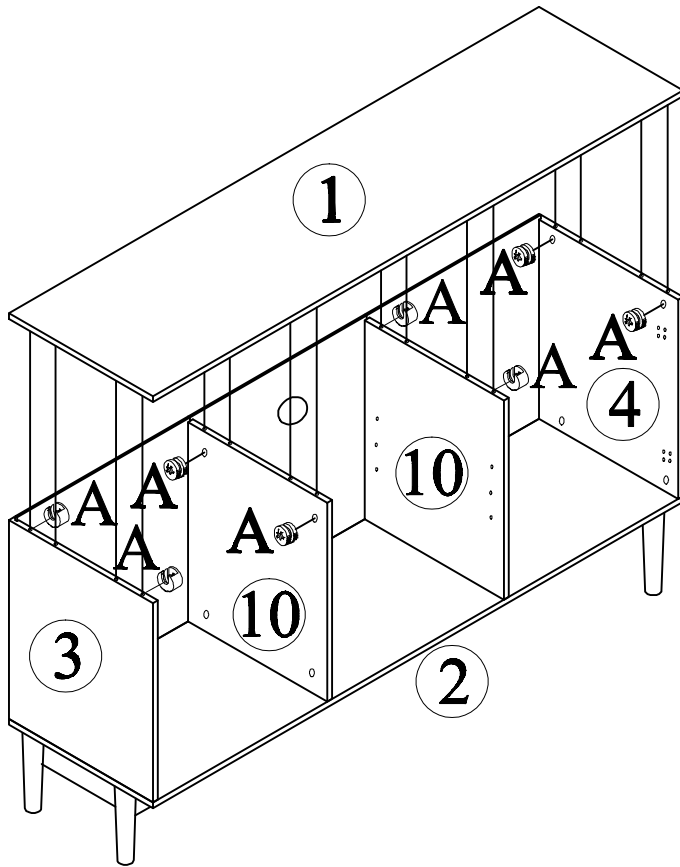
Ax8



4

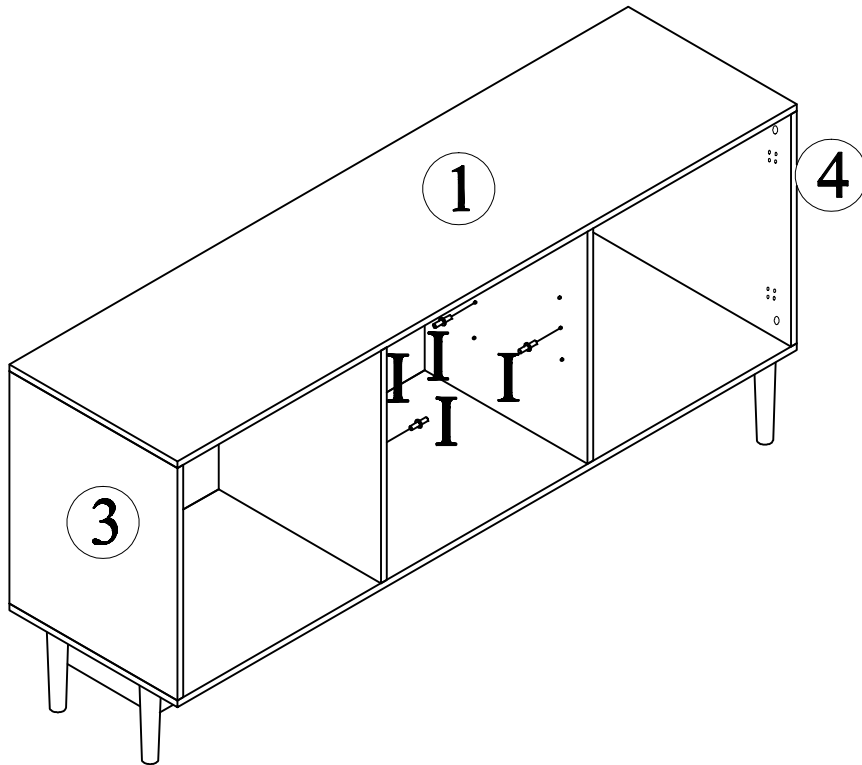


5



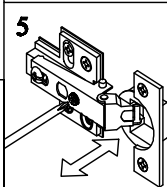
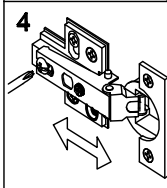
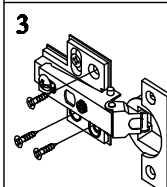
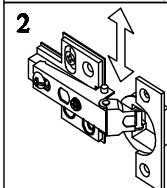
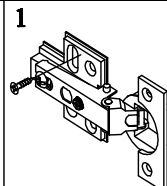
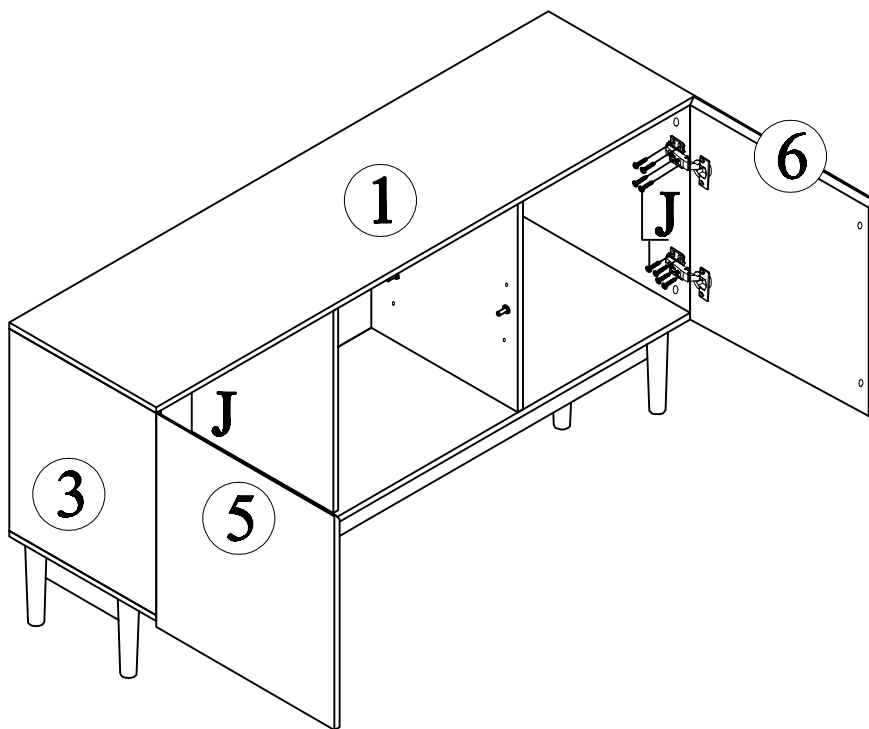
A x 8

6



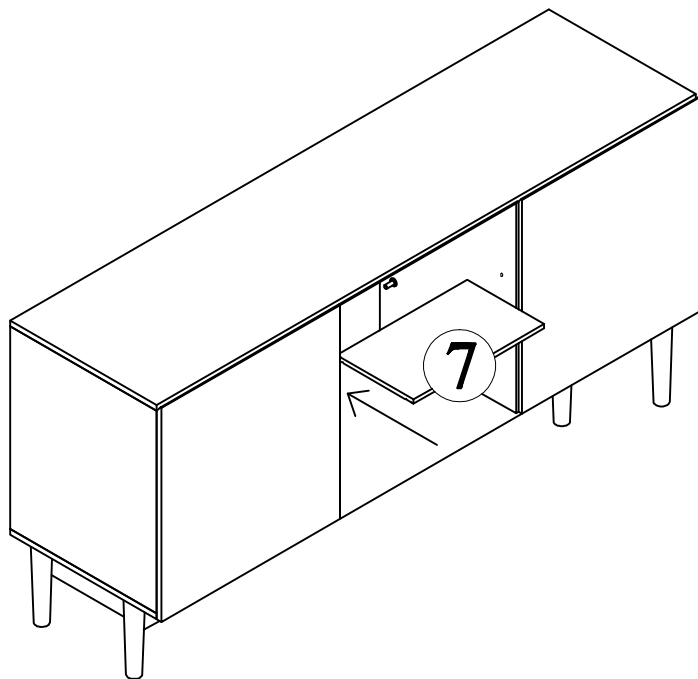
I x 4

7

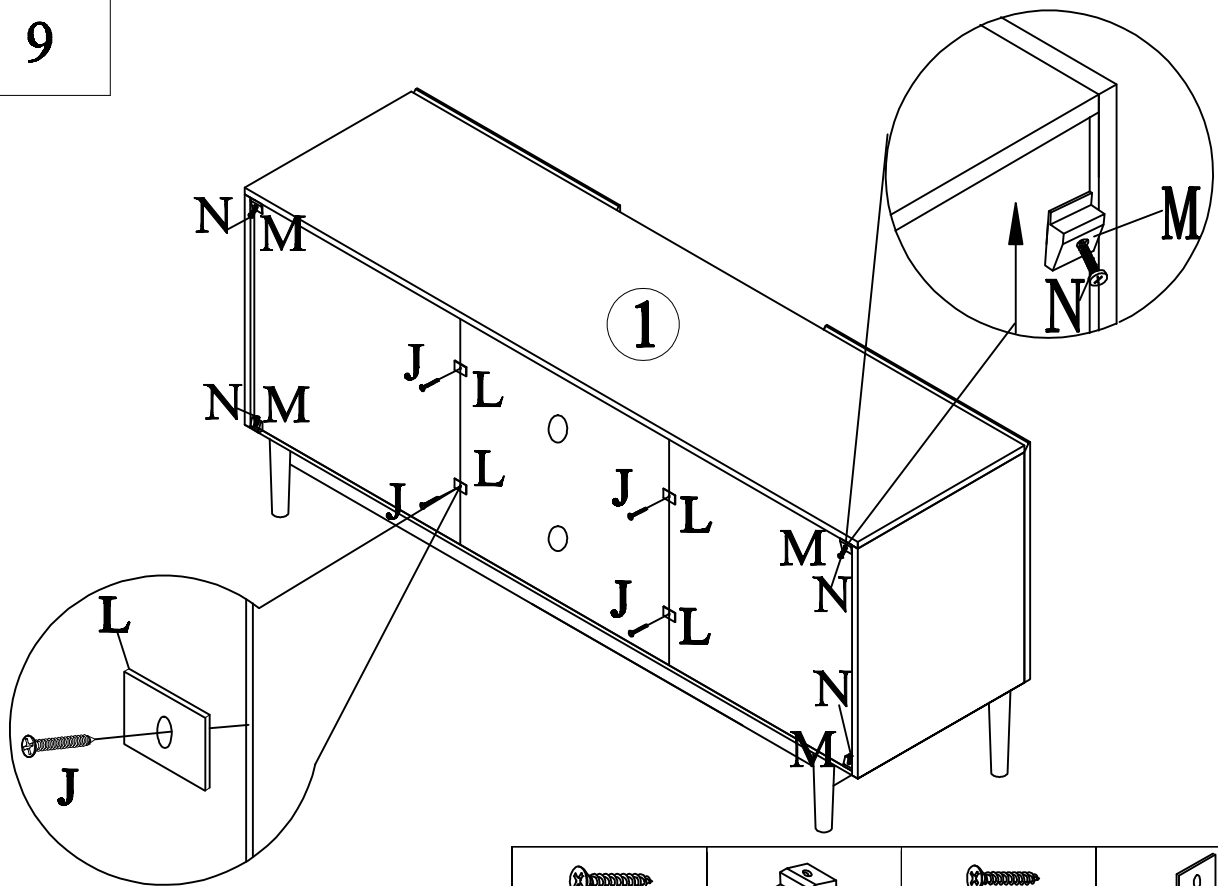






J x16

8



9



			
N x 4	M x 4	J x 4	L x 4

10

