
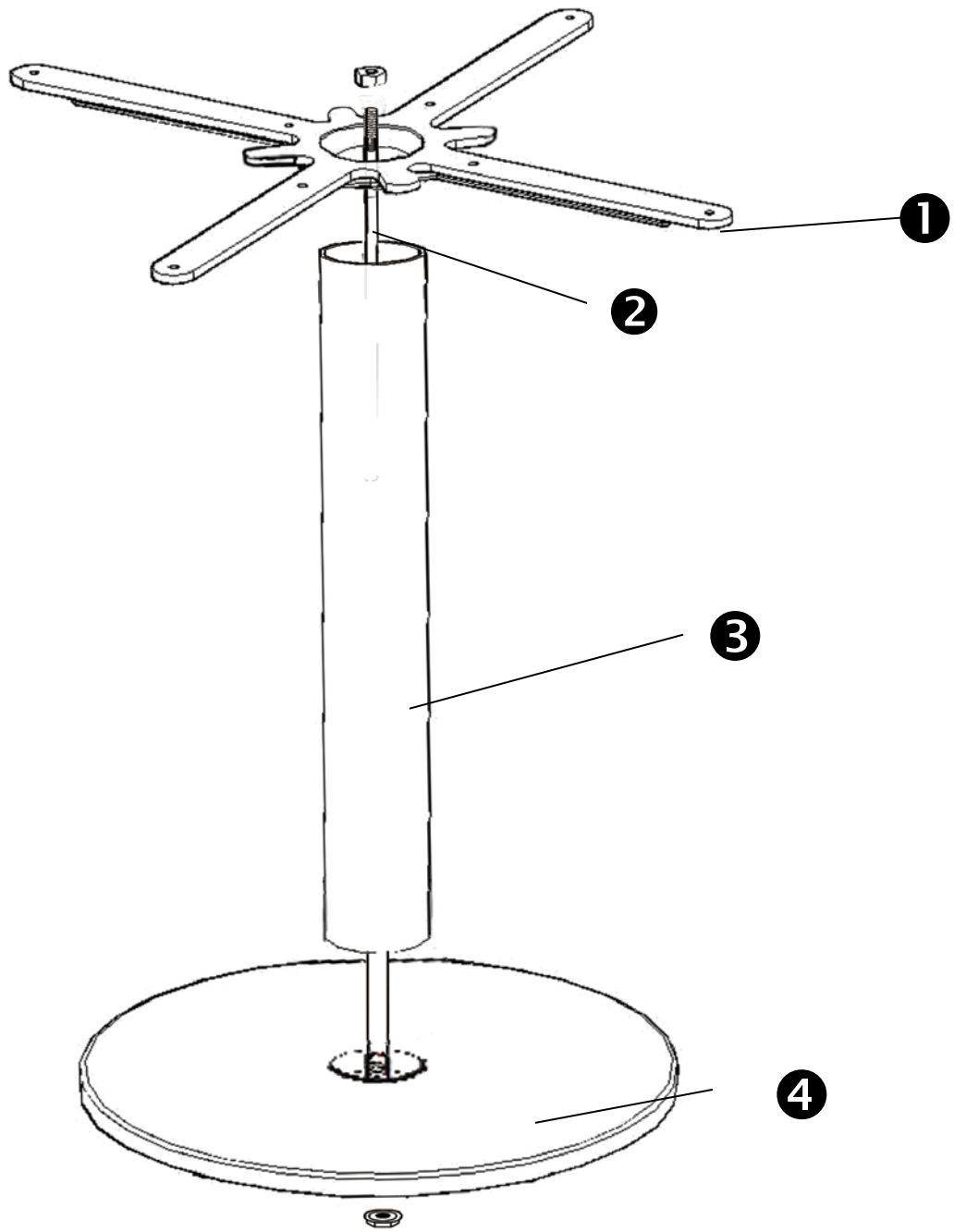


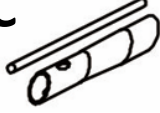
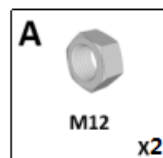
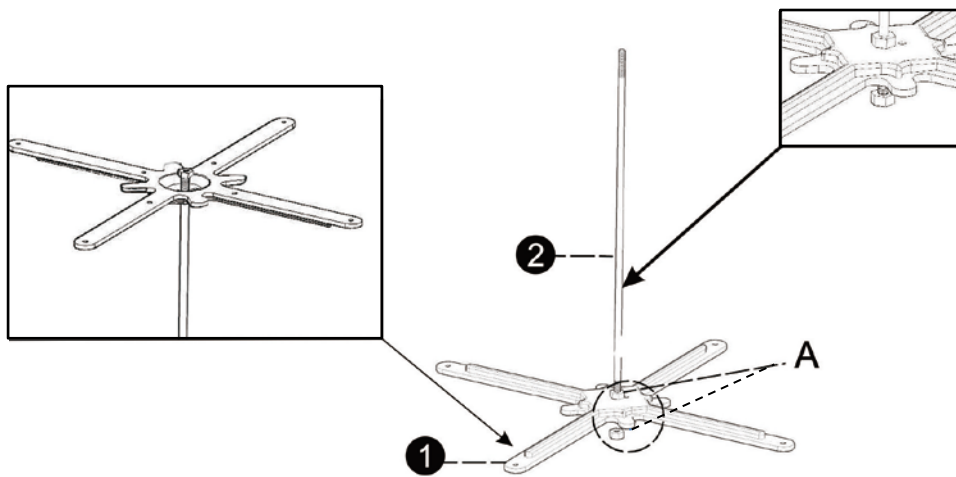
 10 MIN	
--------------------------------------------------------------------------------------------	-------------------------------------------------------------------------------------

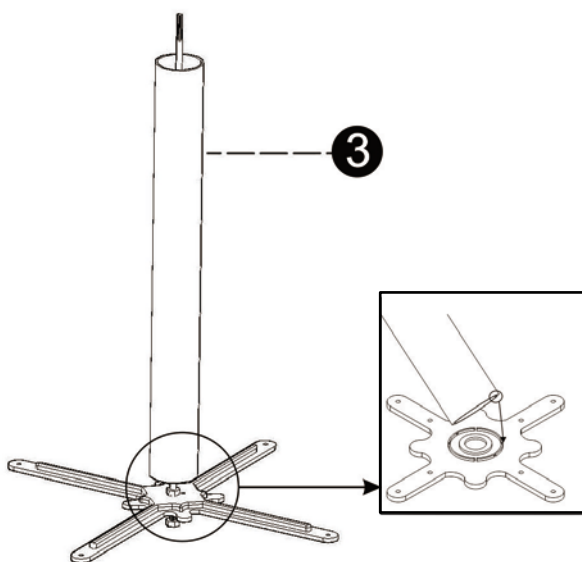


A  M12 X2	B  M12 X1	C  M12 X1
--------------------------------------------------------------------------------------------------------------	--------------------------------------------------------------------------------------------------------------	---------------------------------------------------------------------------------------------------------------

①



②



③

