

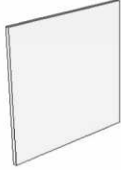


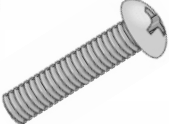
 20 MIN		①  X1	②  X1	A  X2
B  X2	C  X16			

