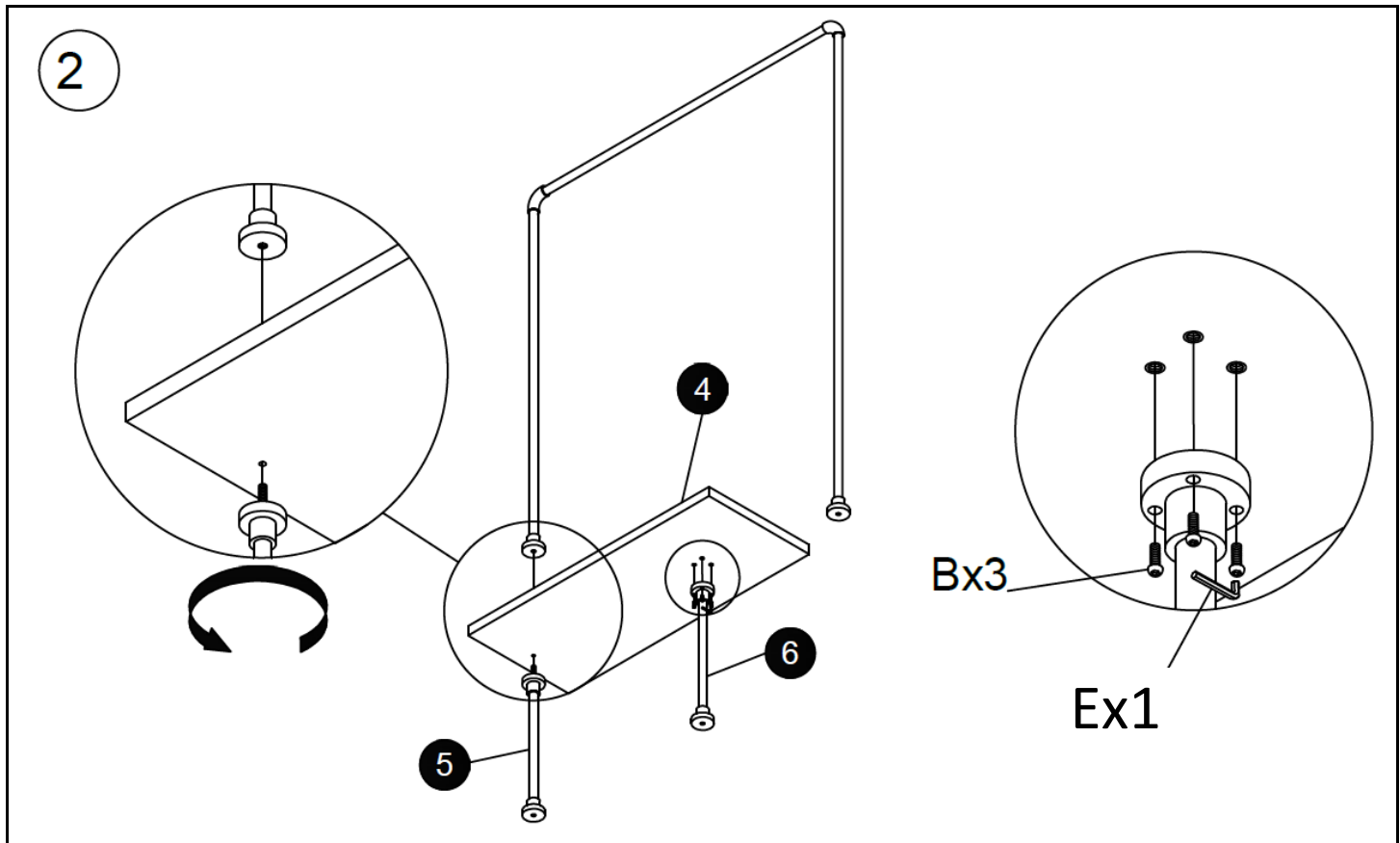
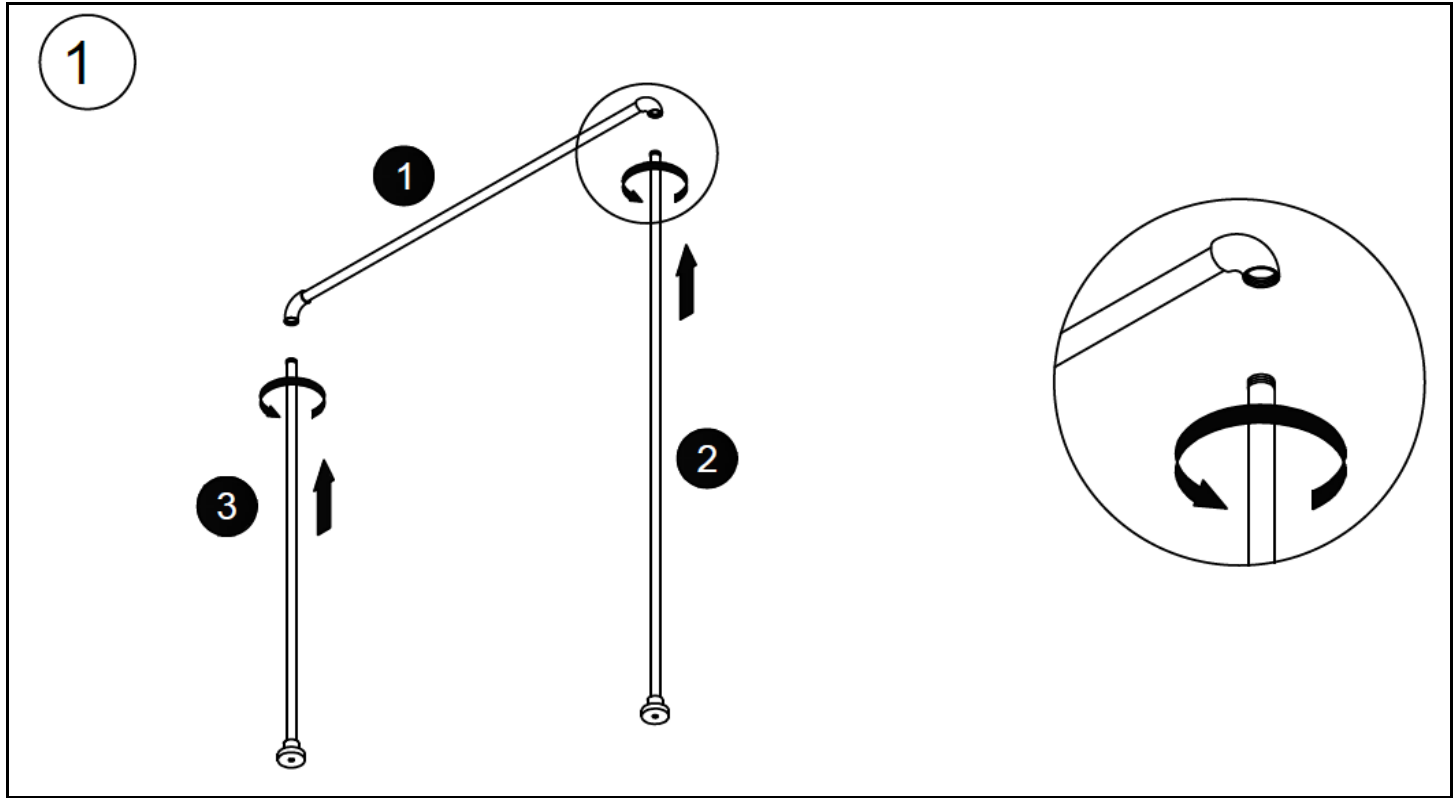


| | | | | | | |
|-----------------|--|-----------------------------------|-----------------------------------|-----------------------------------|---------------------------|-------------------------------|
| <p>20 Mins.</p> | | <p>A Ø38/8mm</p> <p>x3</p> | <p>B Ø38/8mm</p> <p>x3</p> | <p>C Ø22/9mm</p> <p>x3</p> | <p>D</p> <p>x1</p> | <p>E 4mm</p> <p>x1</p> |
|-----------------|--|-----------------------------------|-----------------------------------|-----------------------------------|---------------------------|-------------------------------|



3

