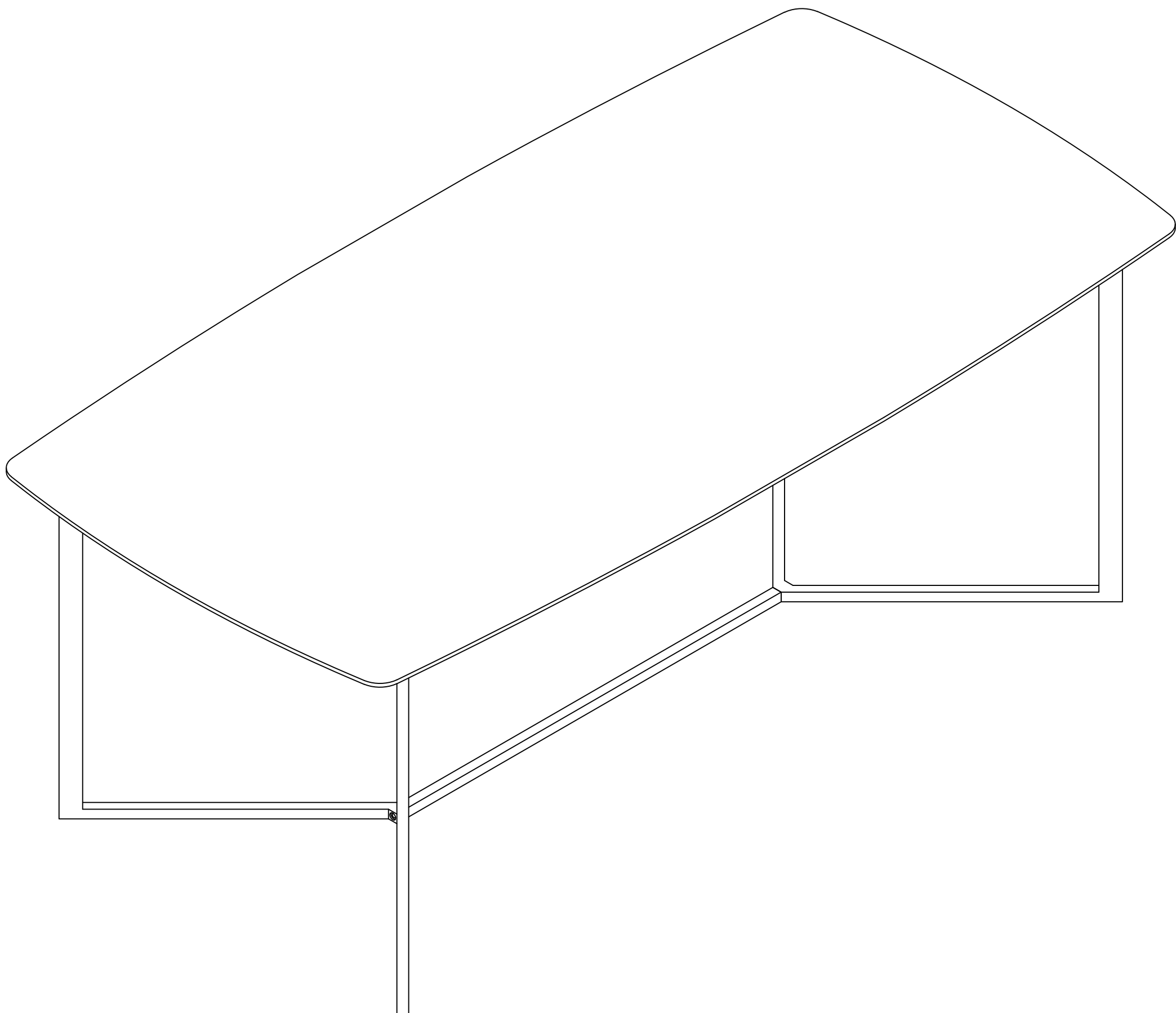




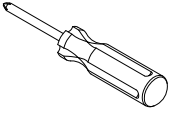
OPAL

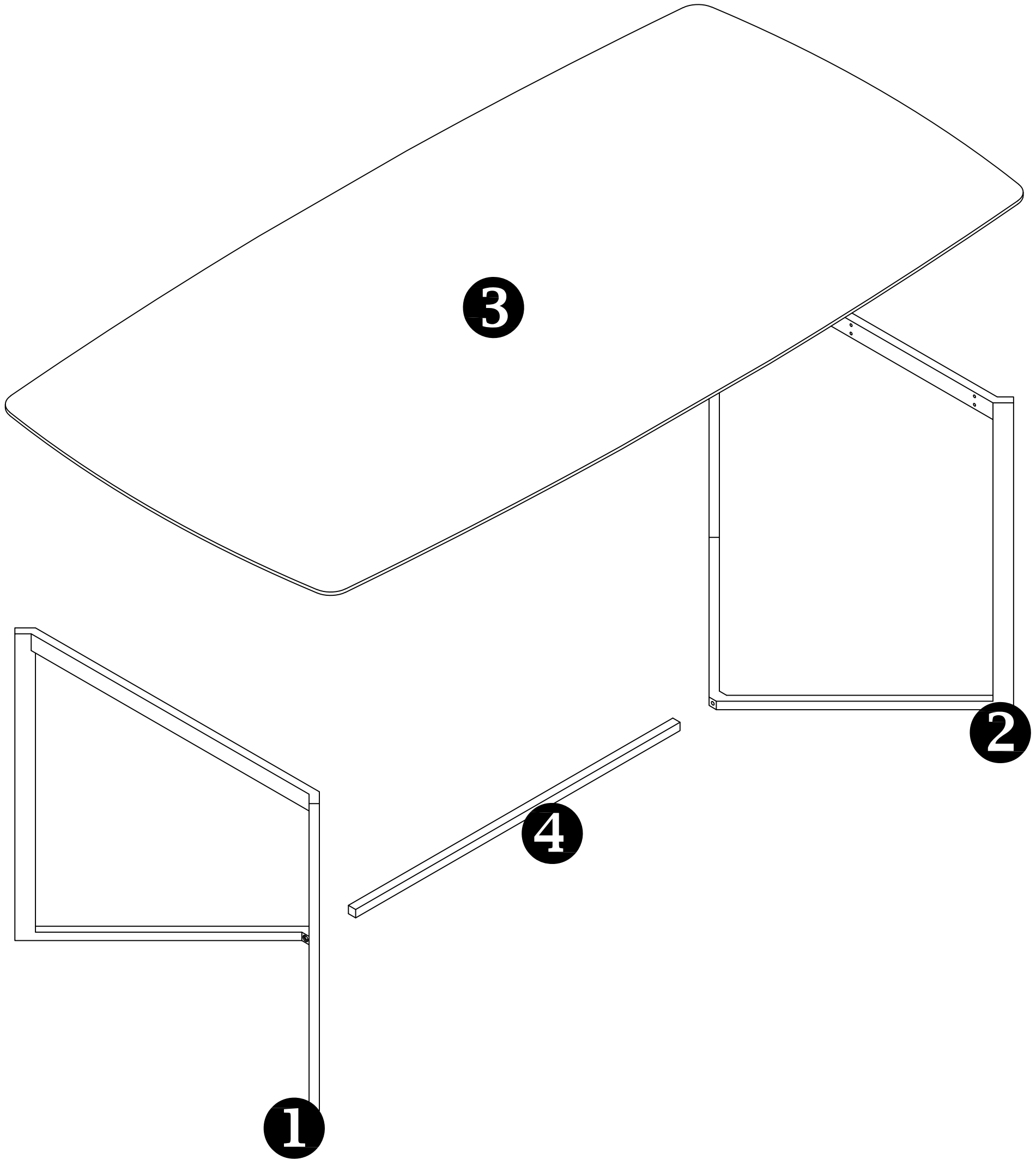
175851

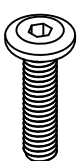
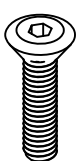



MEUBLES & DÉCORATION

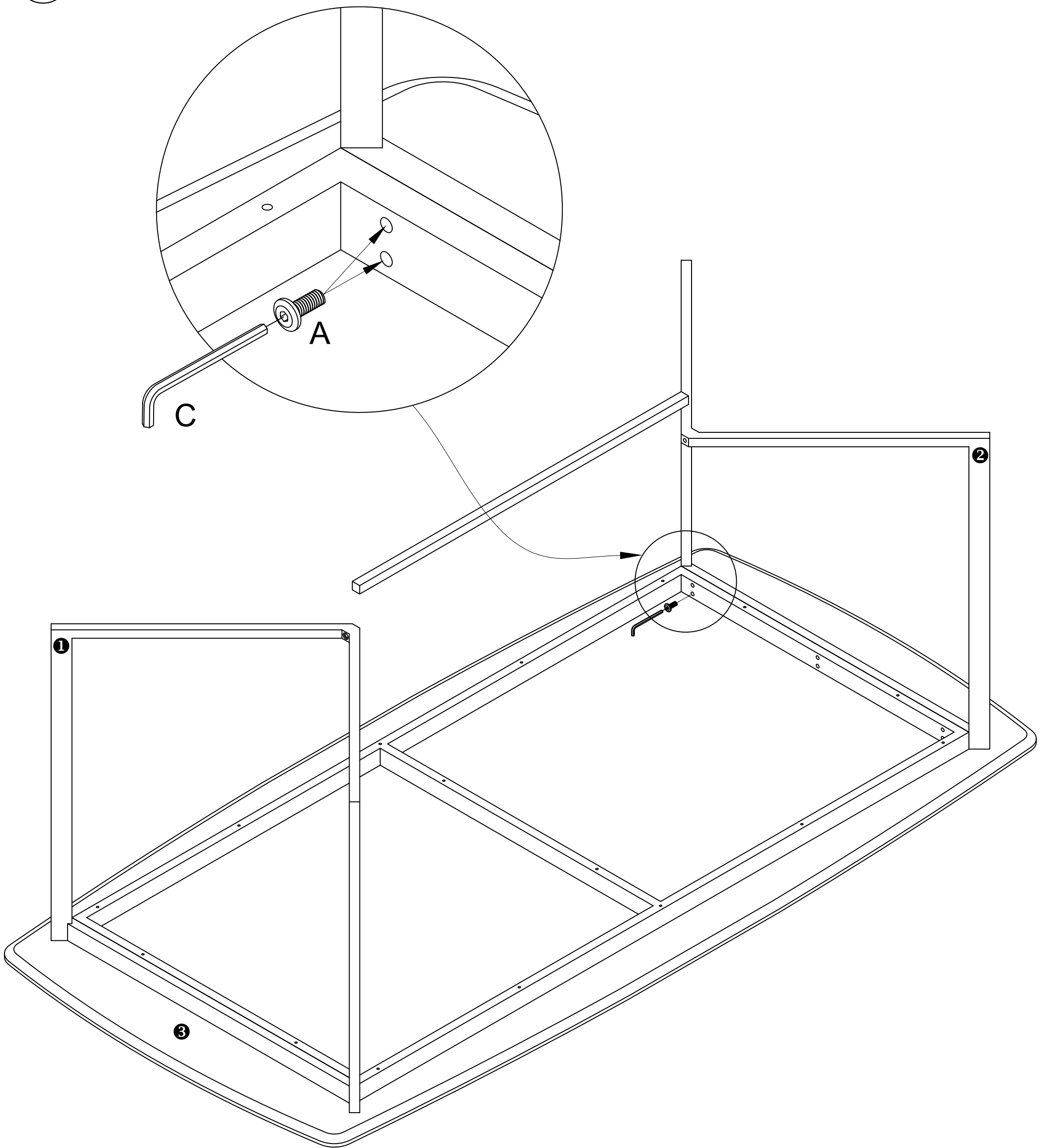


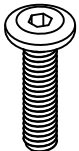

 15 MIN		
--------------------------------------------------------------------------------------------	-------------------------------------------------------------------------------------	-------------------------------------------------------------------------------------



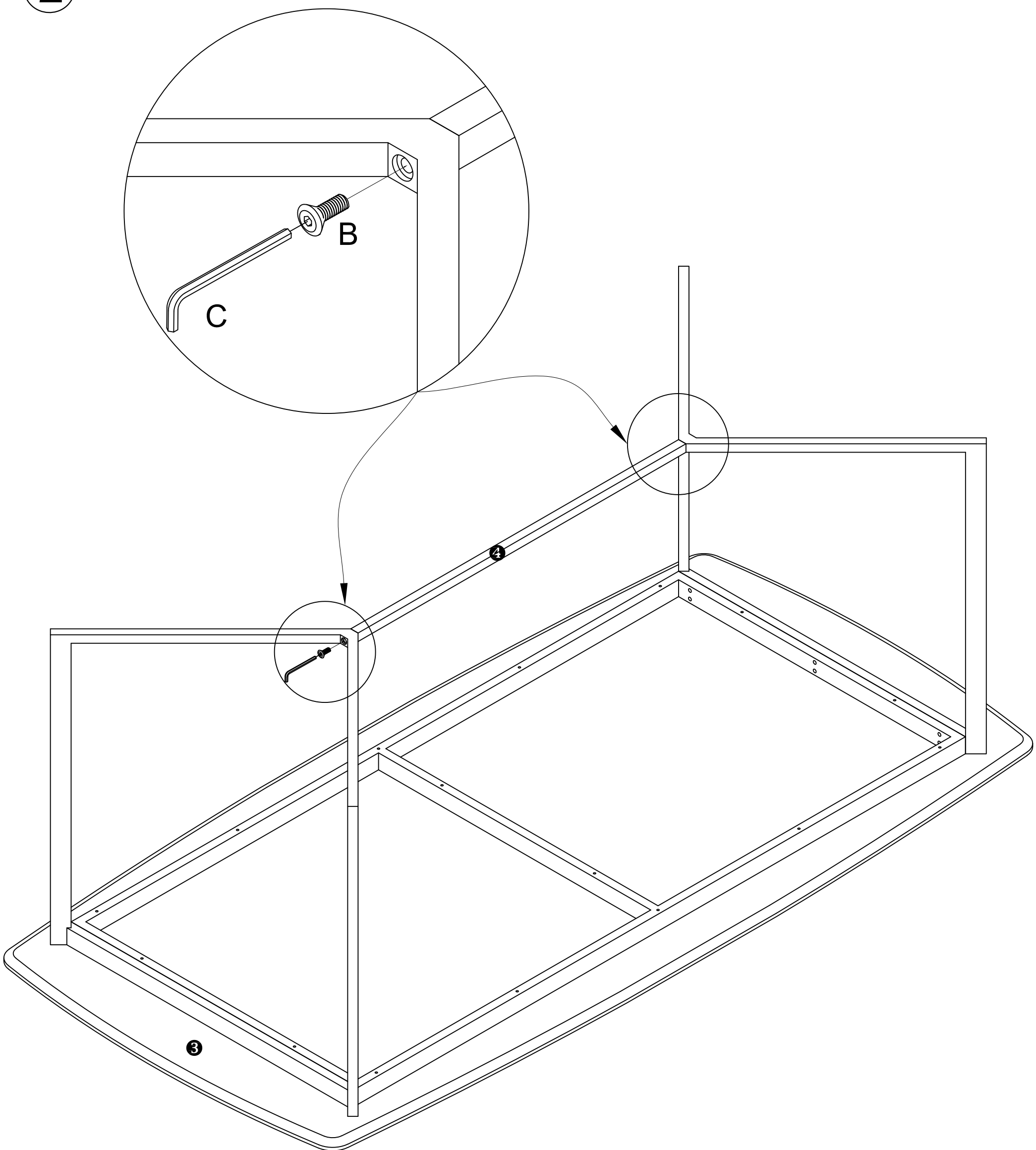
<p>A Ø 6 x 35 mm</p>  <p>X12</p>	<p>B M6*35 mm</p>  <p>X2</p>	<p>C M4*100 mm</p>  <p>X1</p>
----------------------------------------------------------------------------------------------------------------------------	------------------------------------------------------------------------------------------------------------------------	-------------------------------------------------------------------------------------------------------------------------

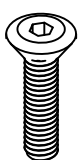

1



A Ø 6 x 35 mm	B M4*100 mm
	
X12	X1

2



B Ø 6 x 35 mm	C M4*100 mm
	
X2	X1