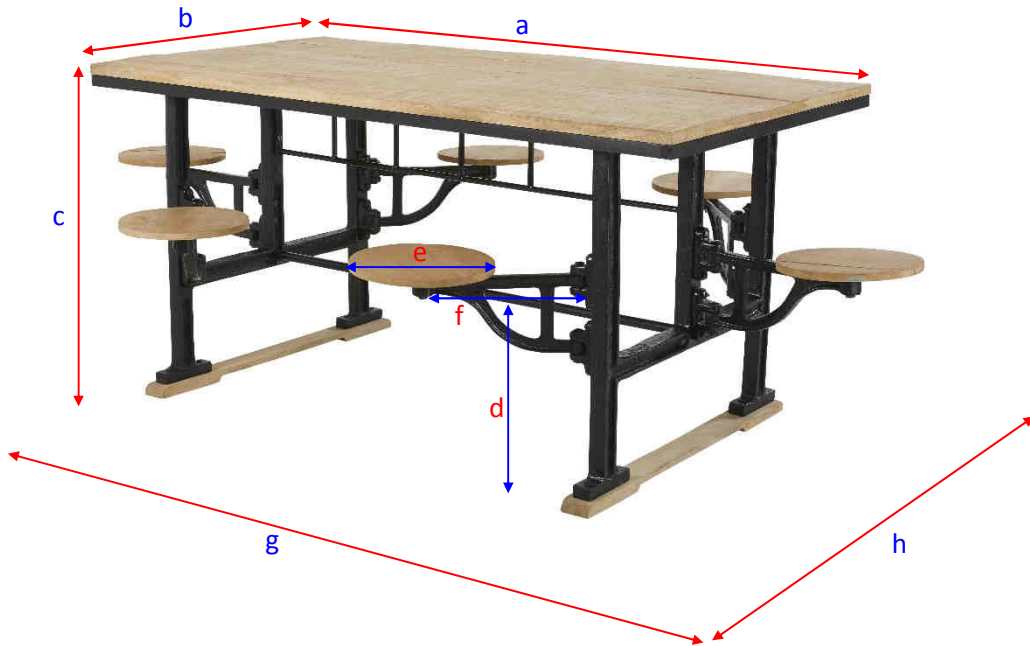
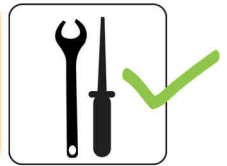


## FACTORY

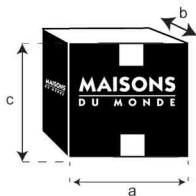
187457



a = 180 cm  
b = 91 cm  
c = 84 cm

d = 29 cm  
e = 31,5 cm  
f = 34,5 cm

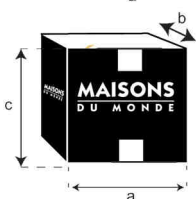
g = 204,5 cm  
h = 171 cm



**X 1**

a = 190 cm  
b = 18 cm  
c = 104 cm

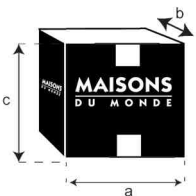
**= 60 Kg**



**X 1**

a = 92 cm  
b = 24 cm  
c = 100 cm

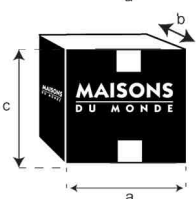
**= 62 Kg**



**X 1**

a = 100 cm  
b = 26 cm  
c = 96 cm

**= 62 Kg**



**X 1**

a = 37 cm  
b = 37 cm  
c = 56 cm

**= 14 Kg**