
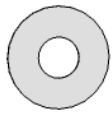

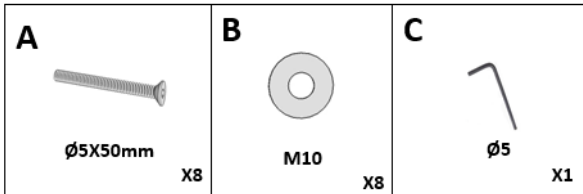
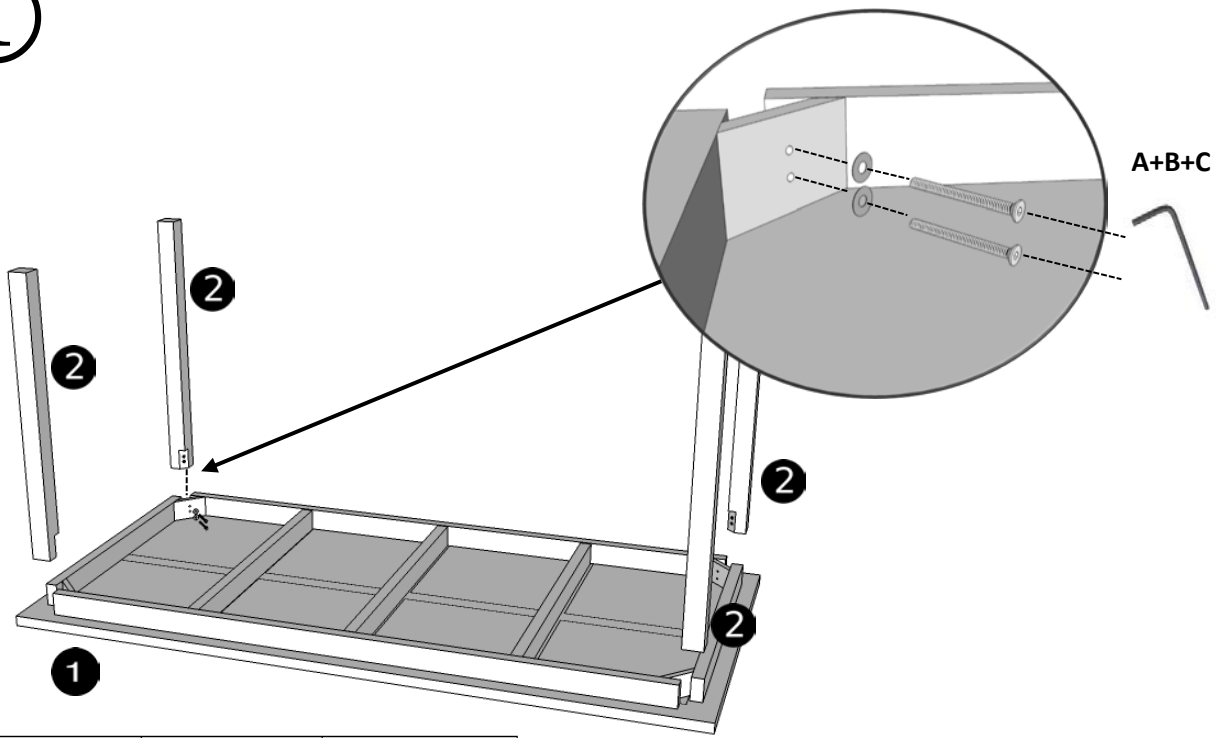


<b>A</b>  Ø5X50mm X8	<b>B</b>  M10 X8	<b>C</b>  Ø5 X1
--	--	---

1



2

