
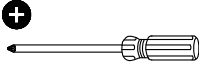
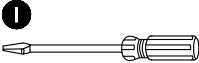

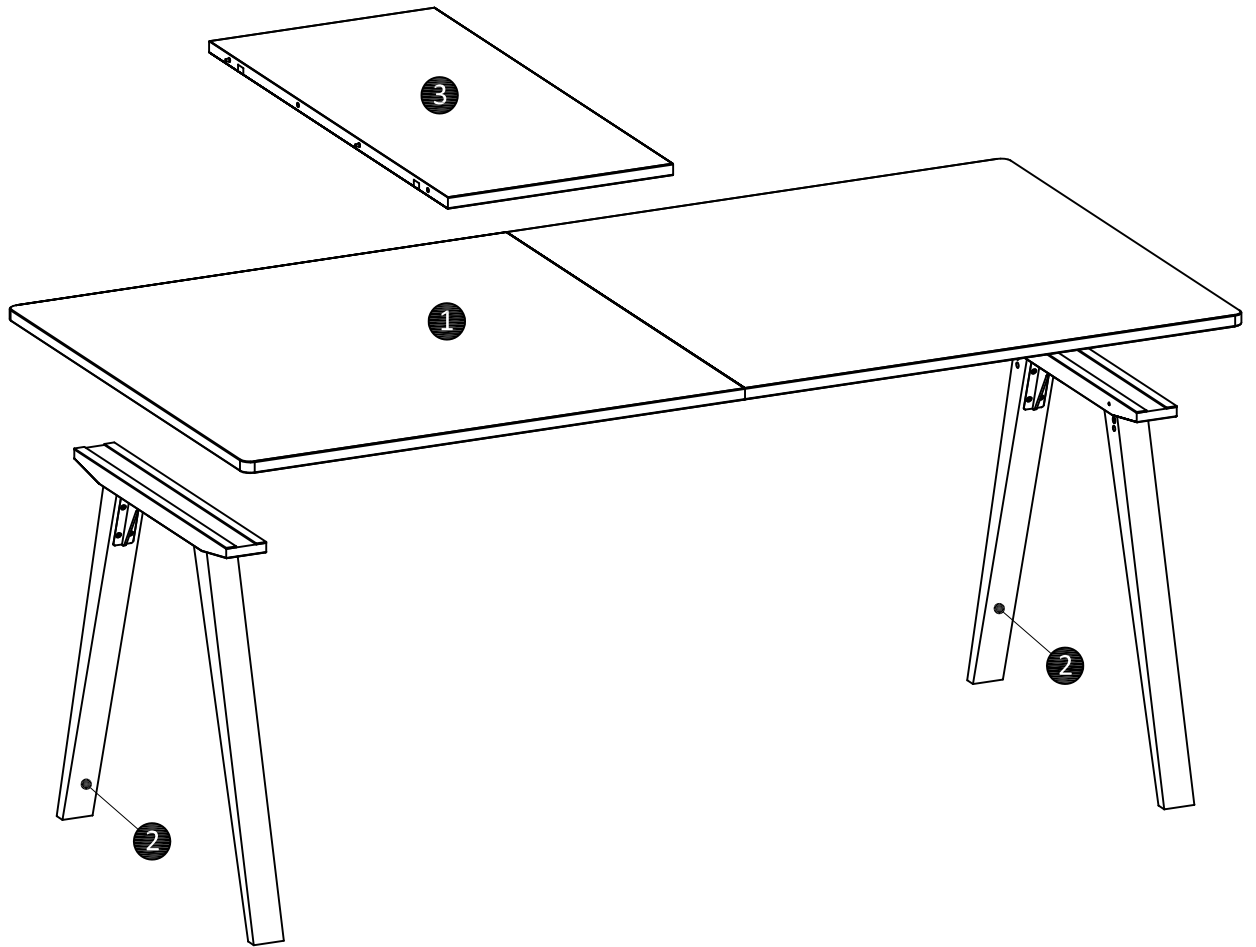
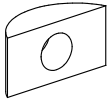

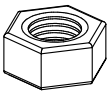
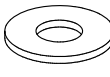

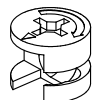
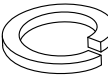


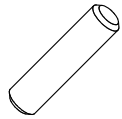
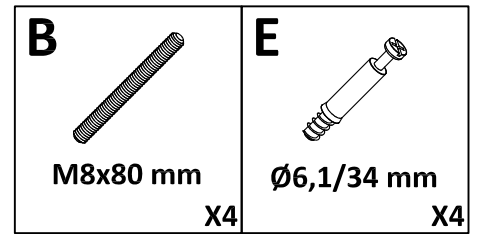
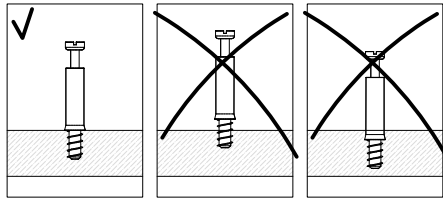
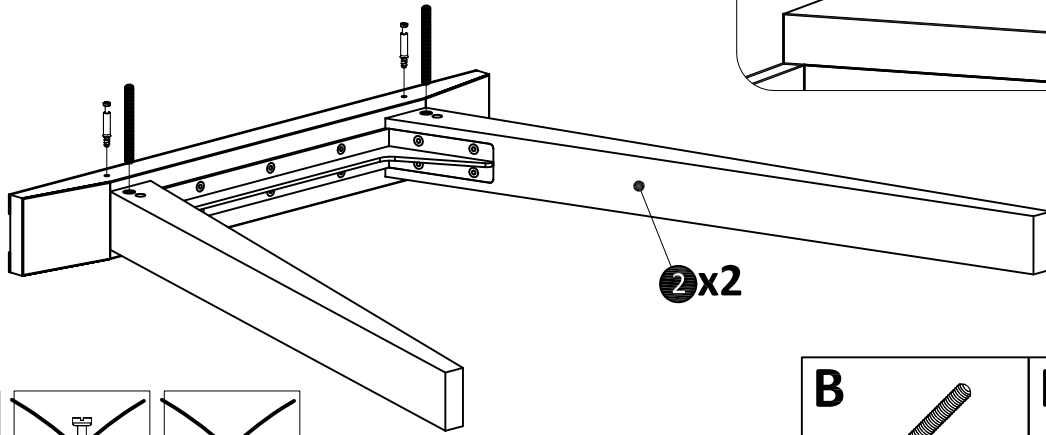
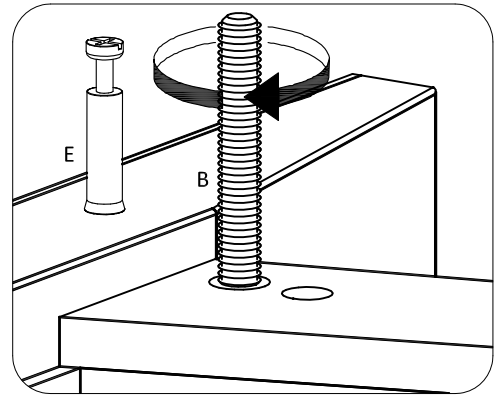
 60 MIN				
---	---	---	---	---

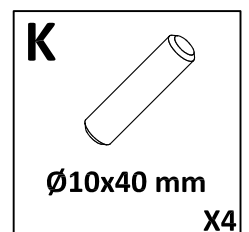
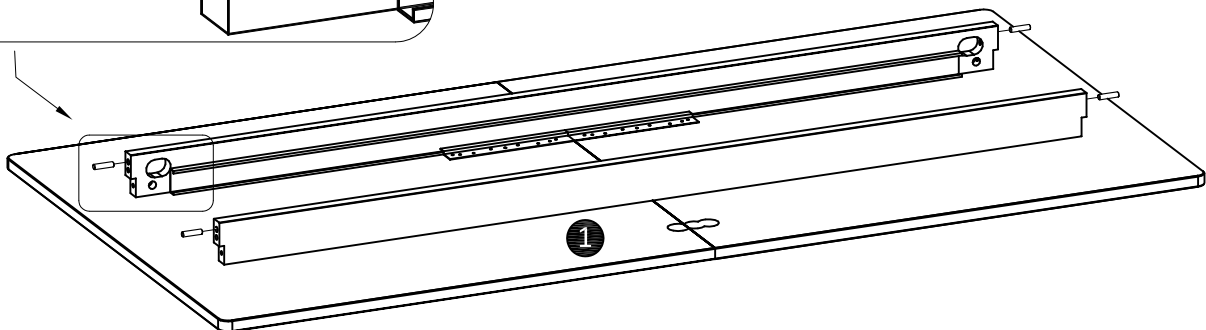
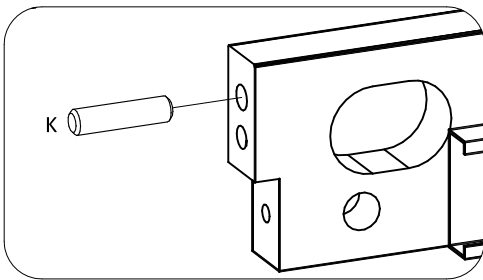


<p>A</p>  <p>27x14x6,5 mm X4</p>	<p>B</p>  <p>M8x80 mm X4</p>	<p>C</p>  <p>M8/12 mm X4</p>	<p>D</p>  <p>M8/Ø14 mm X4</p>	<p>E</p>  <p>Ø6,1/34 mm X4</p>	<p>F</p>  <p>Ø15x12 mm X4</p>
<p>G</p>  <p>M8 X4</p>	<p>H</p>  <p>12 mm X1</p>	<p>J</p>  <p>Ø15x2 mm X8</p>	<p>K</p>  <p>Ø10x40 mm X4</p>		

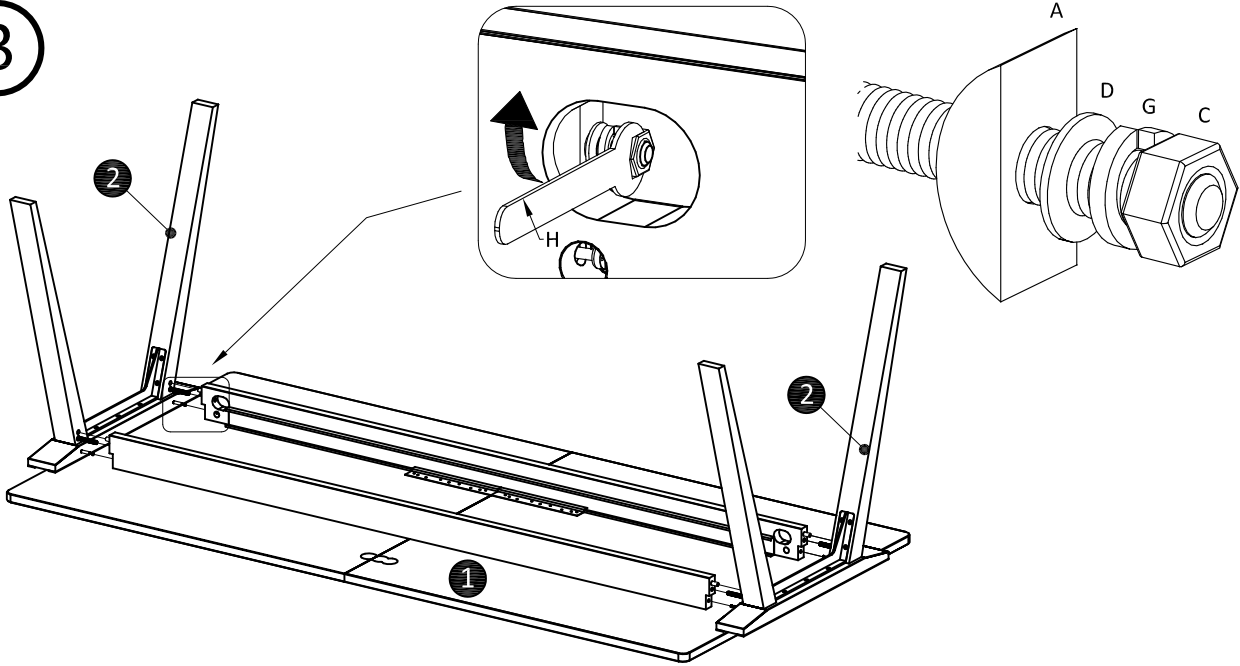
1

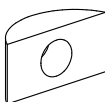
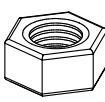
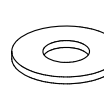
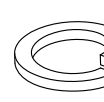
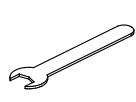


2

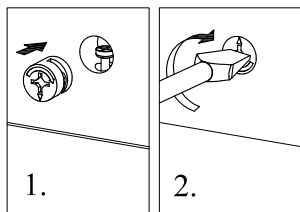
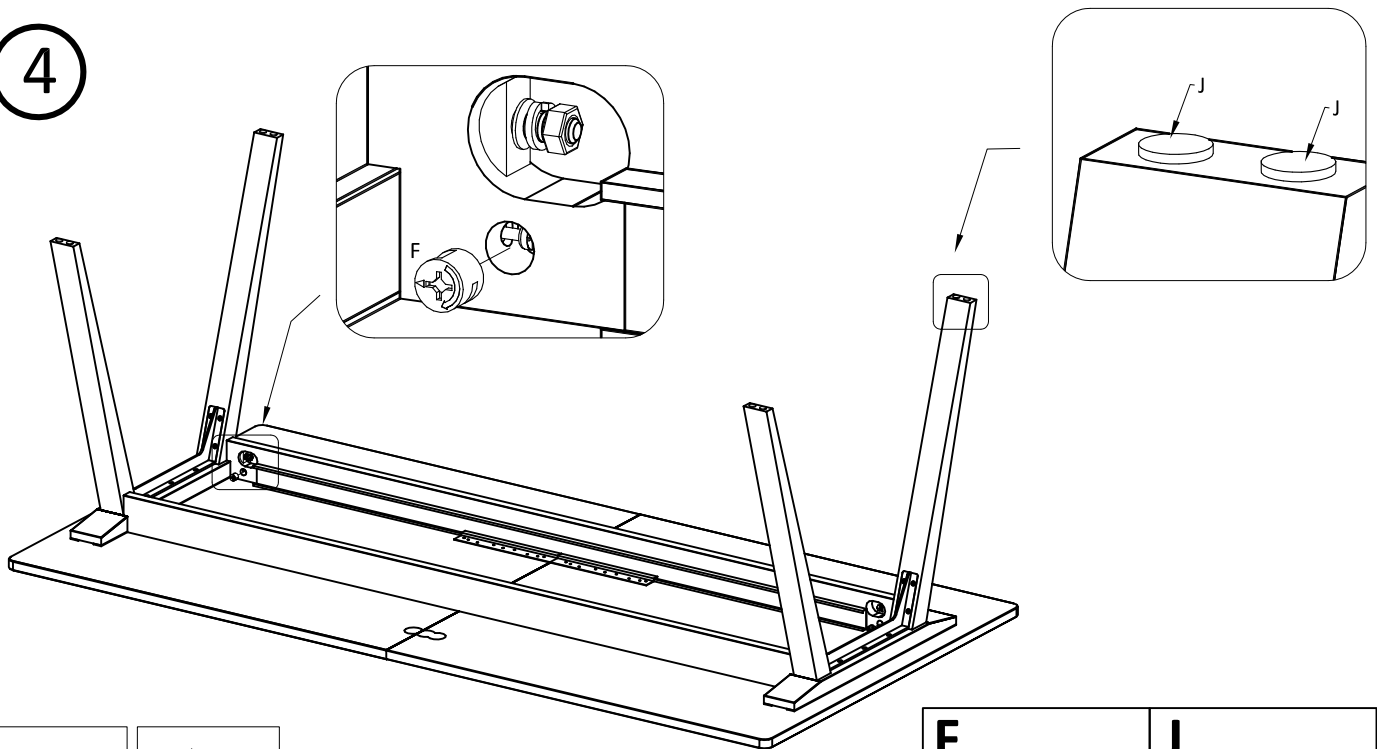


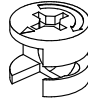

3



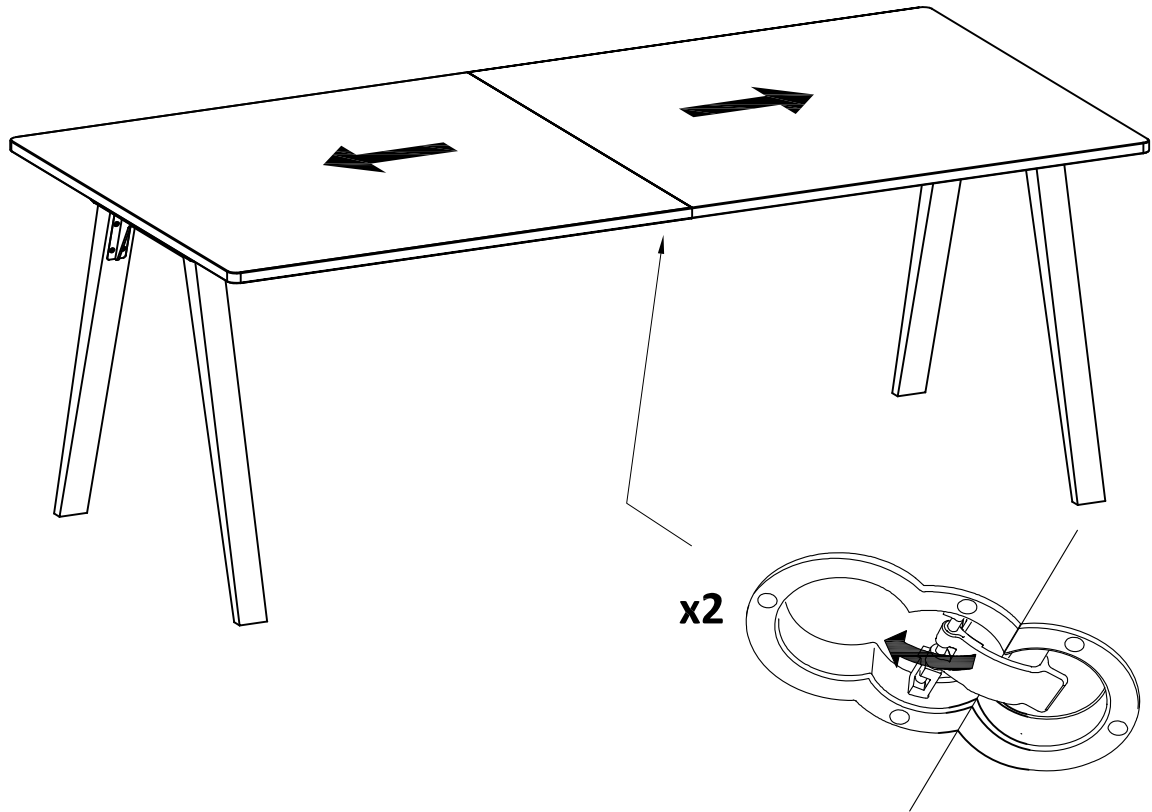
<p>A</p>  <p>27x14x6,5 mm X4</p>	<p>C</p>  <p>M8/12 mm X4</p>	<p>D</p>  <p>M8/Ø14 mm X4</p>	<p>G</p>  <p>M8 X4</p>	<p>H</p>  <p>12 mm X1</p>
--	--	---	--	---

4



<p>F</p>  <p>Ø15x12 mm X4</p>	<p>J</p>  <p>Ø15x2 mm X8</p>
---	--

5



6

