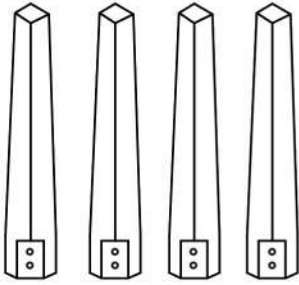
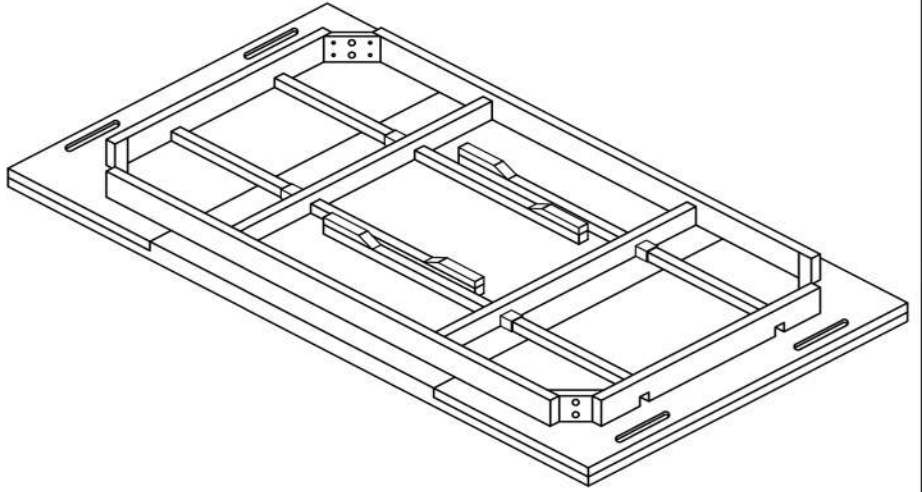


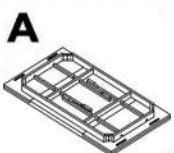
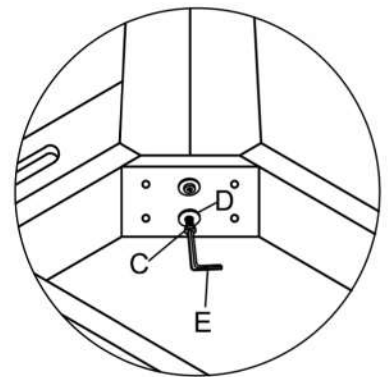
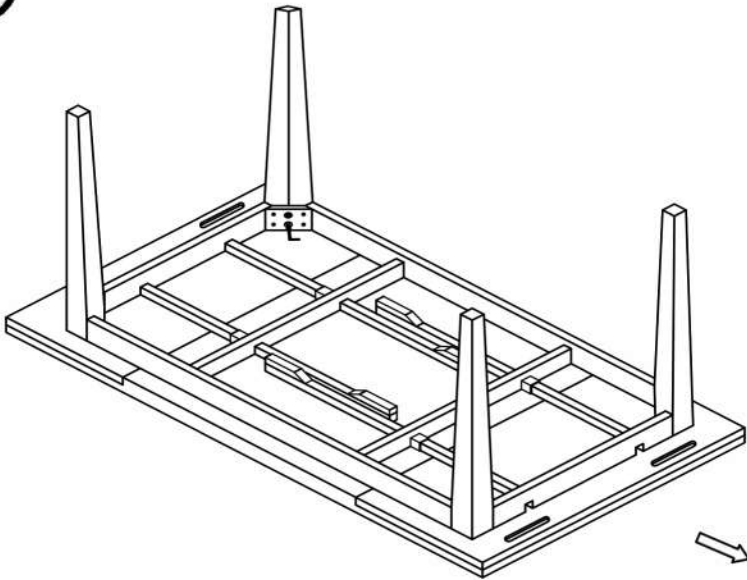
①



1 2 3 4

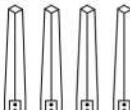


②



x1

B



x4

C



Ø6X25 MM

x8+2

D



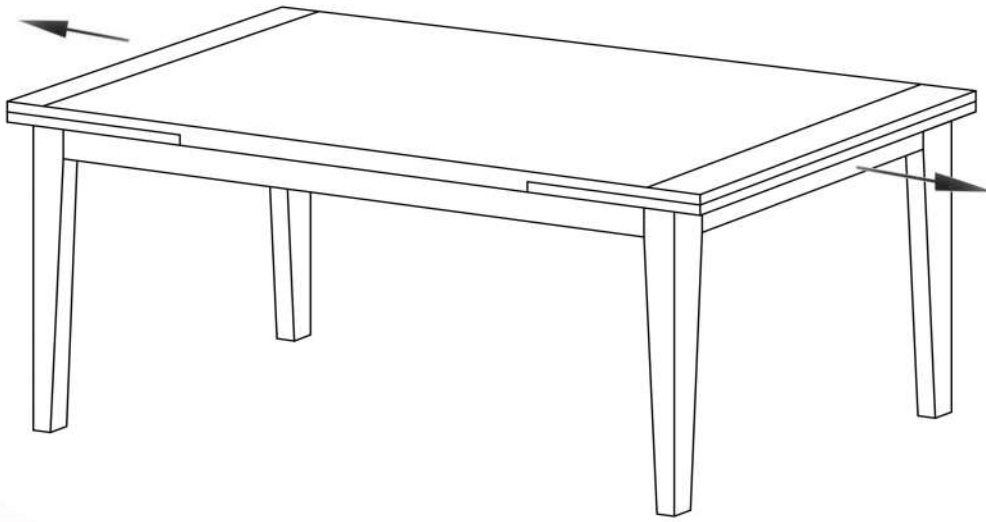
x8+2

E



x1

③



④

