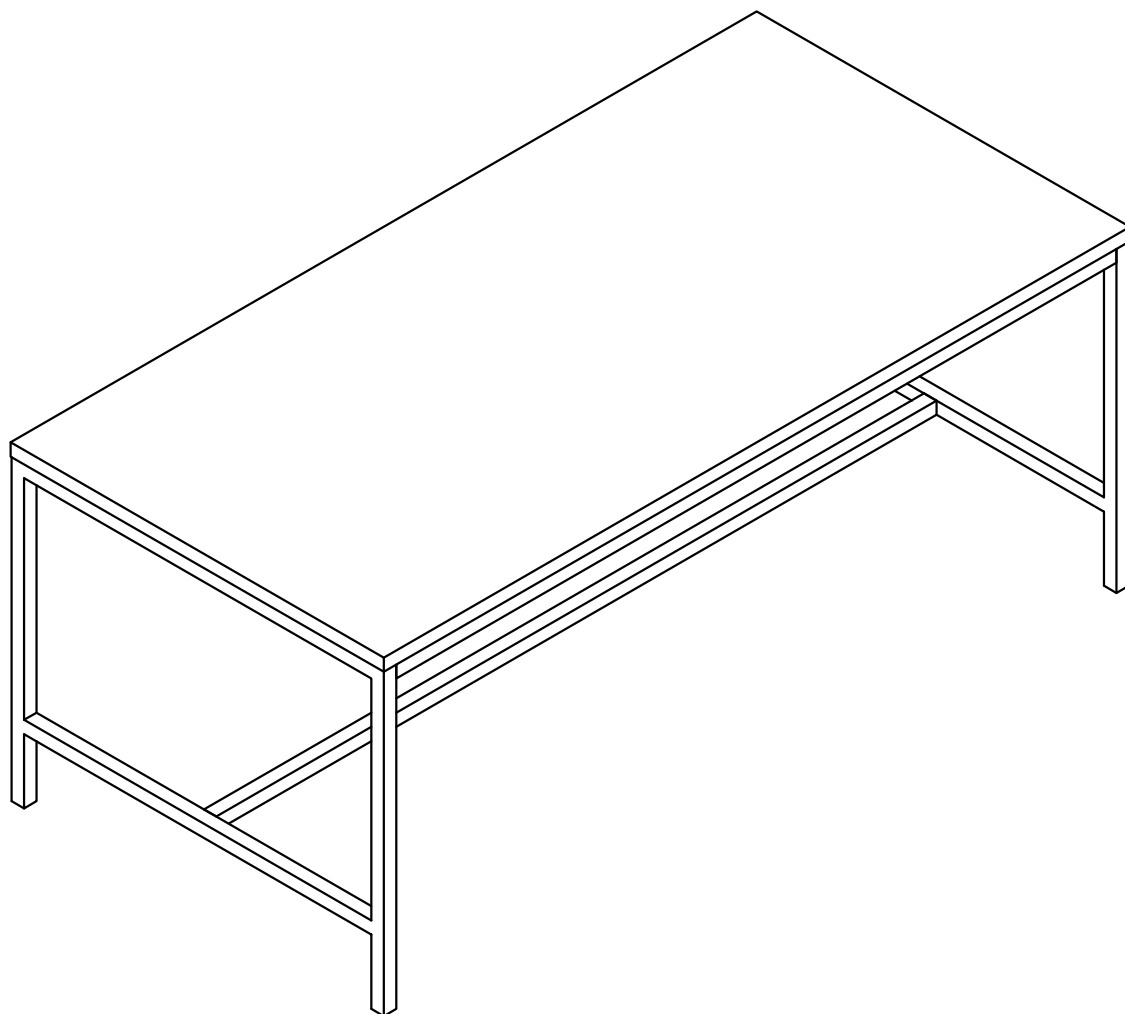


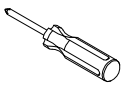
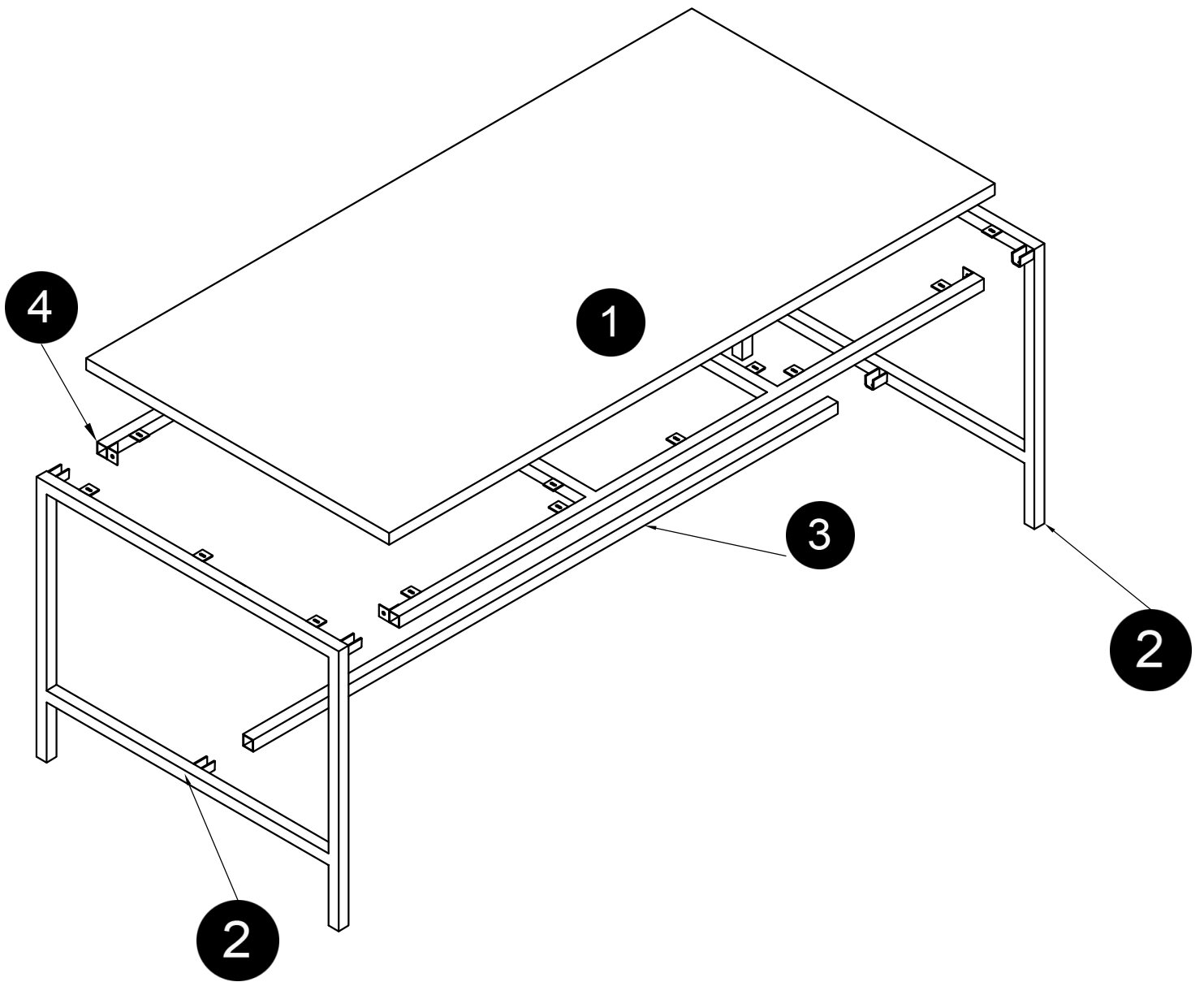






Long island

121638



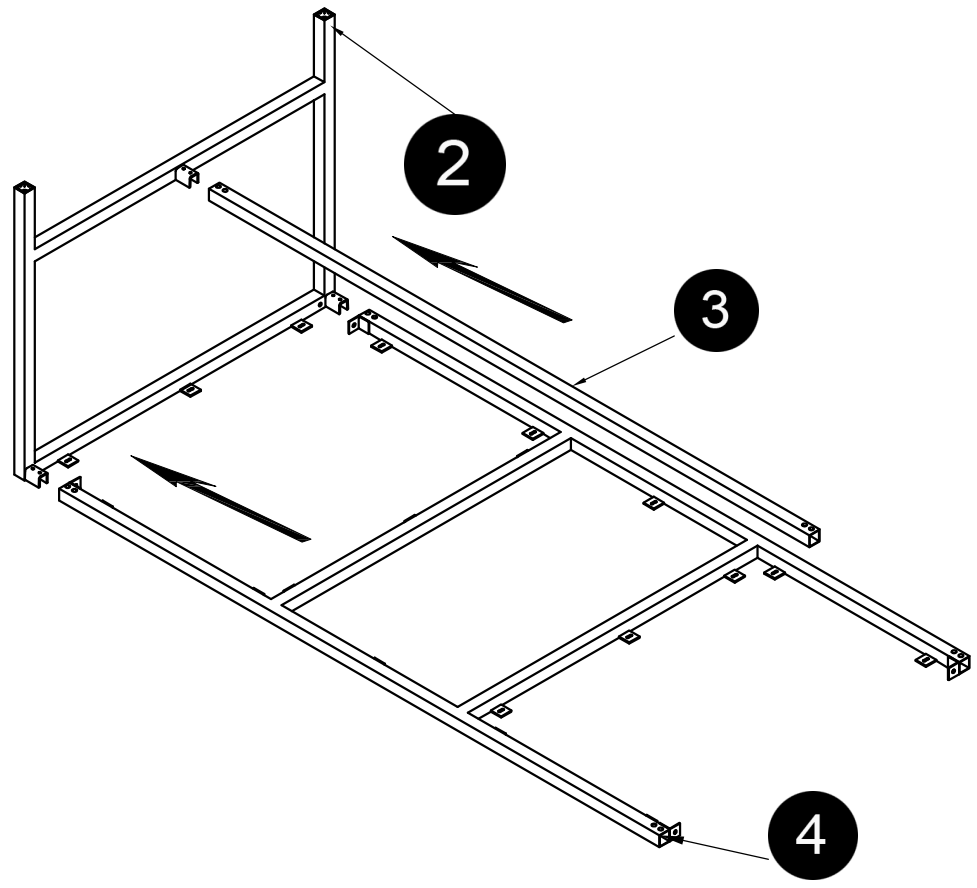
 20 MIN		
---	---	---



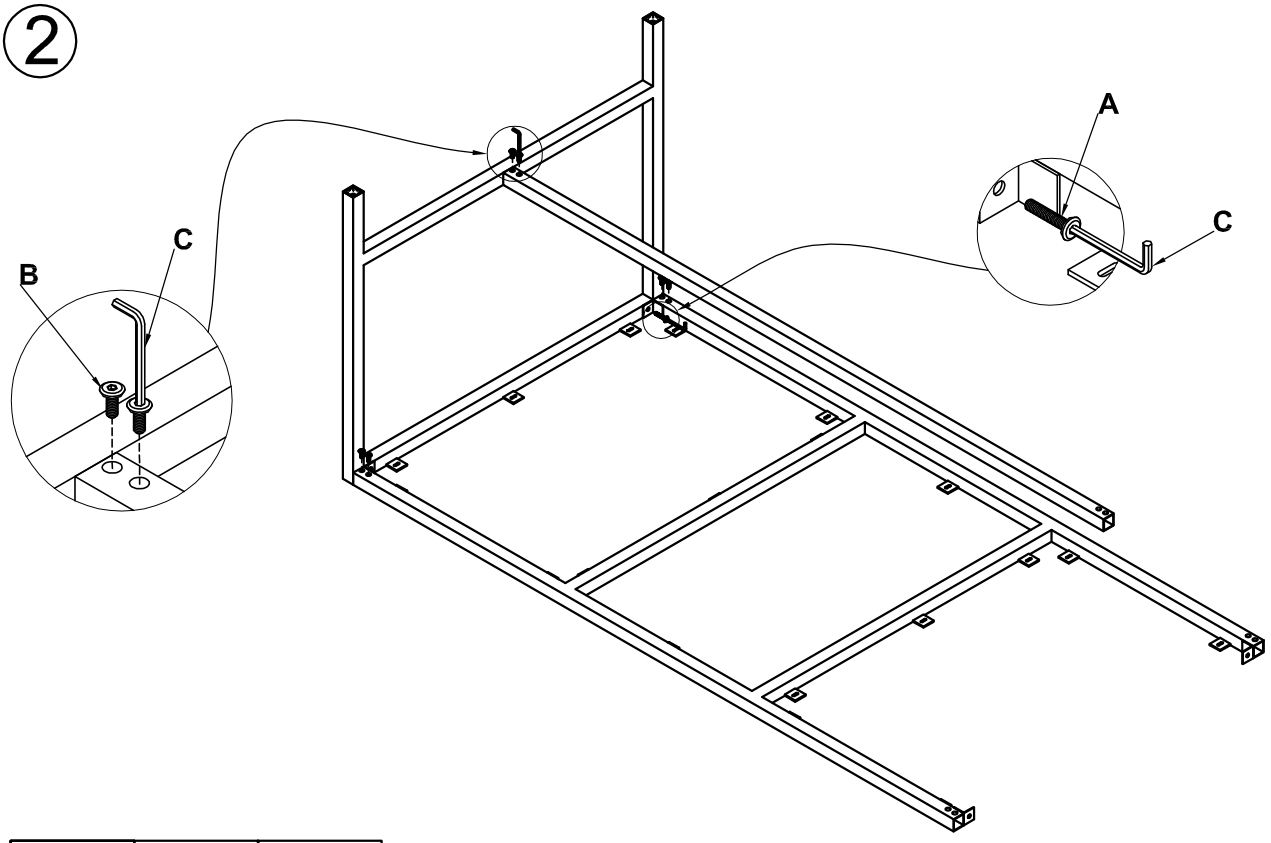
A Ø6*25mm	B Ø6*15mm	C M4	D F 3.5*25
			
X4	X12	X1	X22



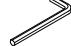
V1 - 002211

1



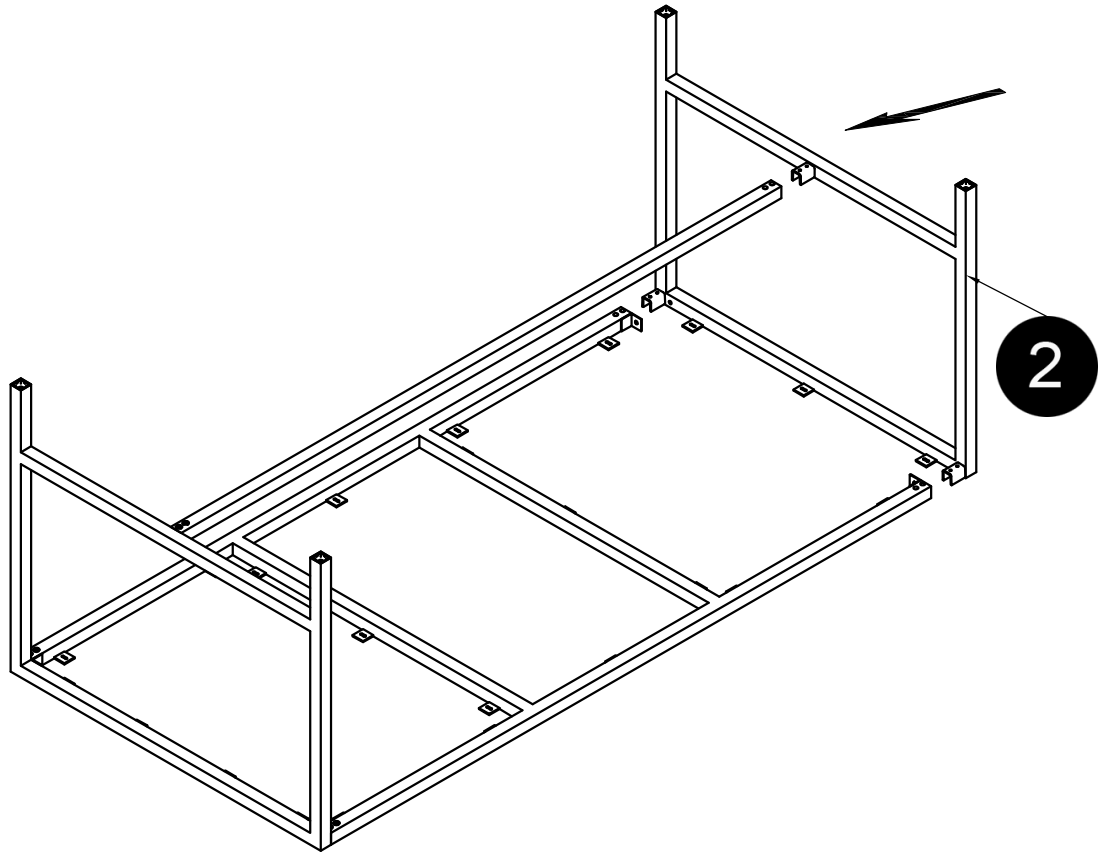
2



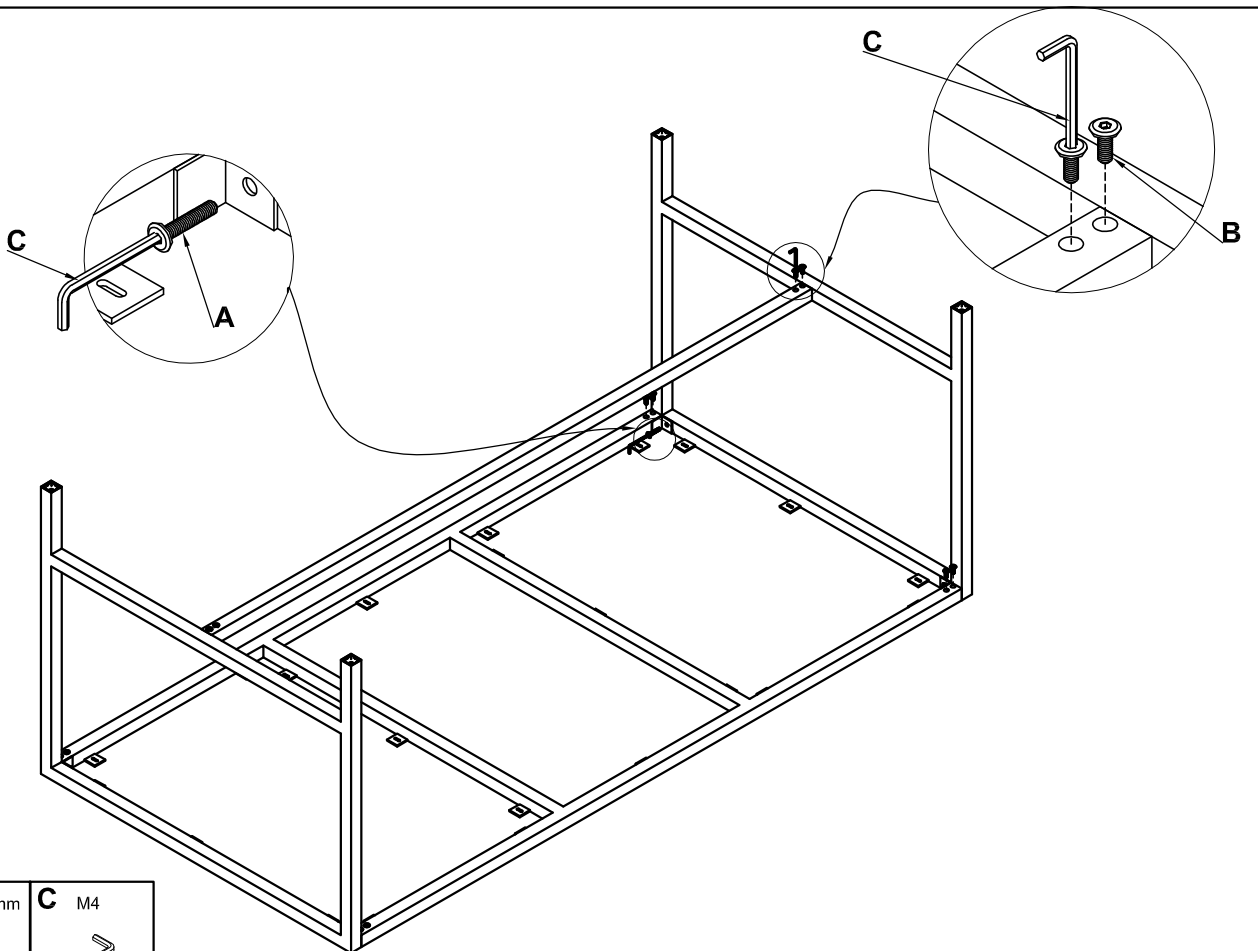
A	B	C
$\varnothing 6 \times 25 \text{mm}$	$\varnothing 6 \times 15 \text{mm}$	M4
		
X2	X6	X1



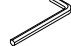
V1 - 002211

3



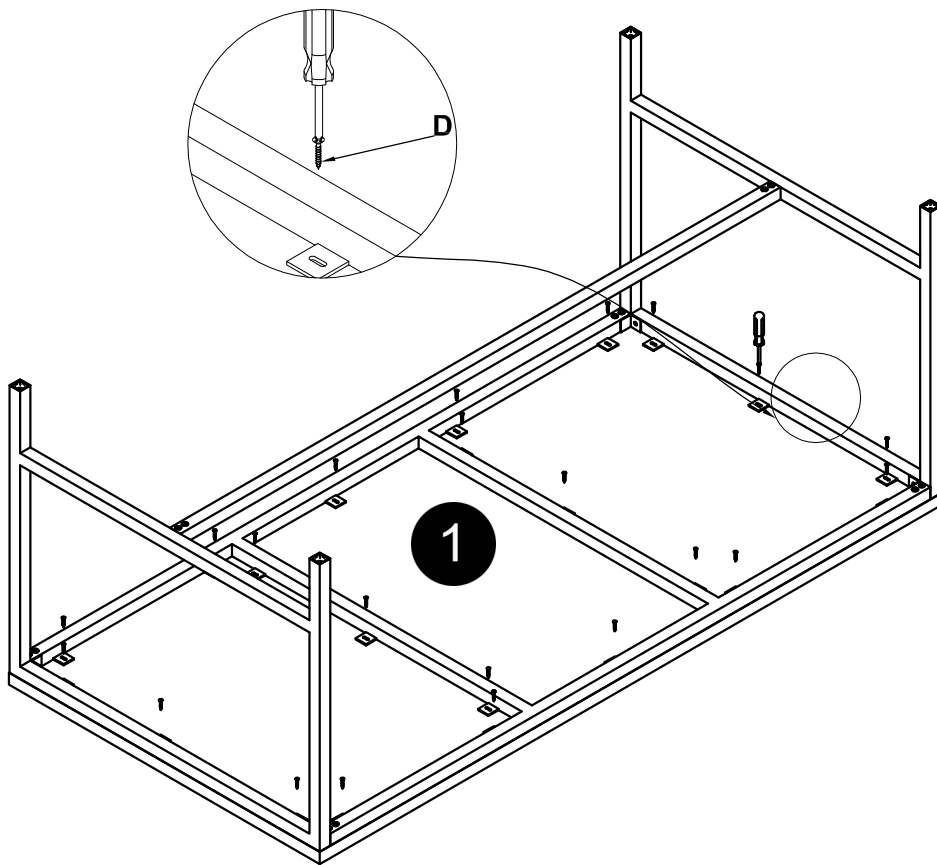
4



A	B	C
		
X2	X6	X1

V1 - 002211

5

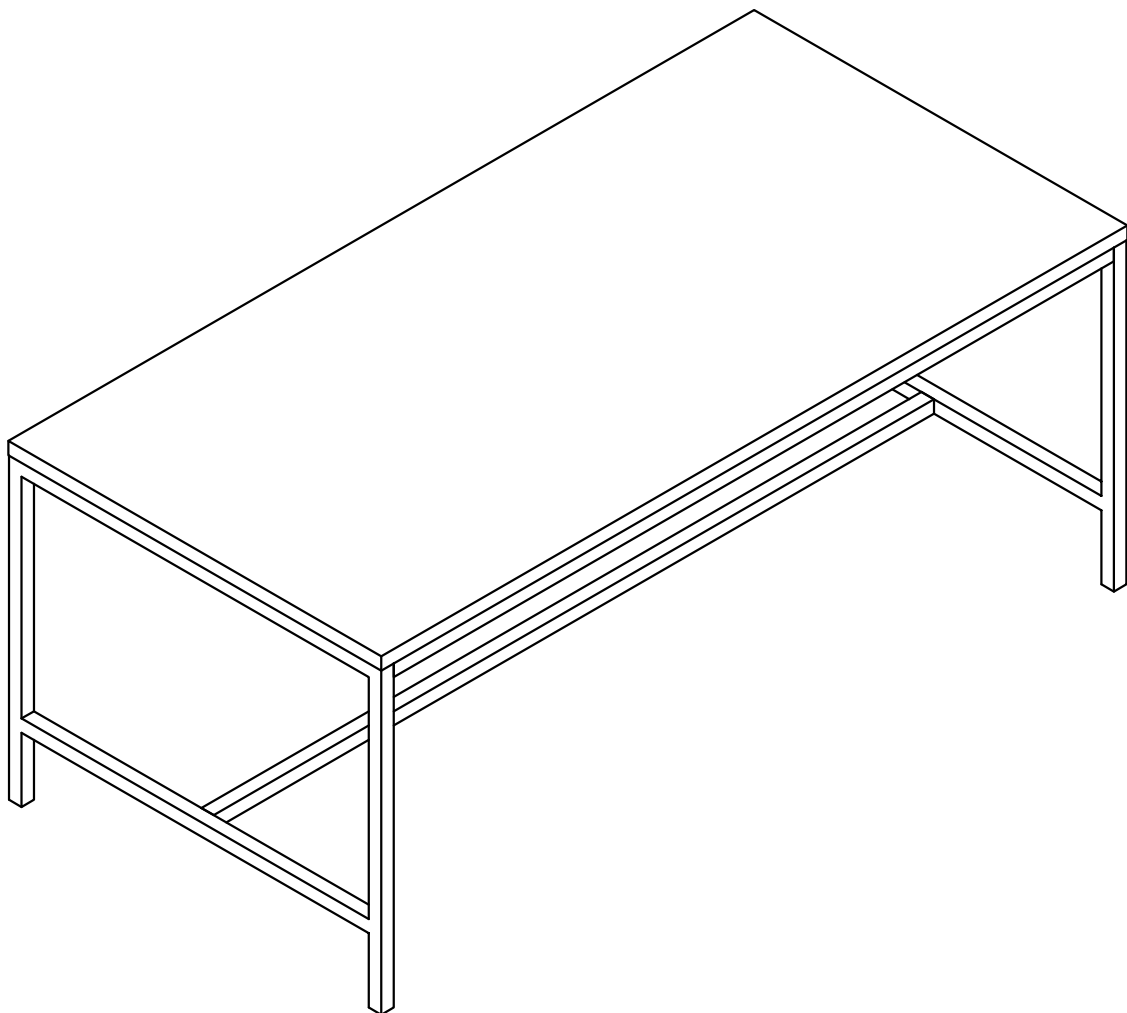


D F 3.5*25



X22

6



7

