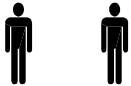
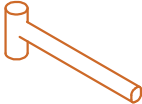
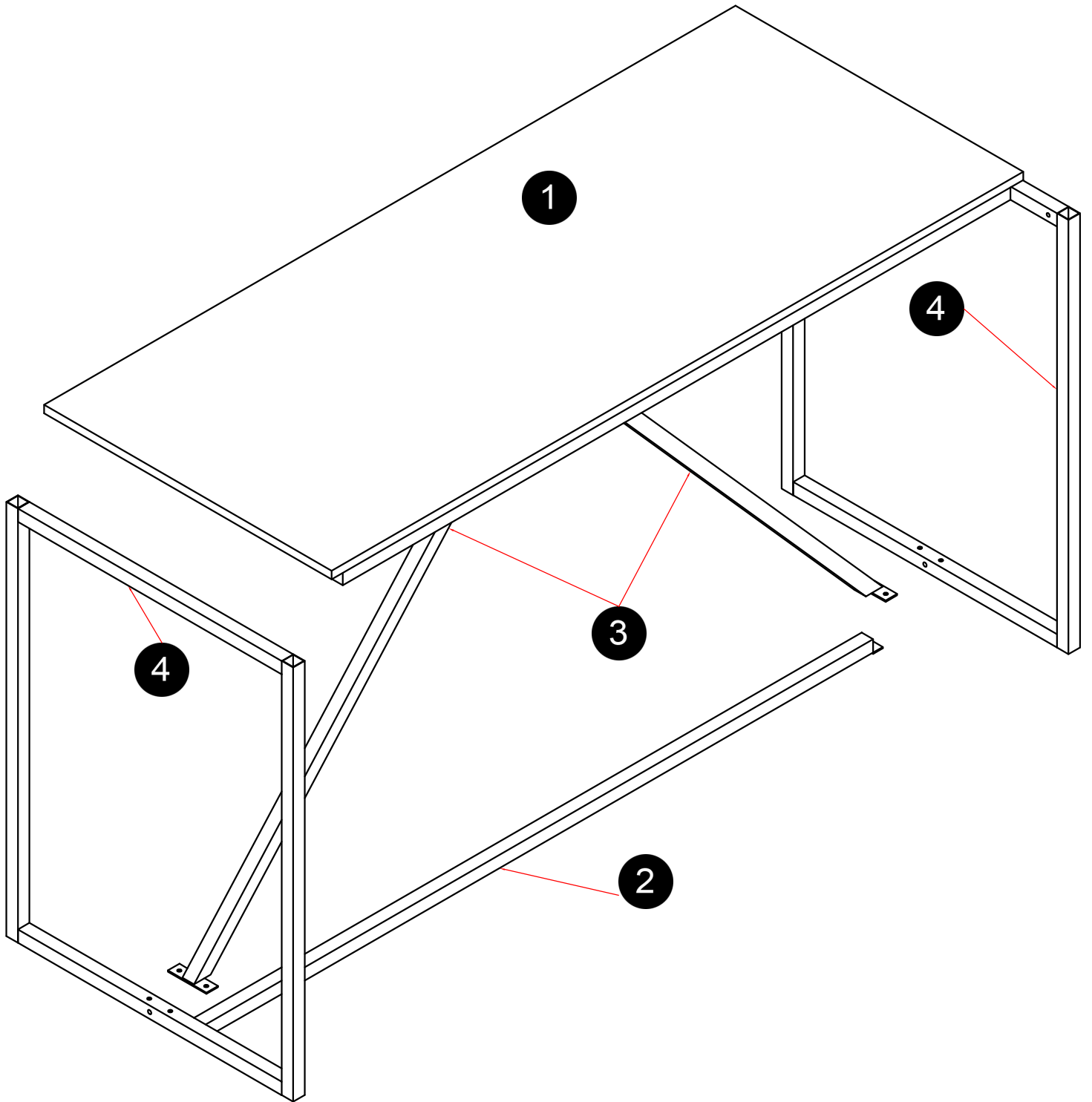



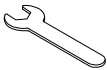


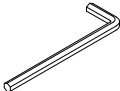
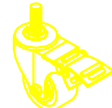




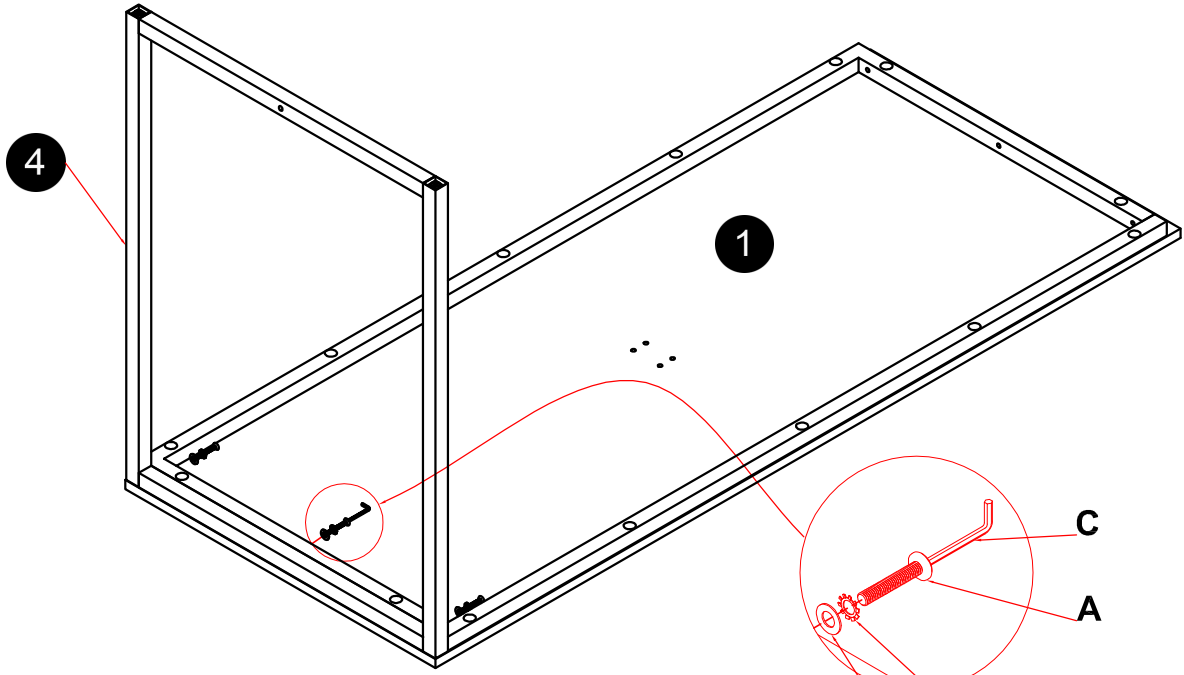

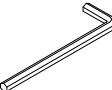
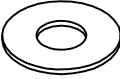

 20 MIN		
--	---	---



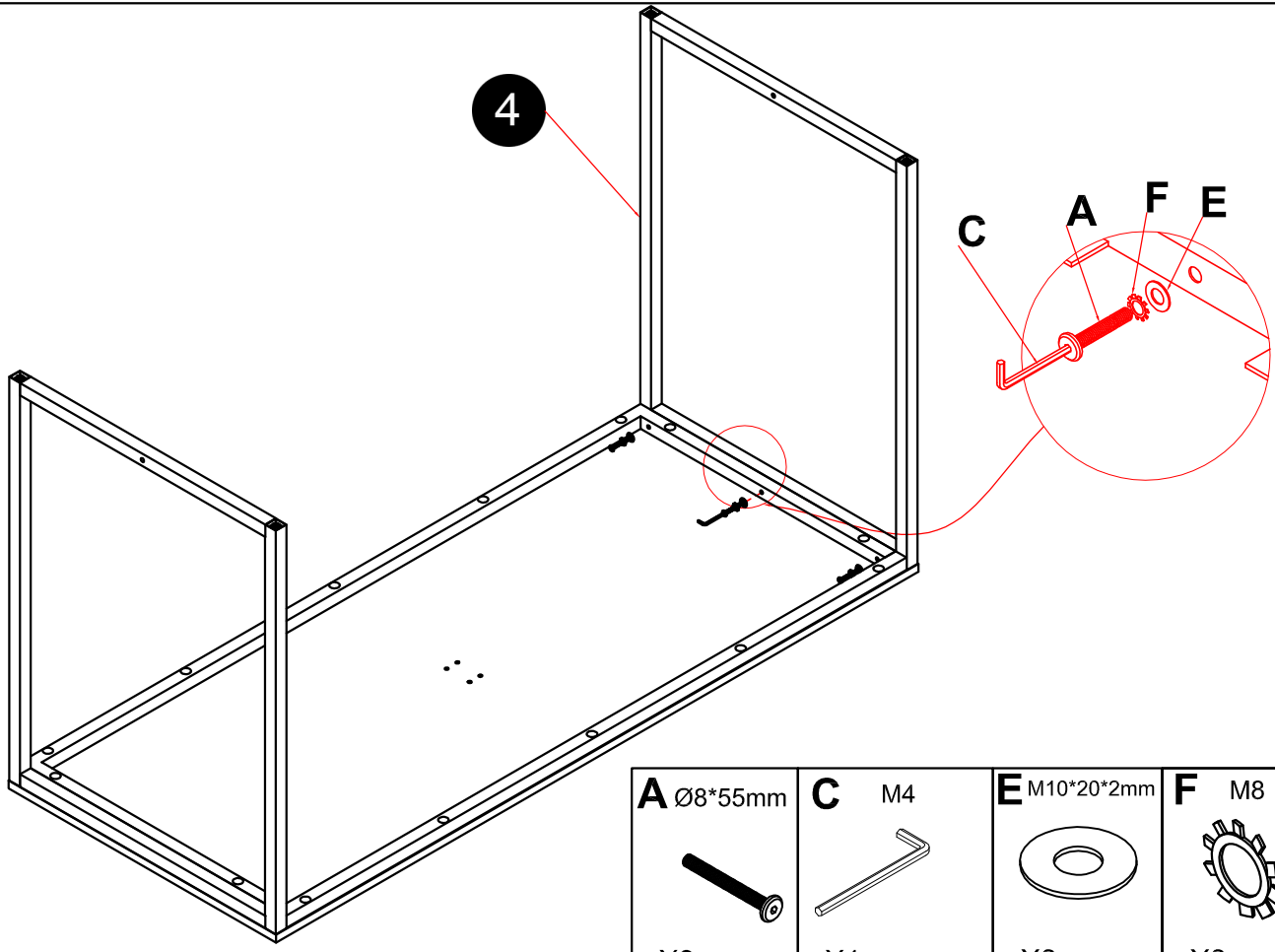
I  X4	K  X4	L Ø8*70mm  X4	M  X1				
A Ø8*55mm  X6	B Ø6*15mm  X4	C M4  X1	D  X4	E M10*20*2mm  X12	F M8  X8	G Ø8*15mm  X4	H Ø8*40mm  X2


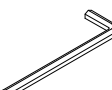


1

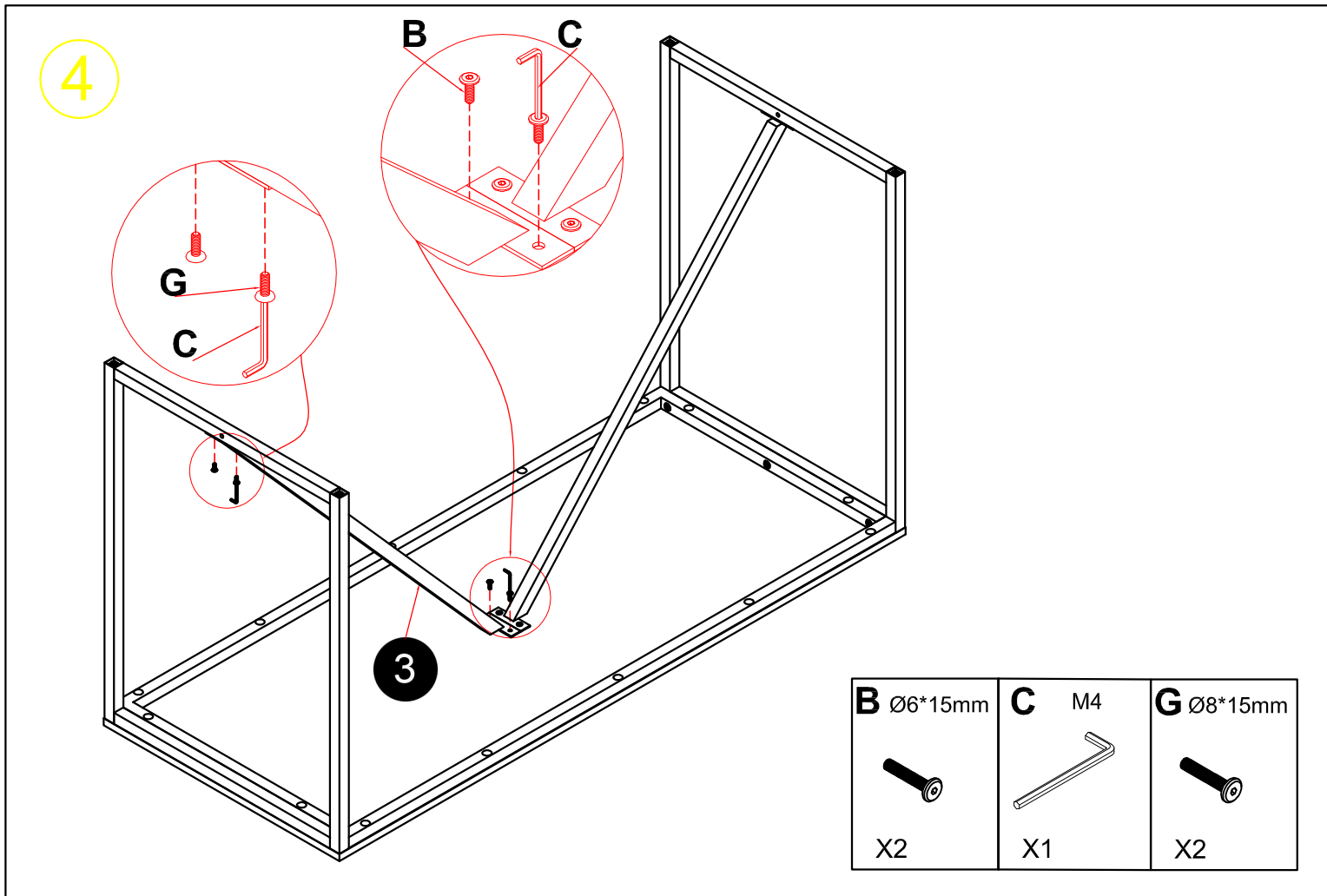
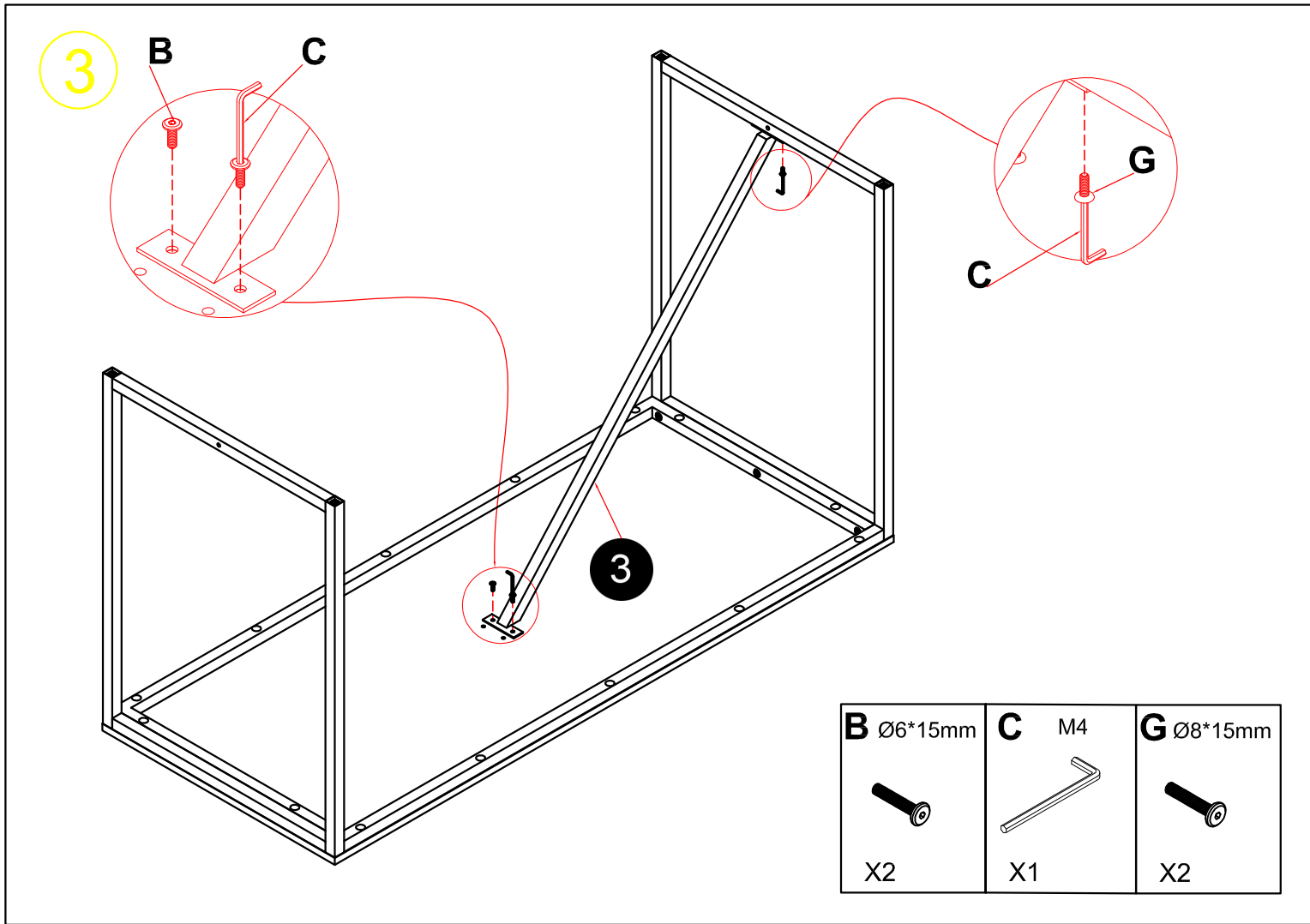


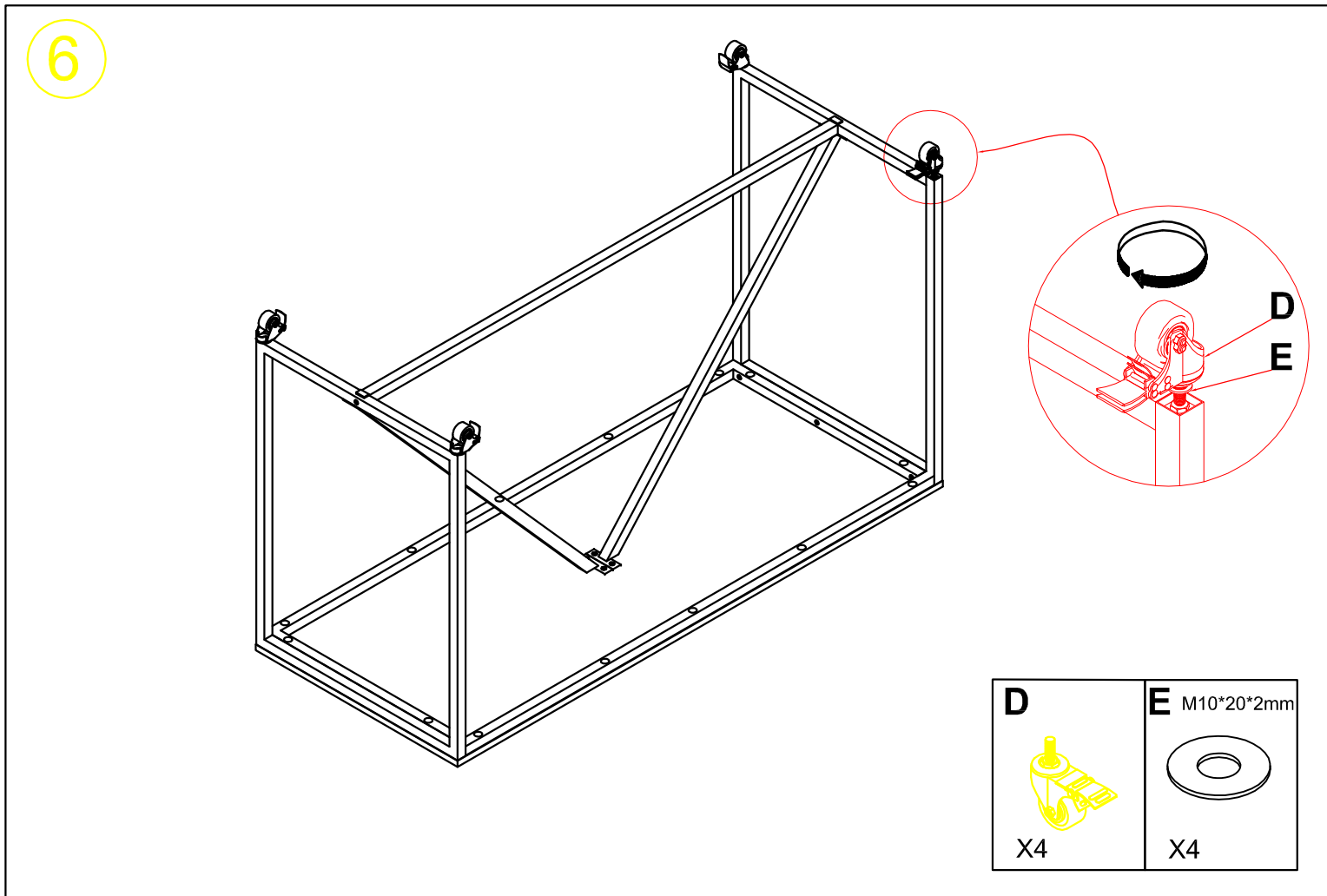
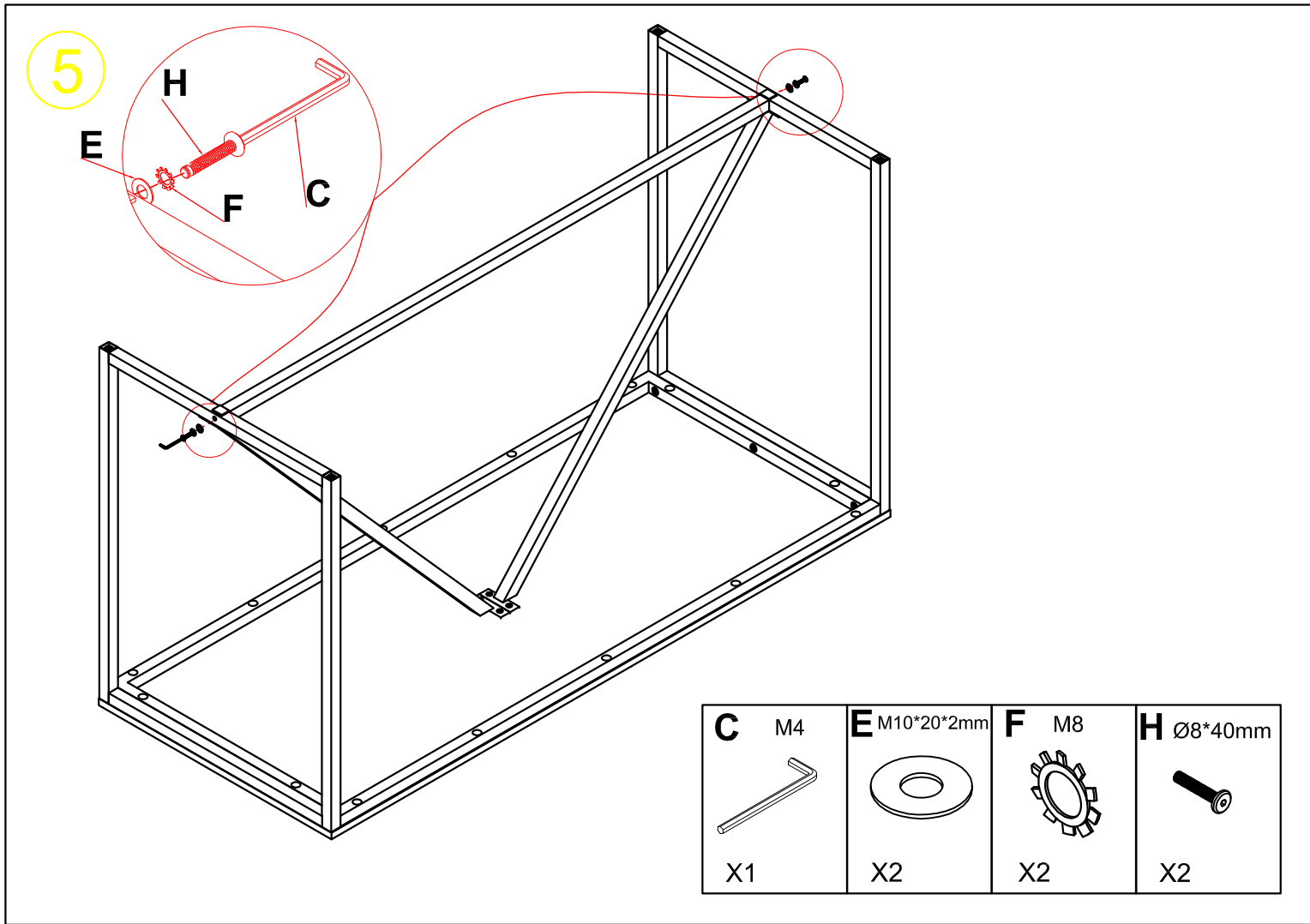
A Ø8*55mm	C M4	E M10*20*2mm	F M8
			
X3	X1	X3	X3

2

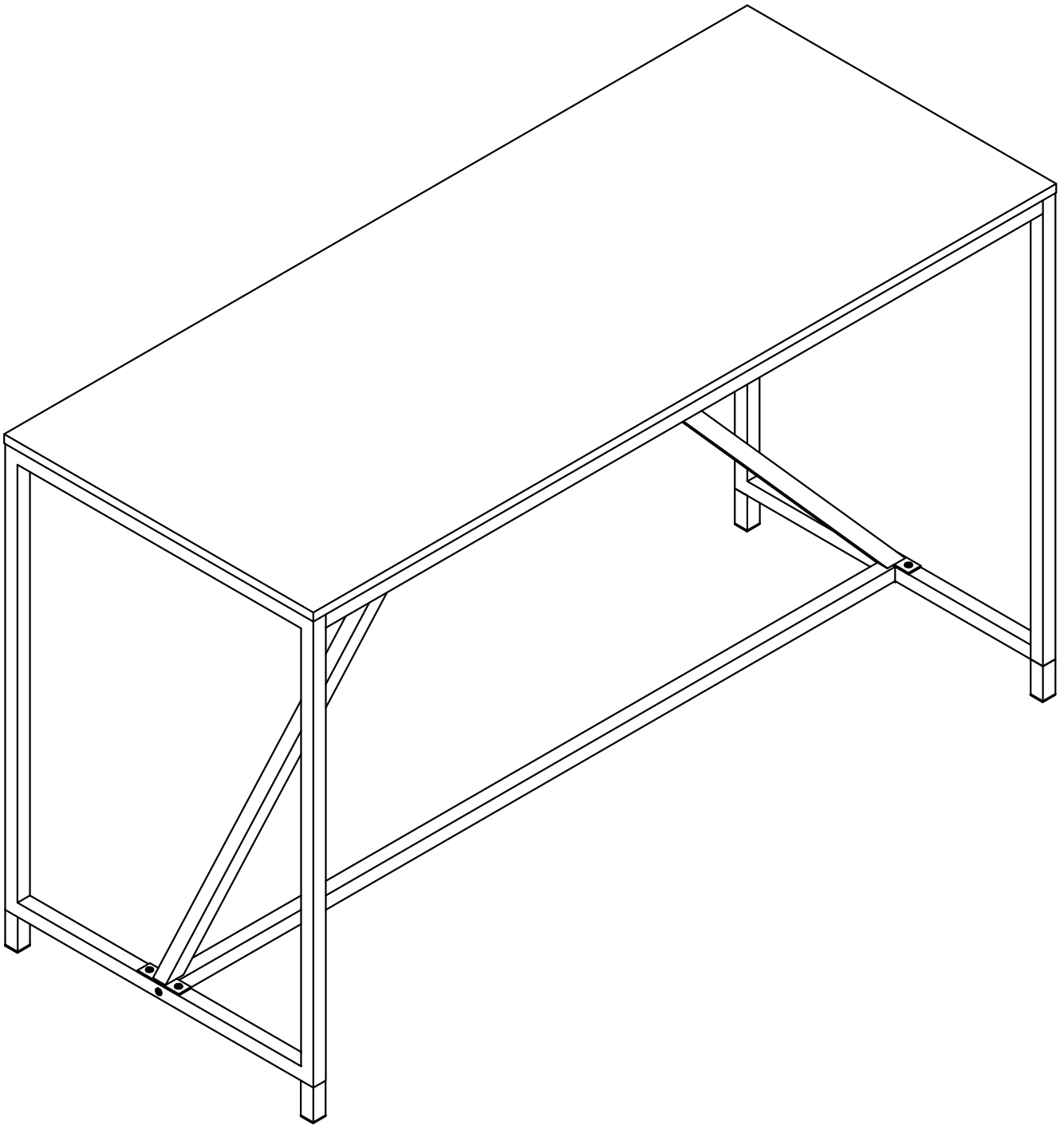


A Ø8*55mm	C M4	E M10*20*2mm	F M8
			
X3	X1	X3	X3

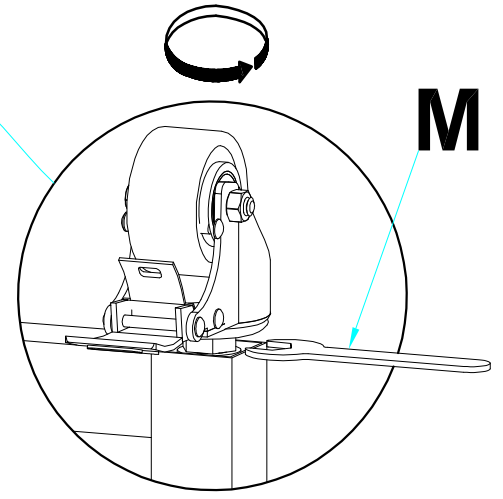
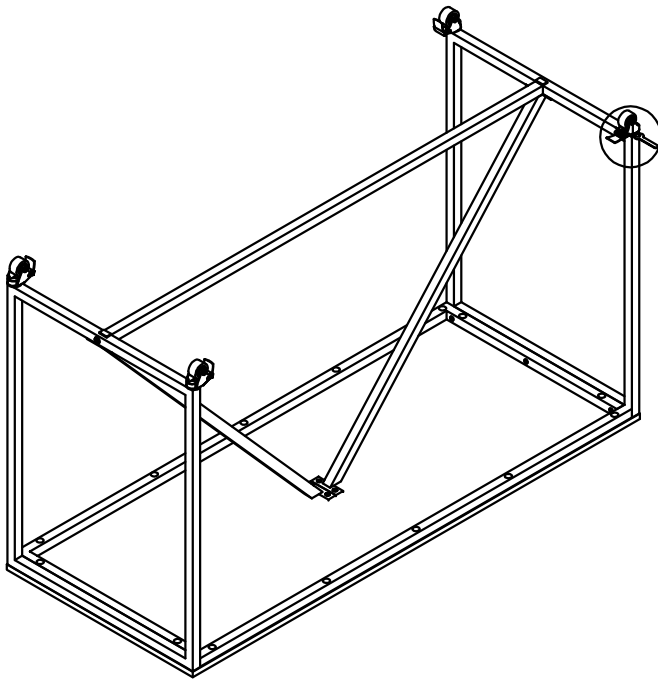




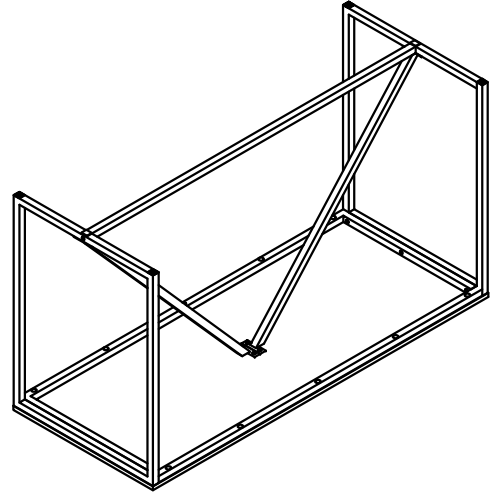
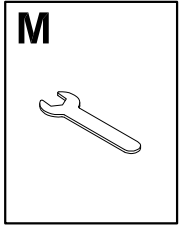
7



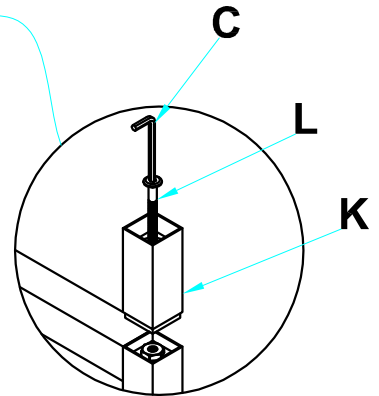
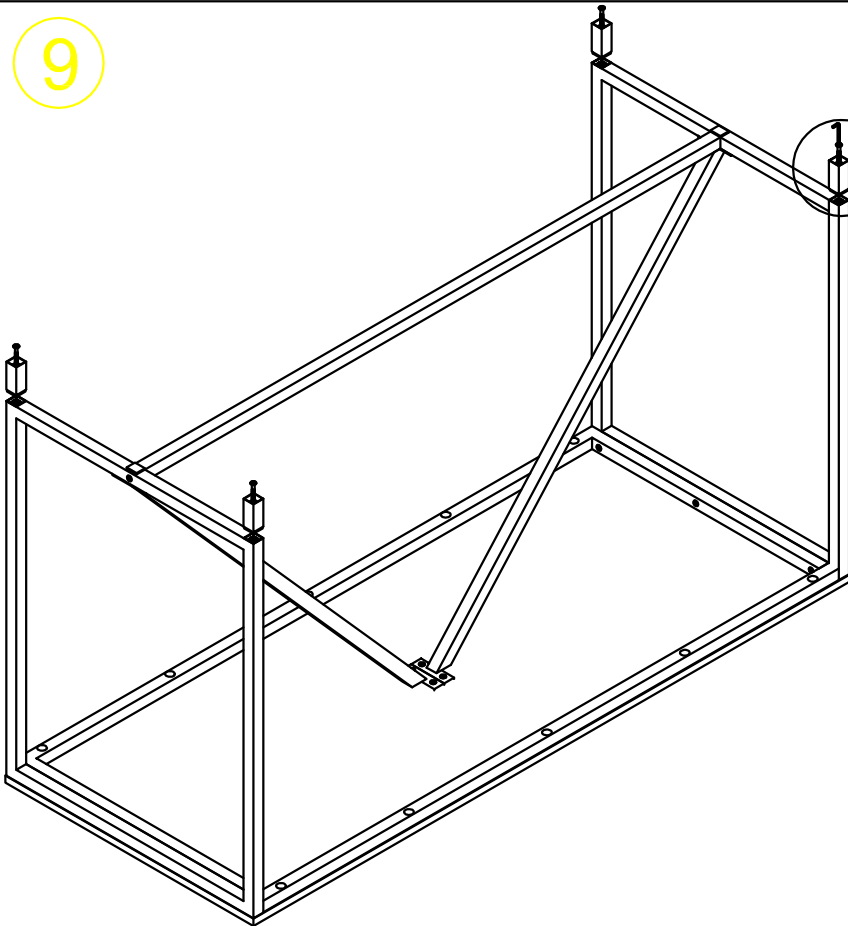
8



M



9



C M4	K	L Ø8*70mm
X1	X4	X4

10

