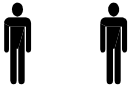
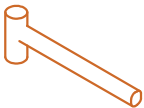
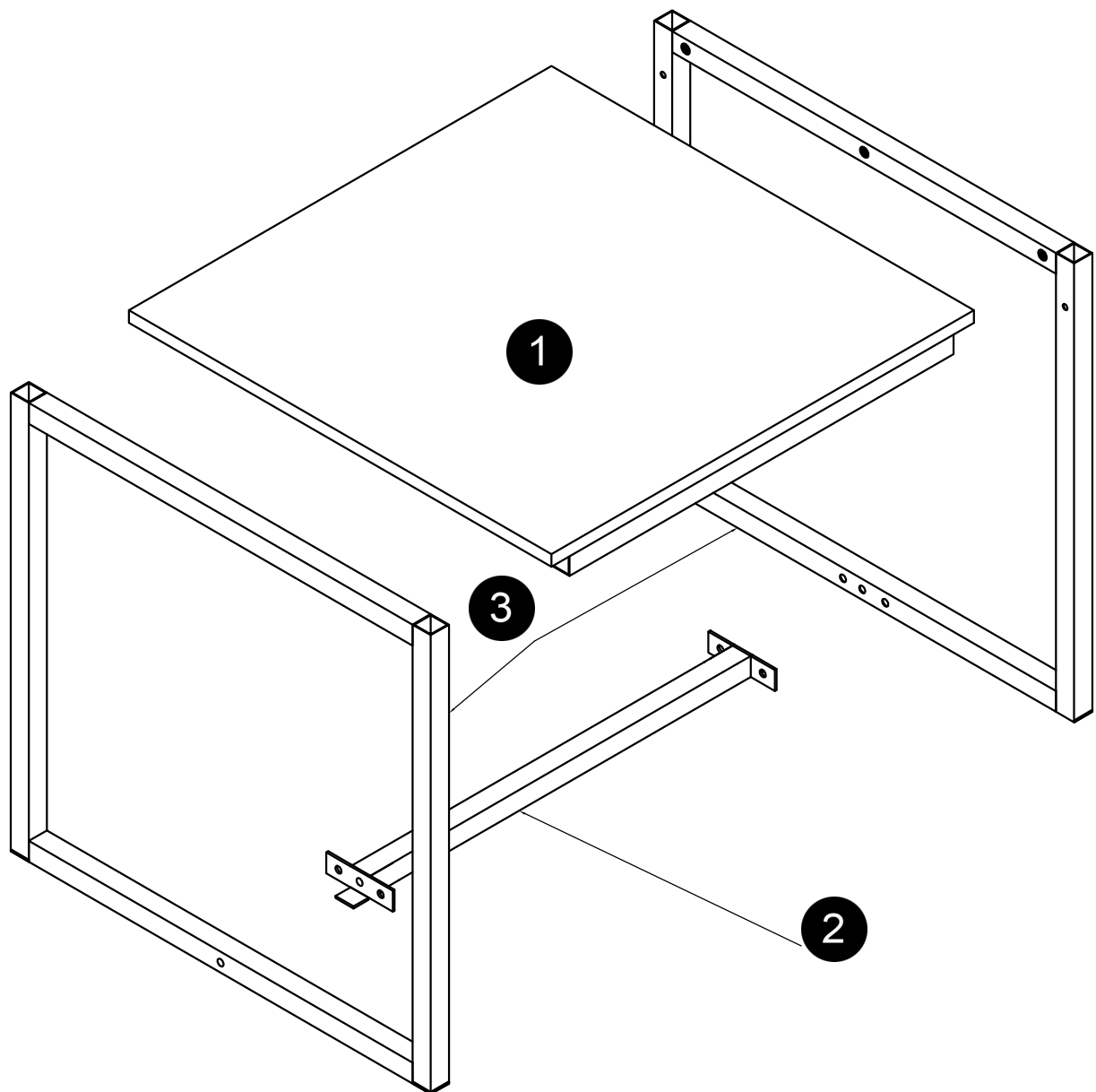
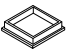


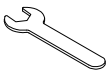




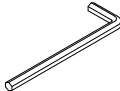
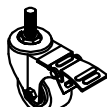


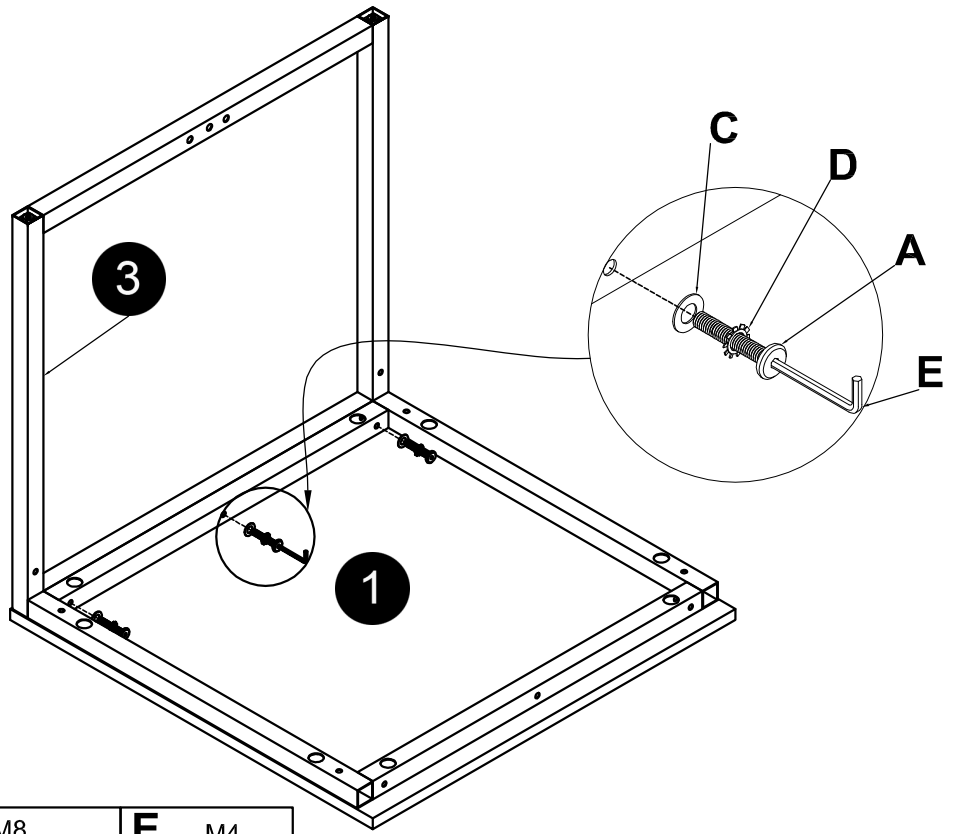

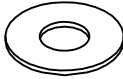

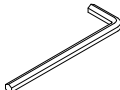
 20 MIN		
--	---	---



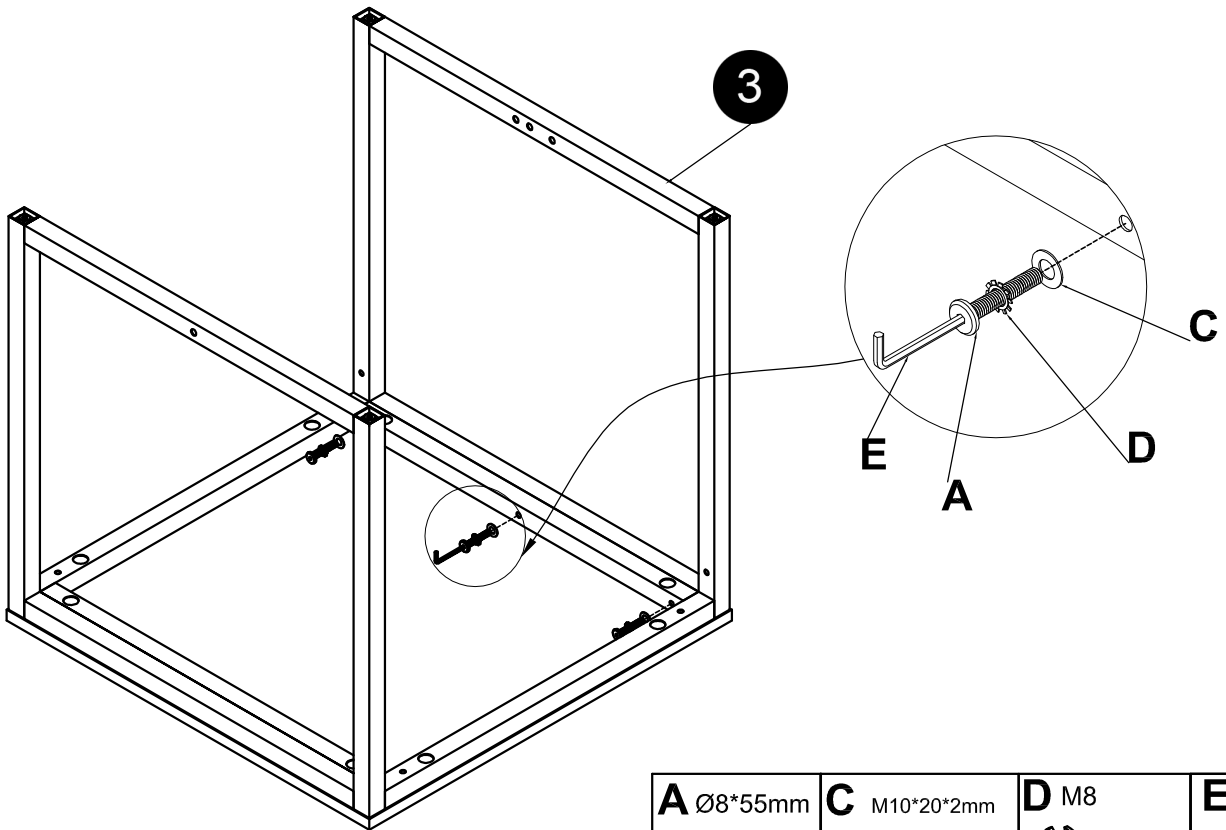
I  X4	K  X4	L Ø8*70mm  X4	M M14  X1				
A Ø8*55mm  X6	B Ø8*40mm  X2	C M10*20*2mm  X8	D M8  X8	E M4  X1	F  X4	G Ø8*15mm  X12	H  X4




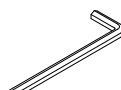
1

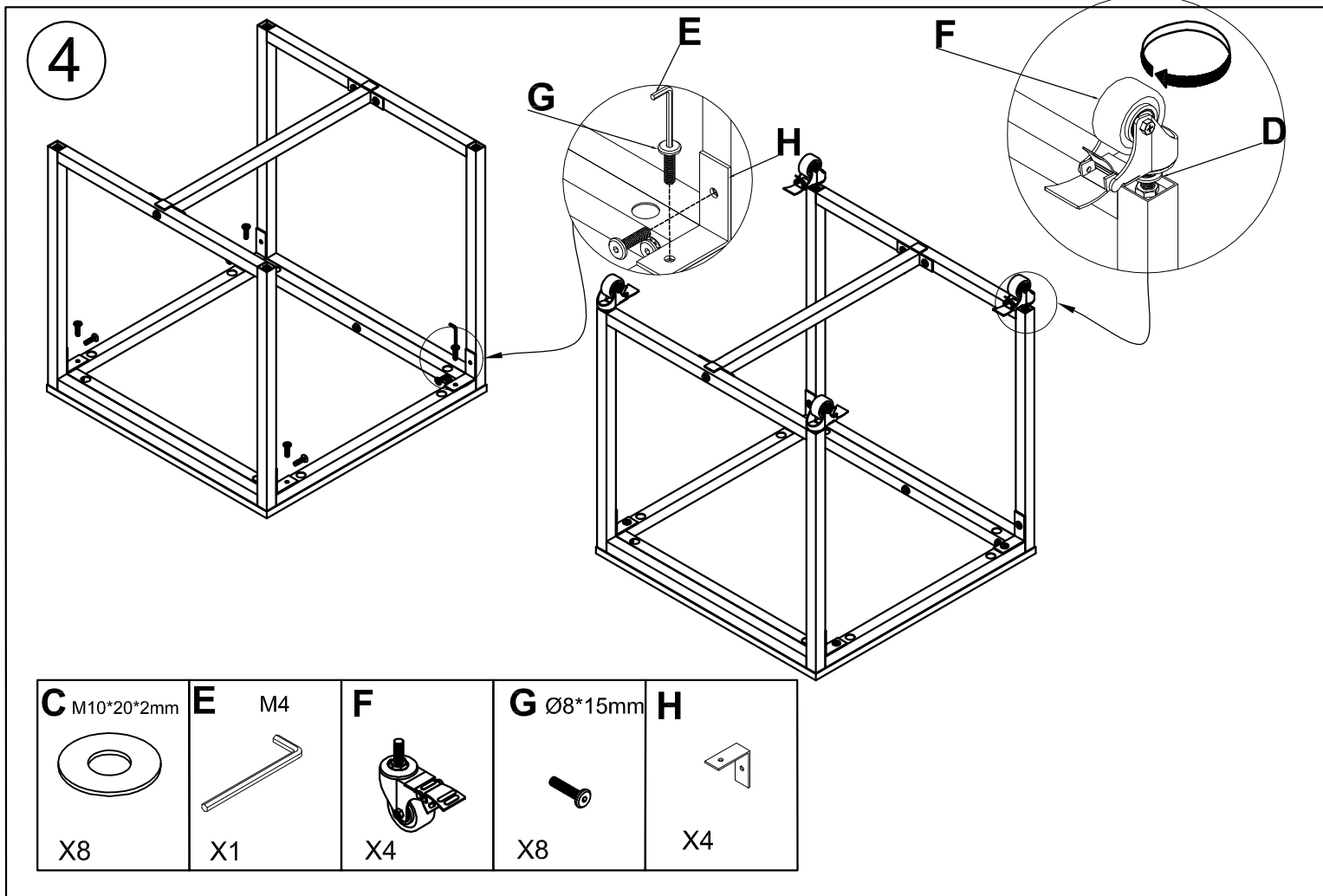
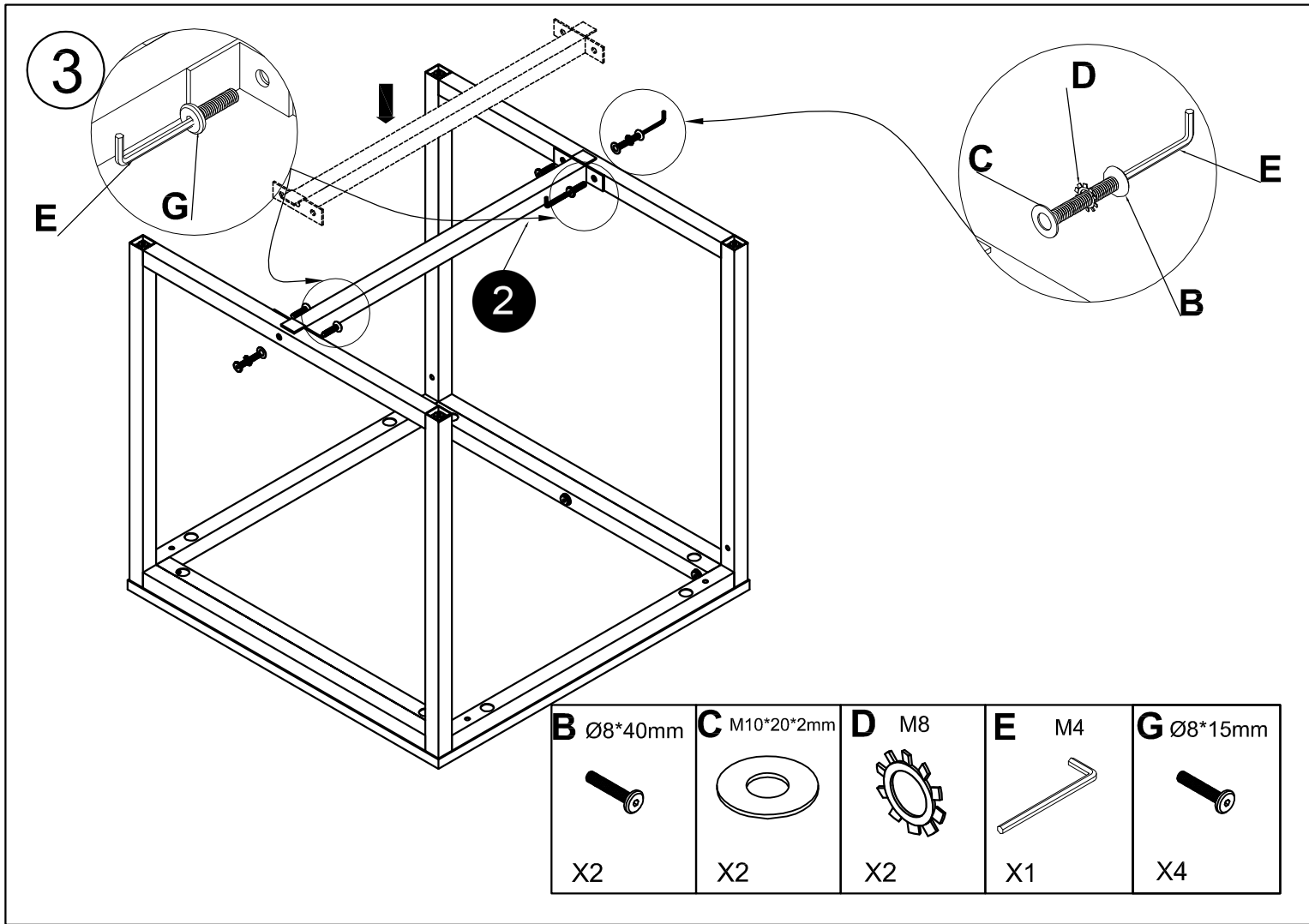


A Ø8*55mm	C M10*20*2mm	D M8	E M4
			
X3	X3	X3	X1

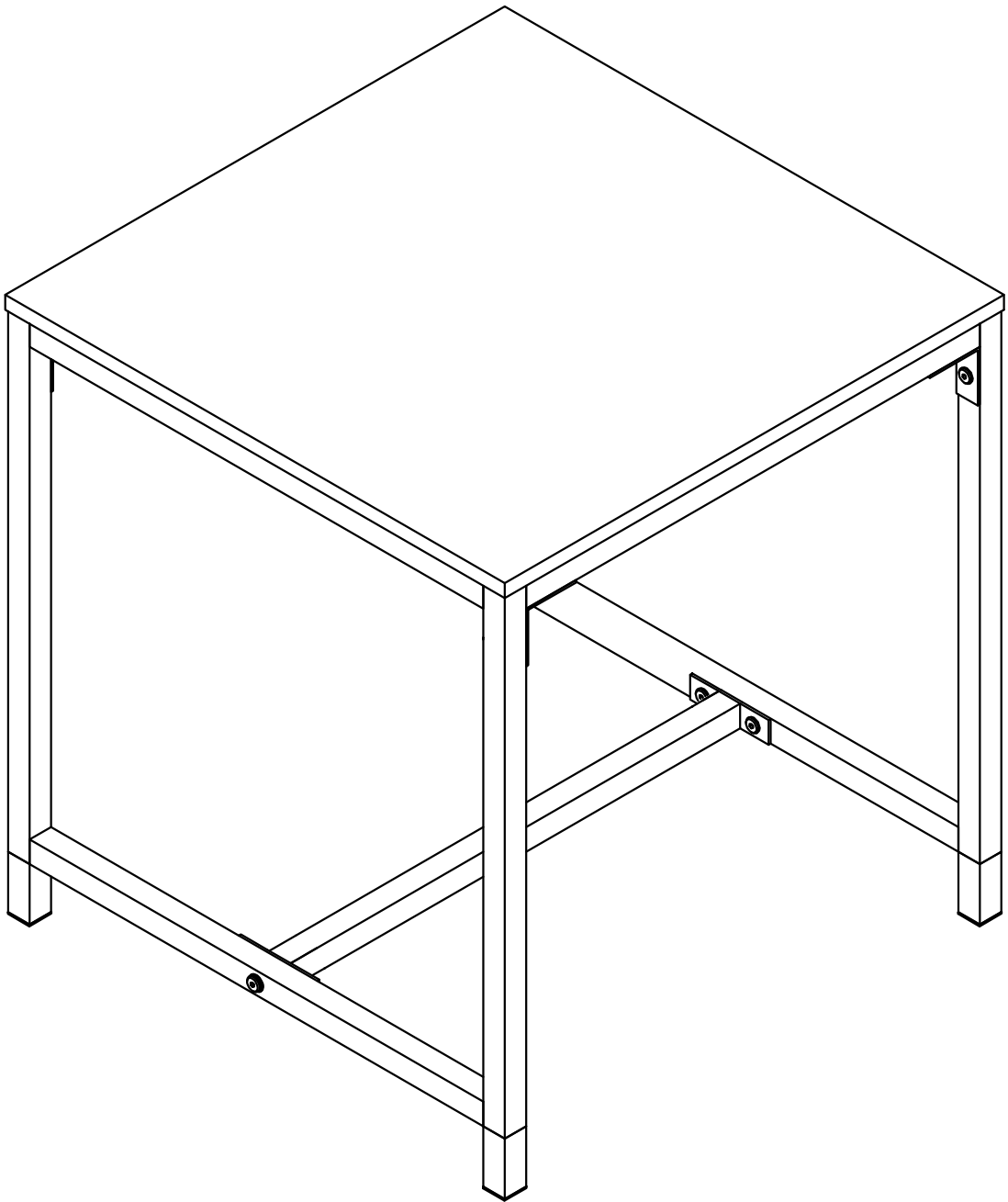
2



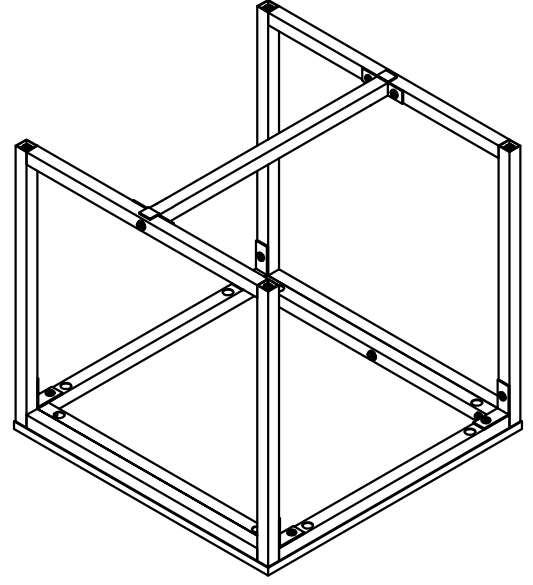
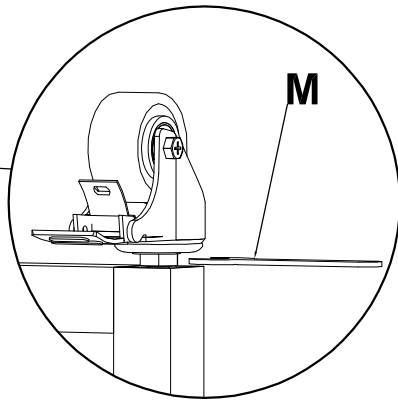
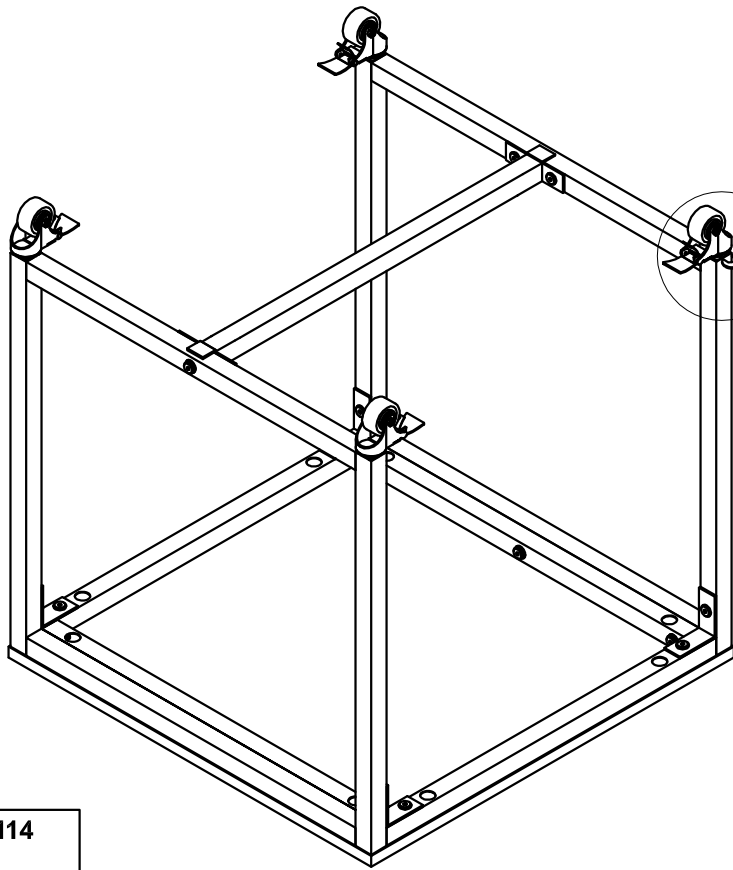
A Ø8*55mm	C M10*20*2mm	D M8	E M4
			
X3	X3	X3	X1



5



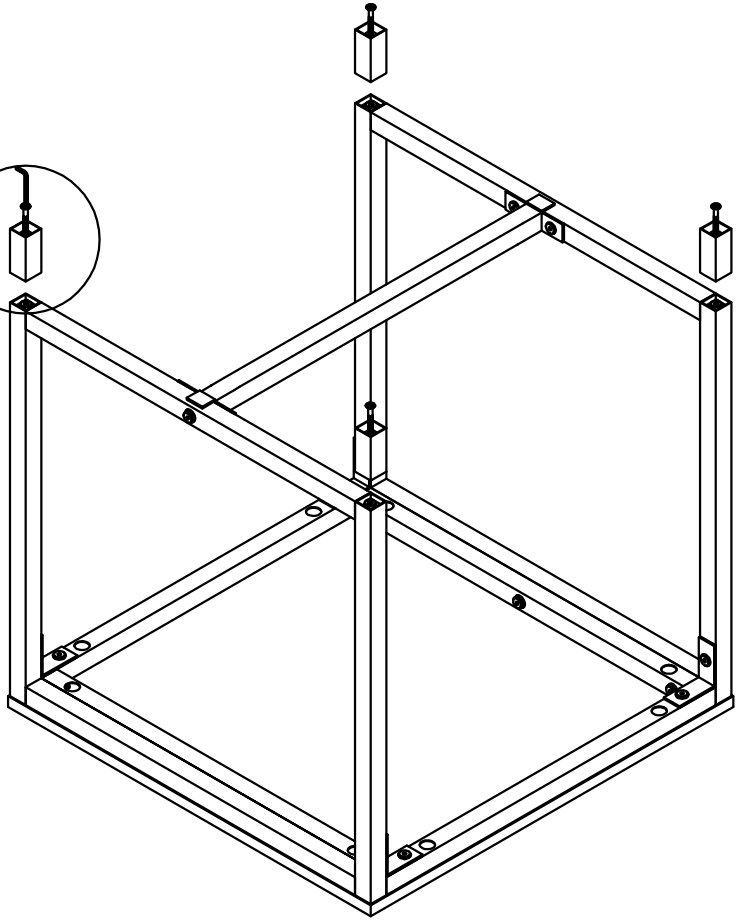
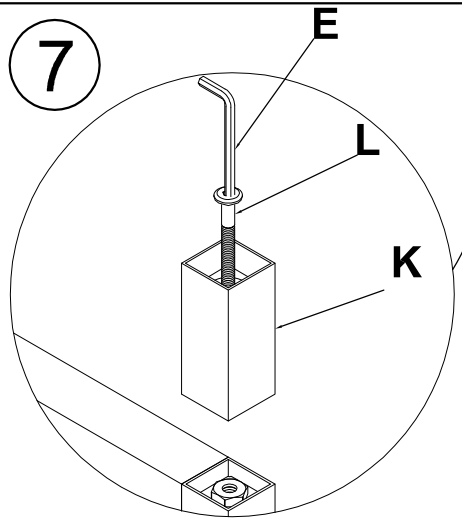
6



M M14

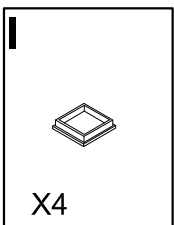
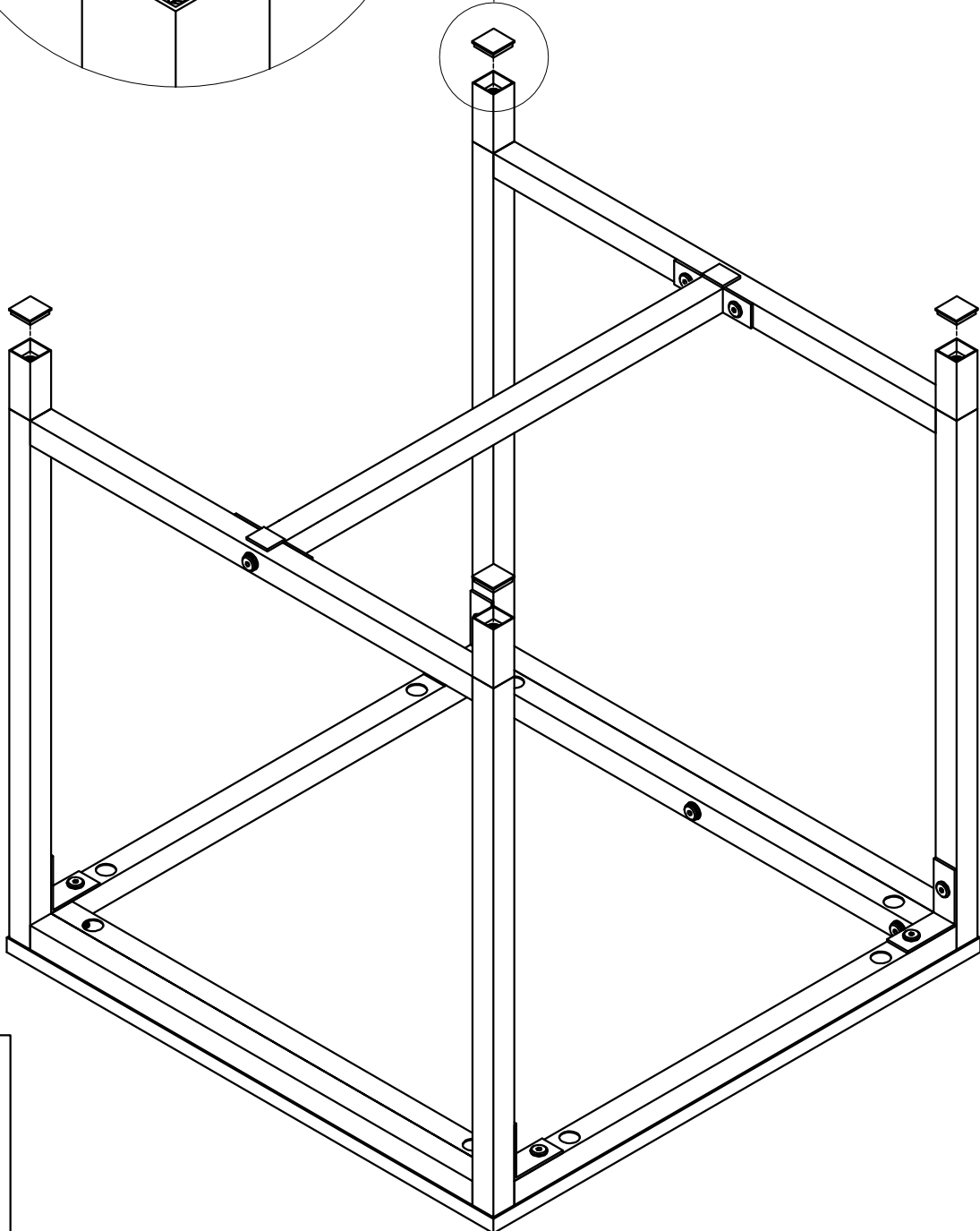
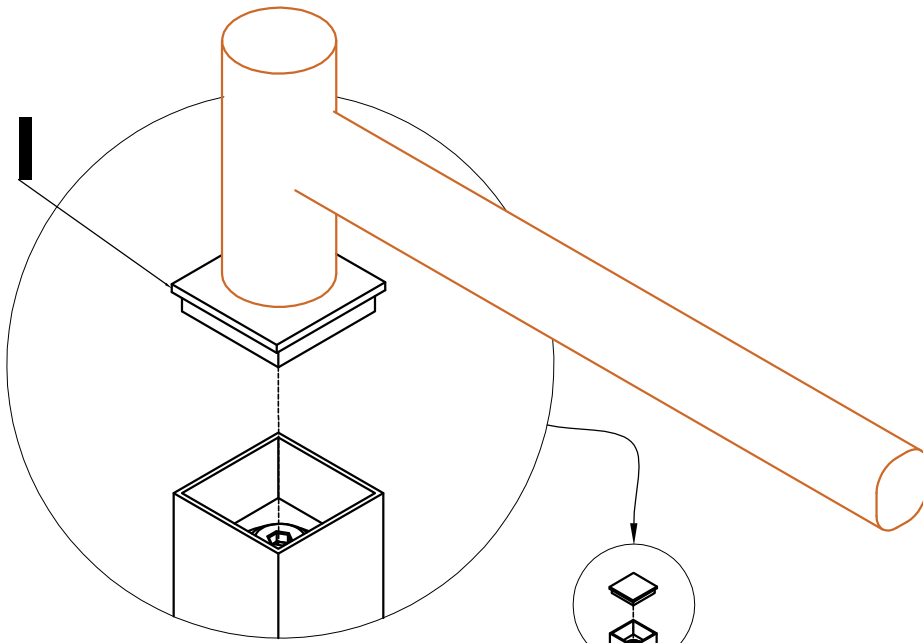
X1

7



<p>K</p> <p>X4</p>	<p>L Ø8*70mm</p> <p>X4</p>	<p>E M4</p> <p>X1</p>
---------------------------	-----------------------------------	------------------------------

8



V2 - 002211