
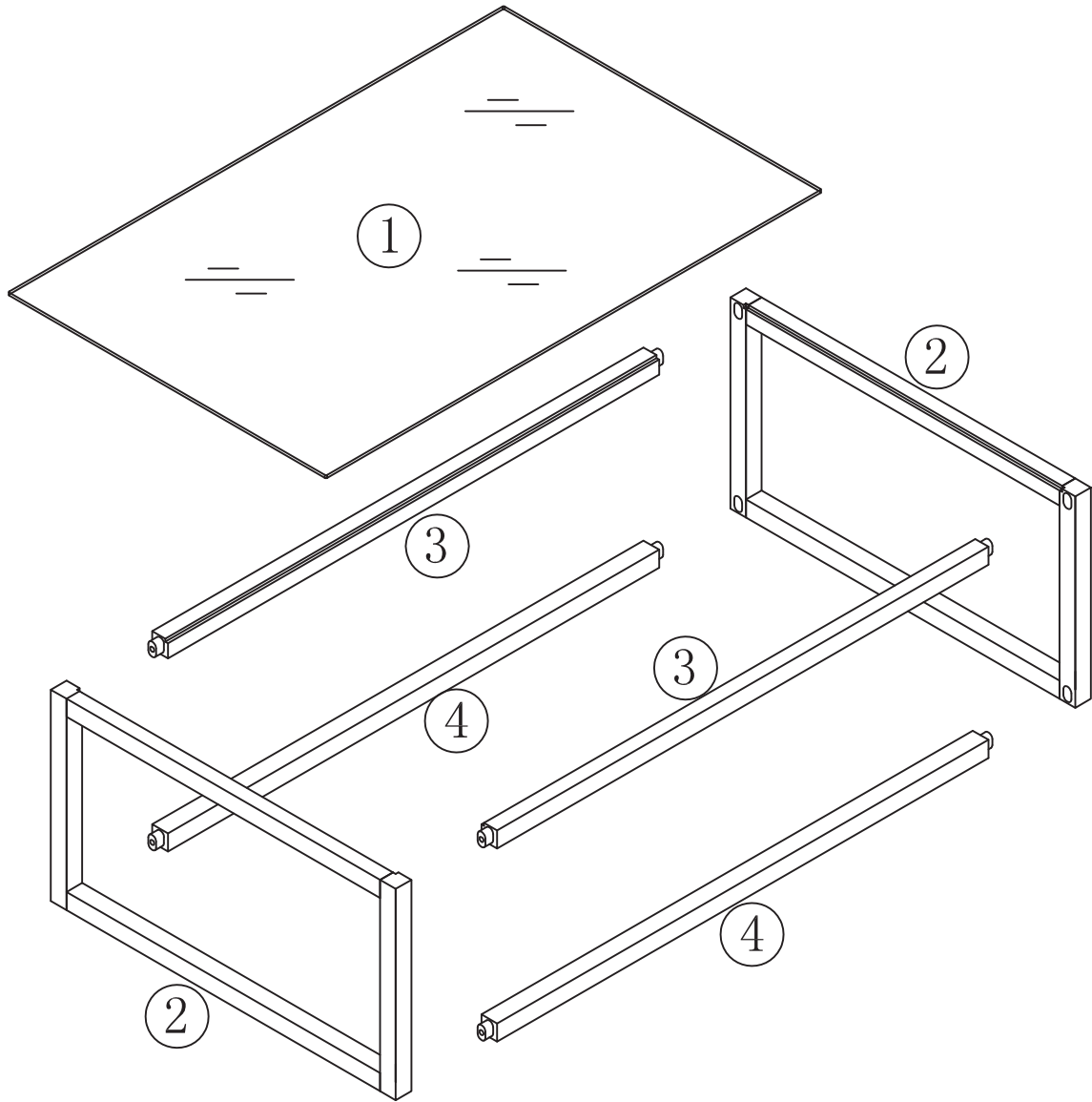

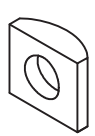


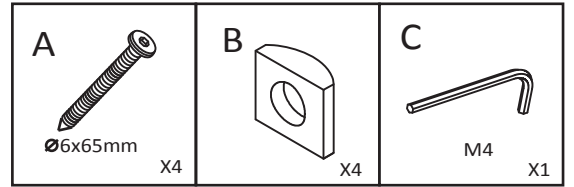
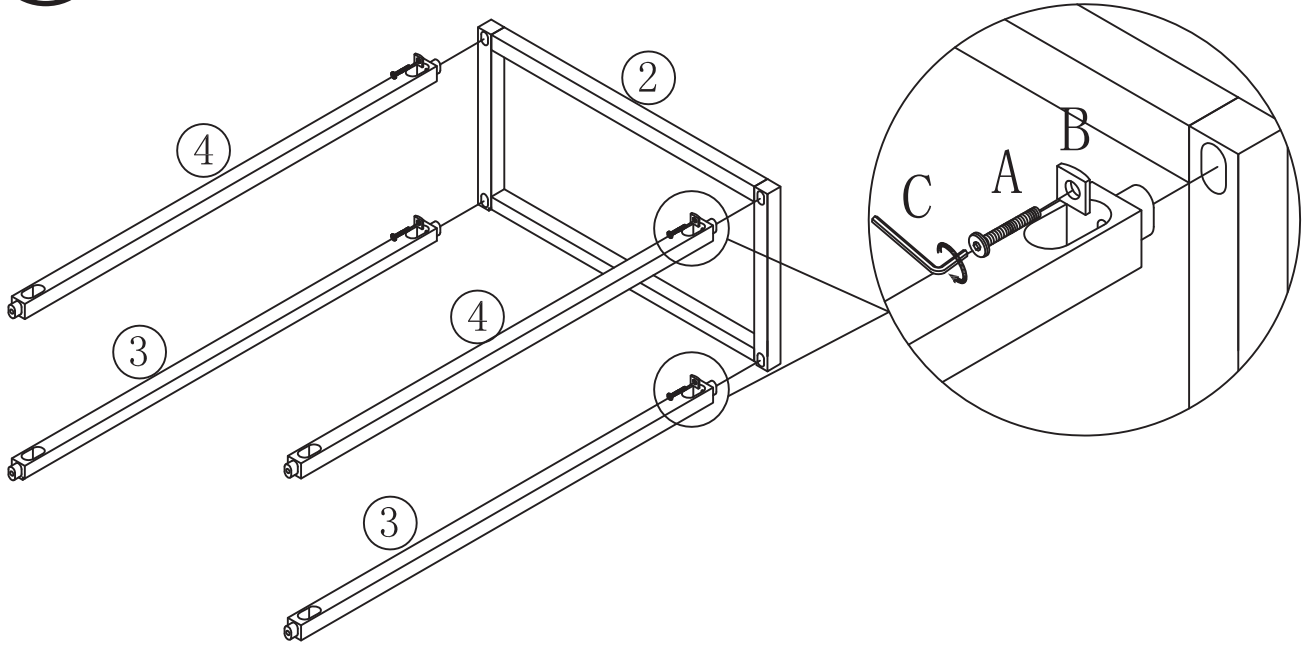
 20 MIN	
---	---

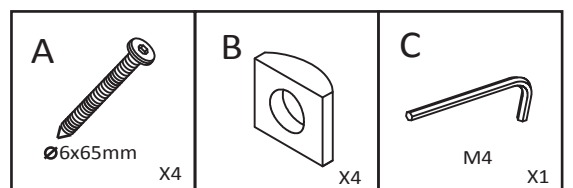
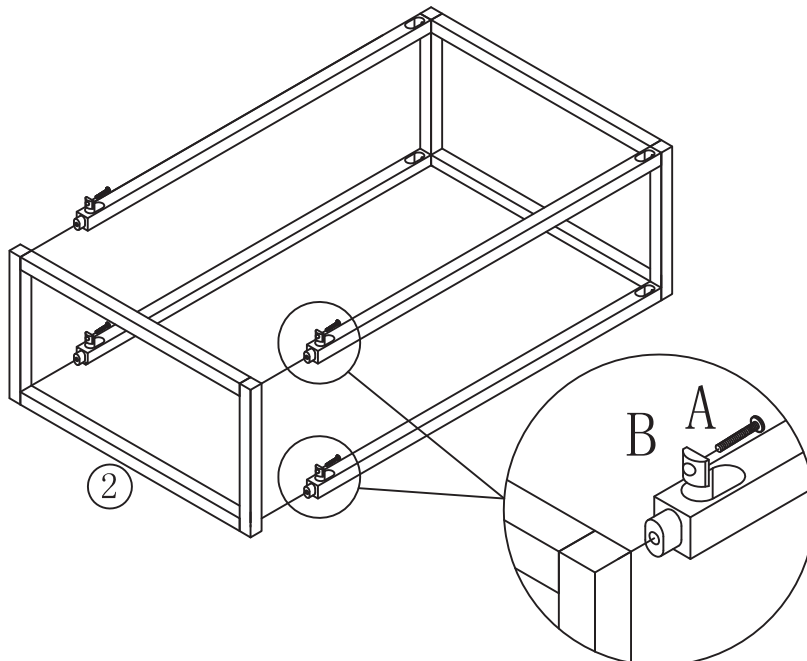


<p>A</p>  <p>Ø6x65mm X8</p>	<p>B</p>  <p>X8</p>	<p>C</p>  <p>M4 X1</p>	<p>D</p>  <p>X4</p>
---	---	--	---

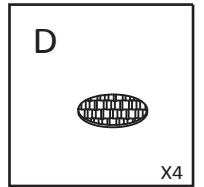
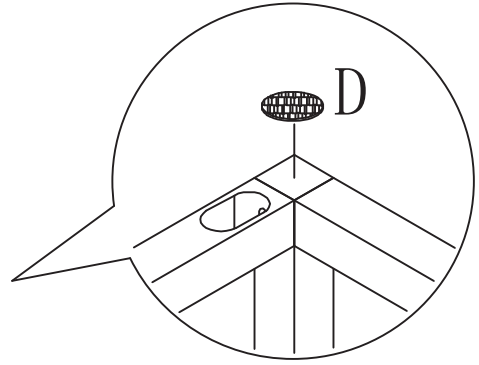
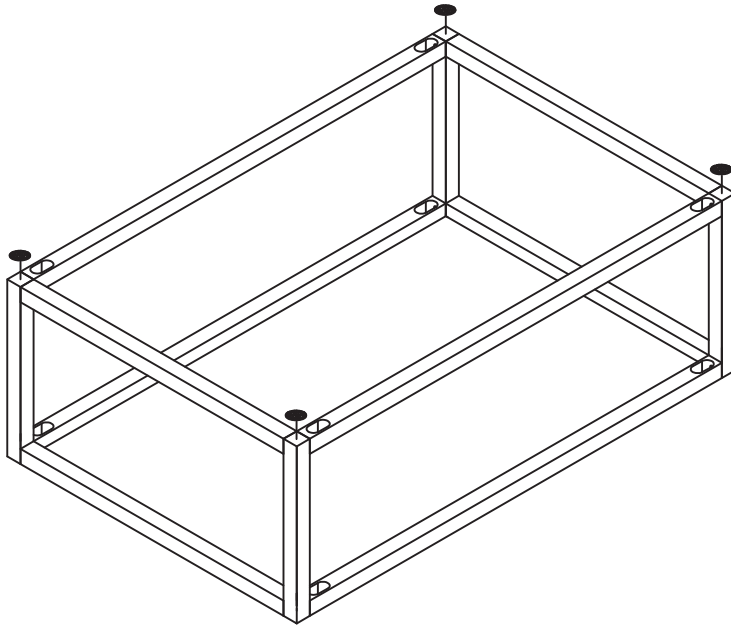
1



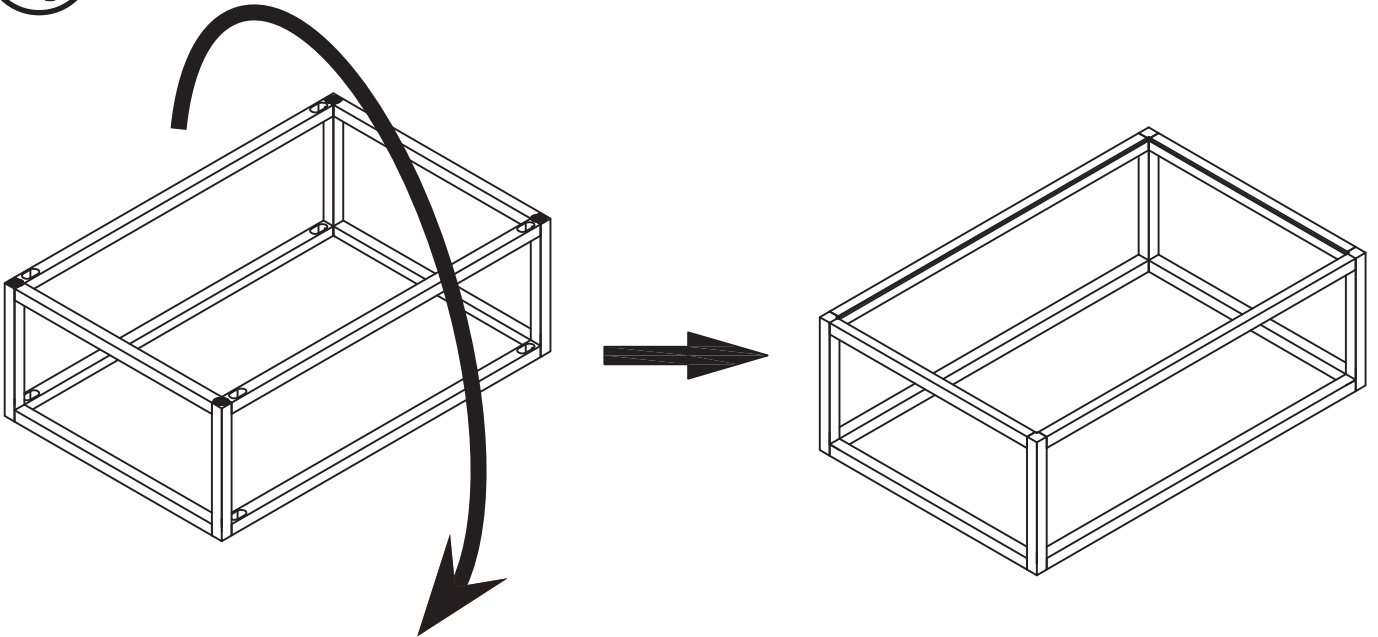
2



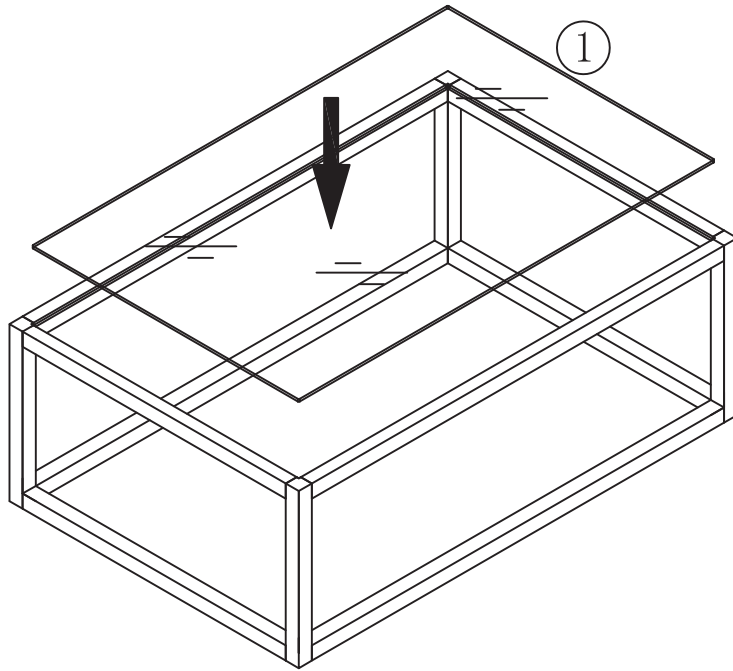
3



4



5



6

