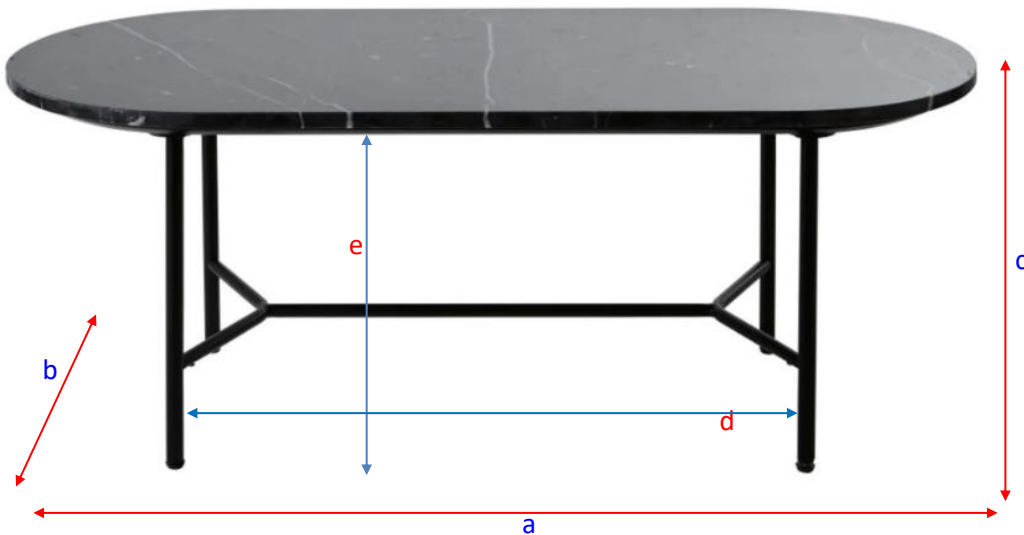
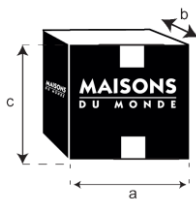


SLOANE

198734



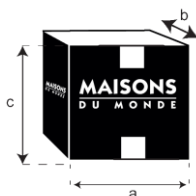
a = 98 cm
b = 48 cm
c = 42 cm
d = 55 cm
e = 38,5 cm



X 1

a = 111 cm
b = 12 cm
c = 60 cm

= 29 Kg



X 1

a = 64 cm
b = 40 cm
c = 10 cm

= 3 Kg