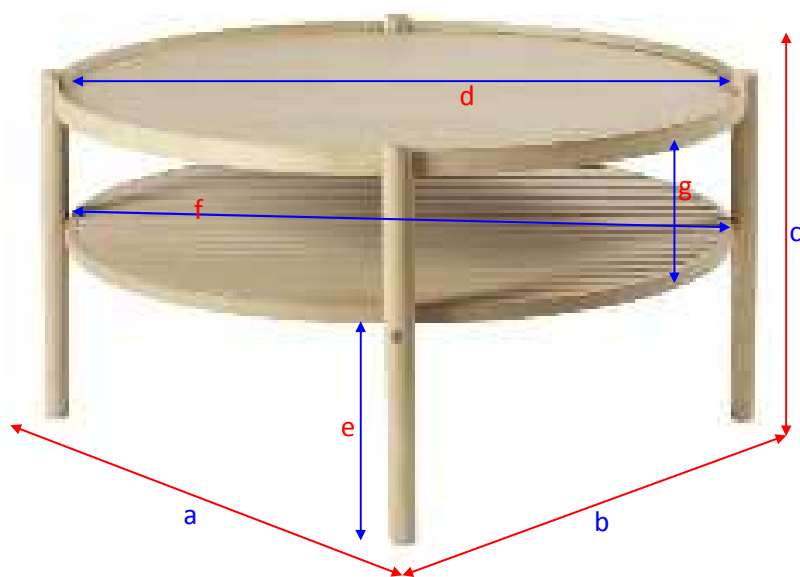


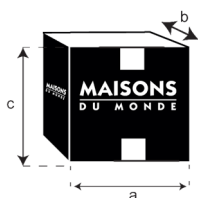
OKINAWA

187524



a = 80 cm
b = 80 cm
c = 42 cm

d = 79 cm
e = 23,5 cm
f = 76 cm
g = 14 cm



X 1

a = 87 cm
b = 88 cm
c = 13 cm

= 15 Kg