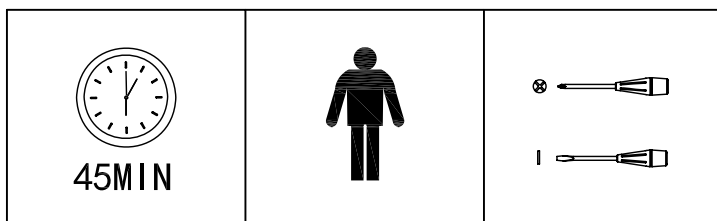
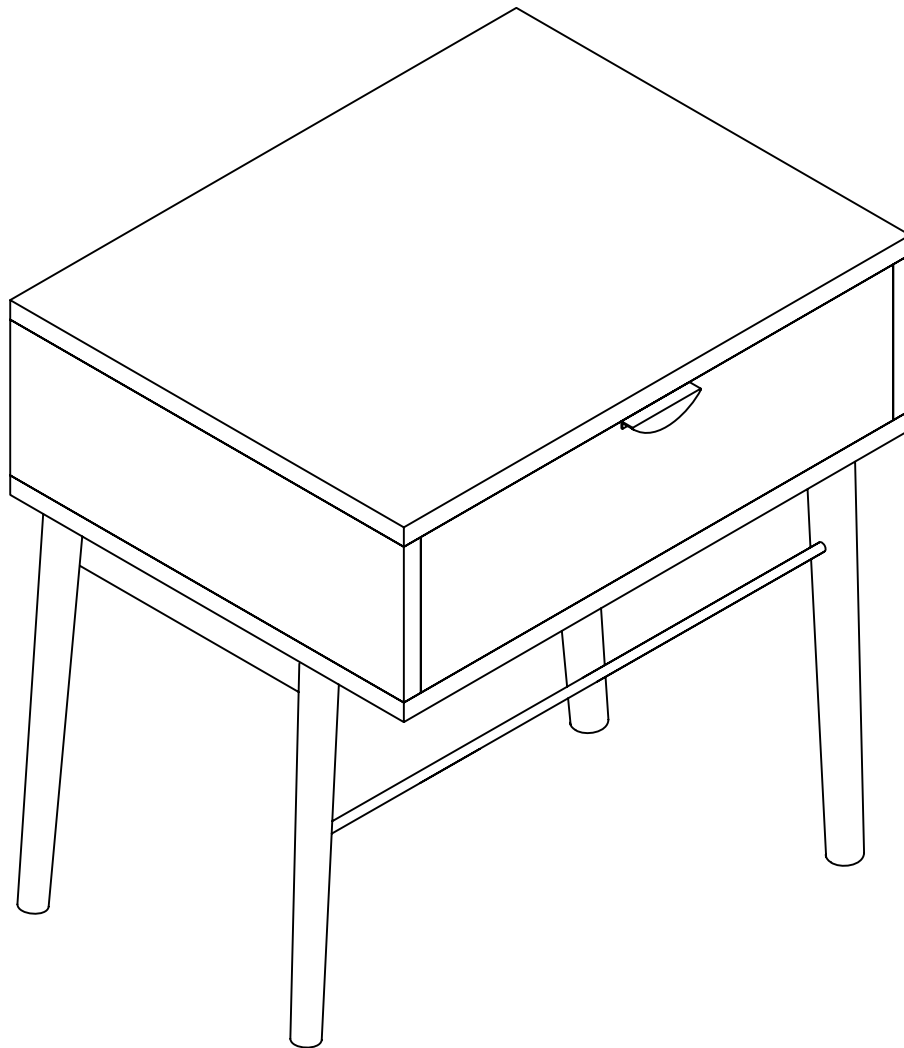
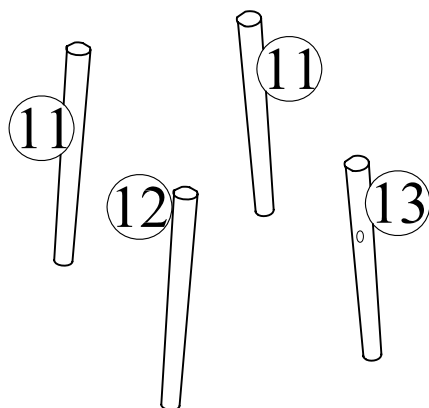
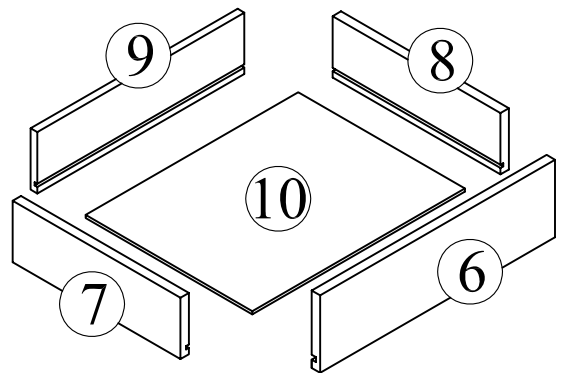
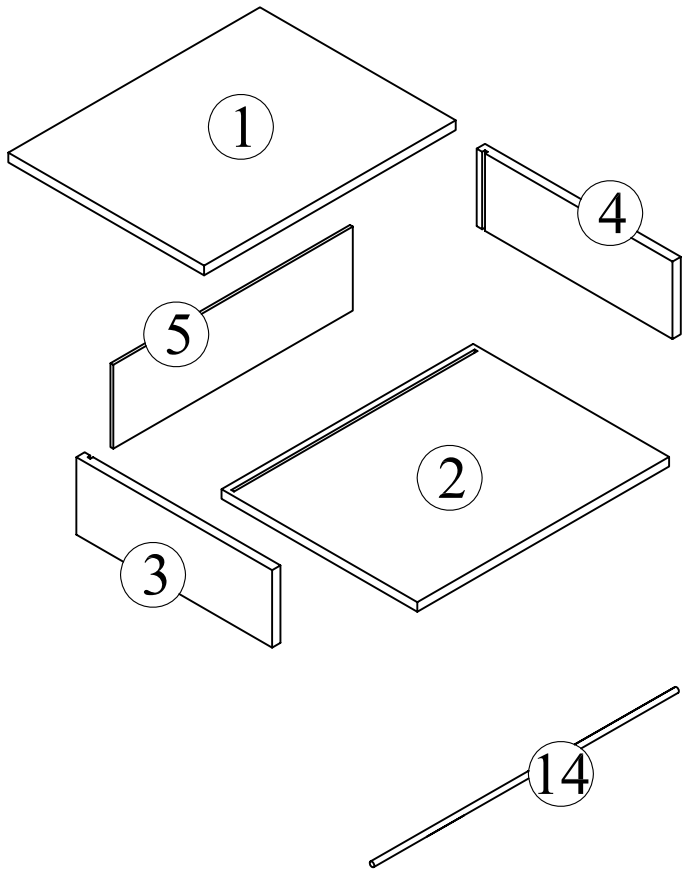
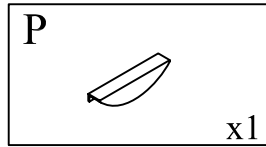
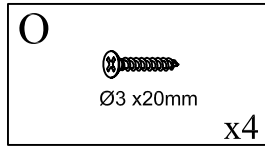
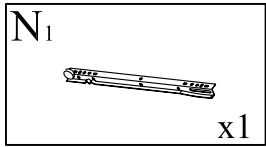
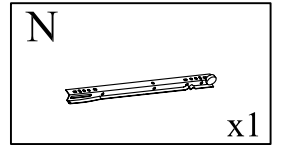
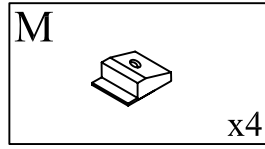
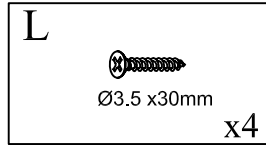
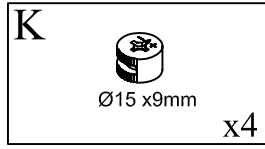
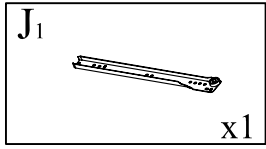
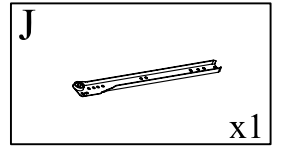
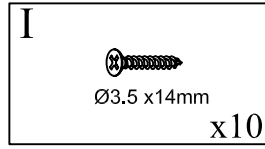
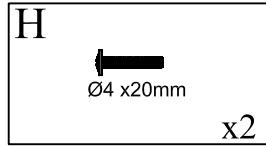
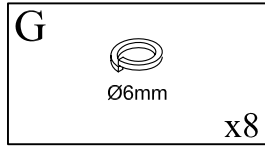
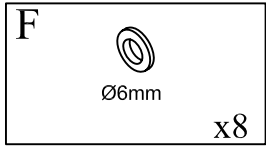
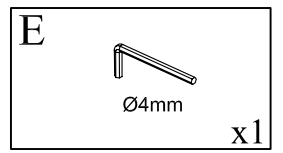
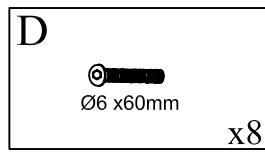
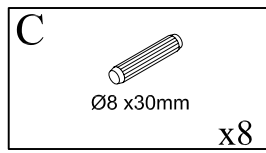
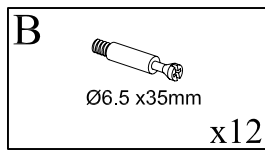
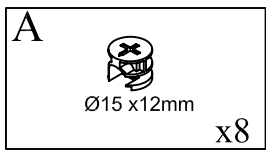
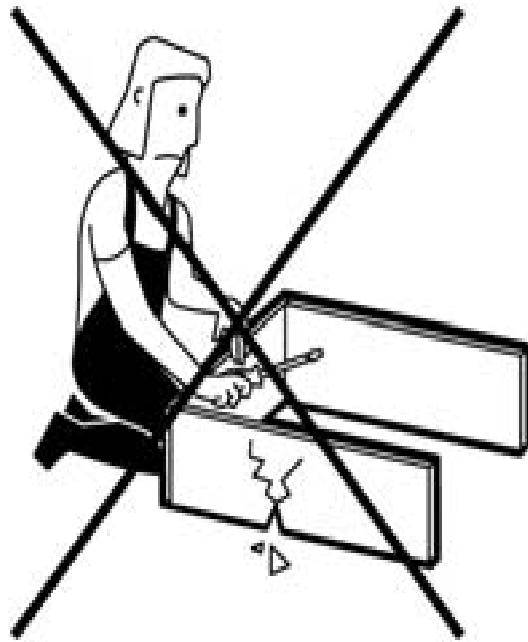


# PENELOPE

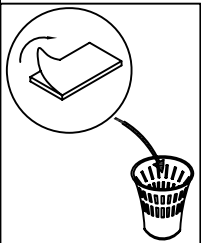
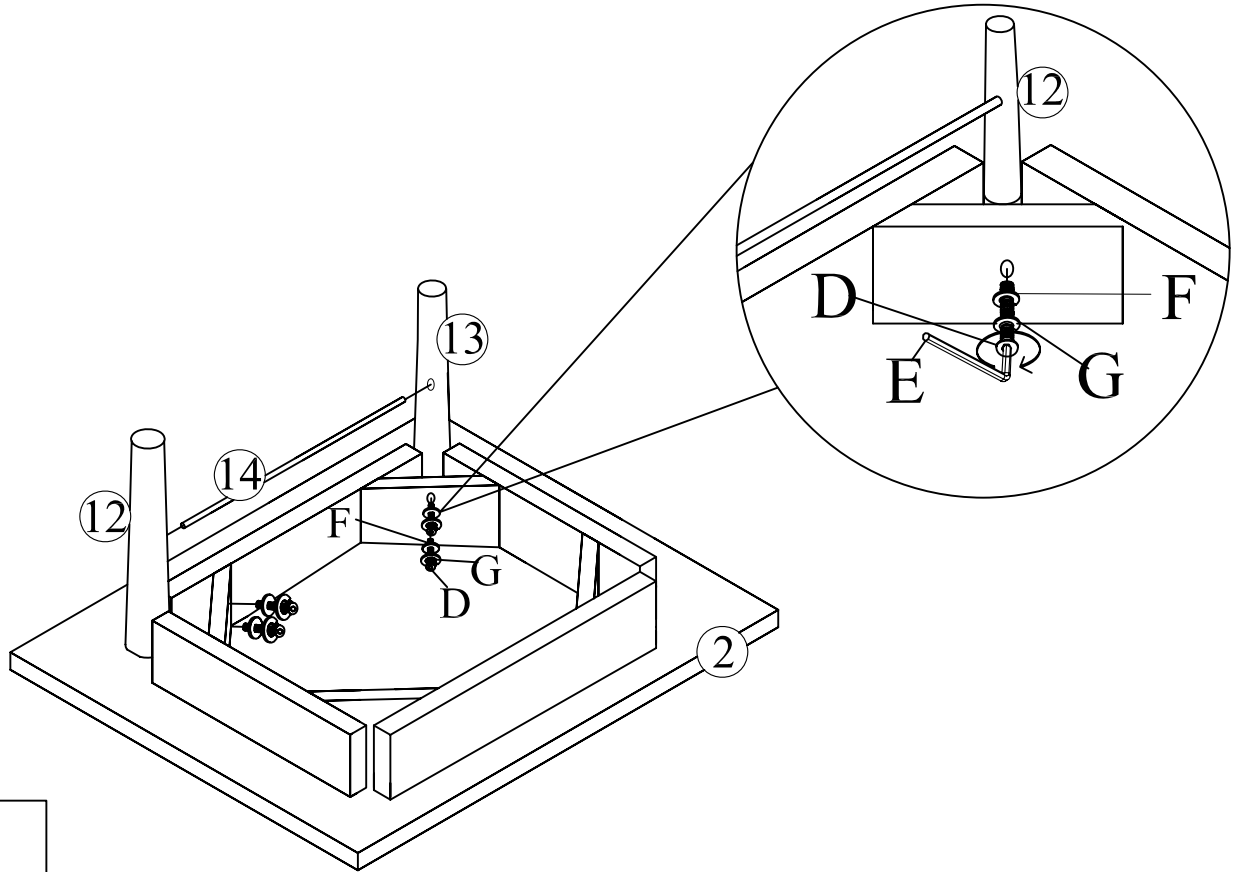
187 521









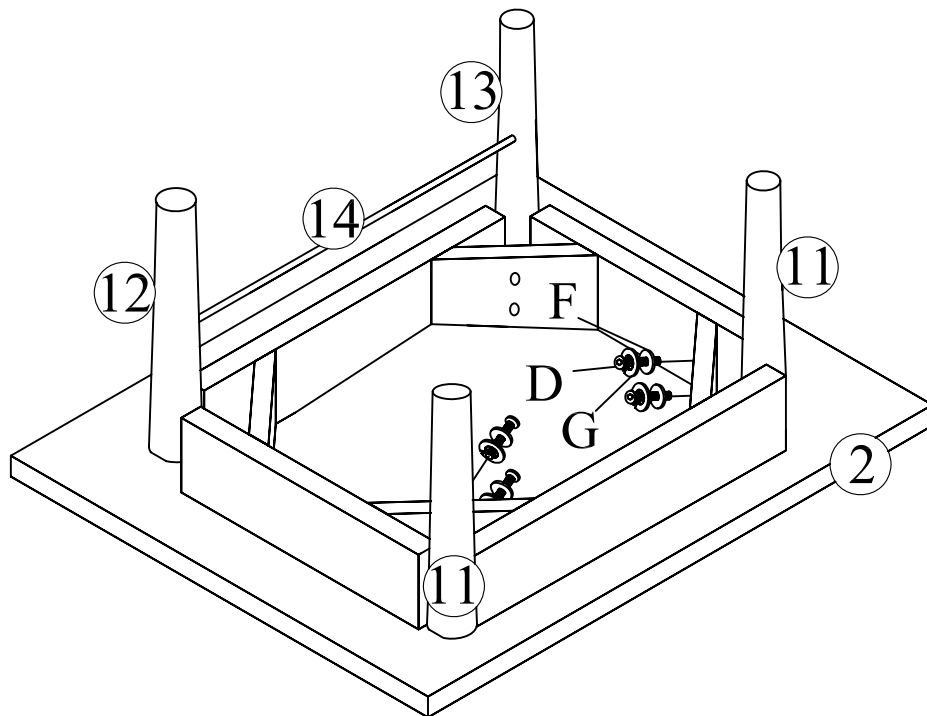


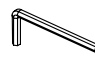


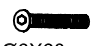
1



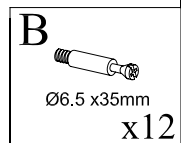
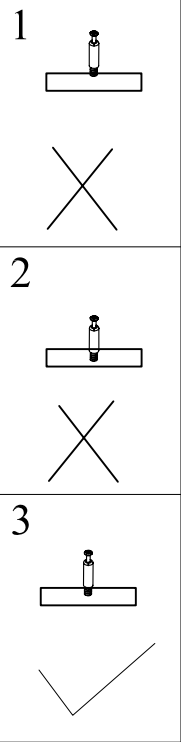
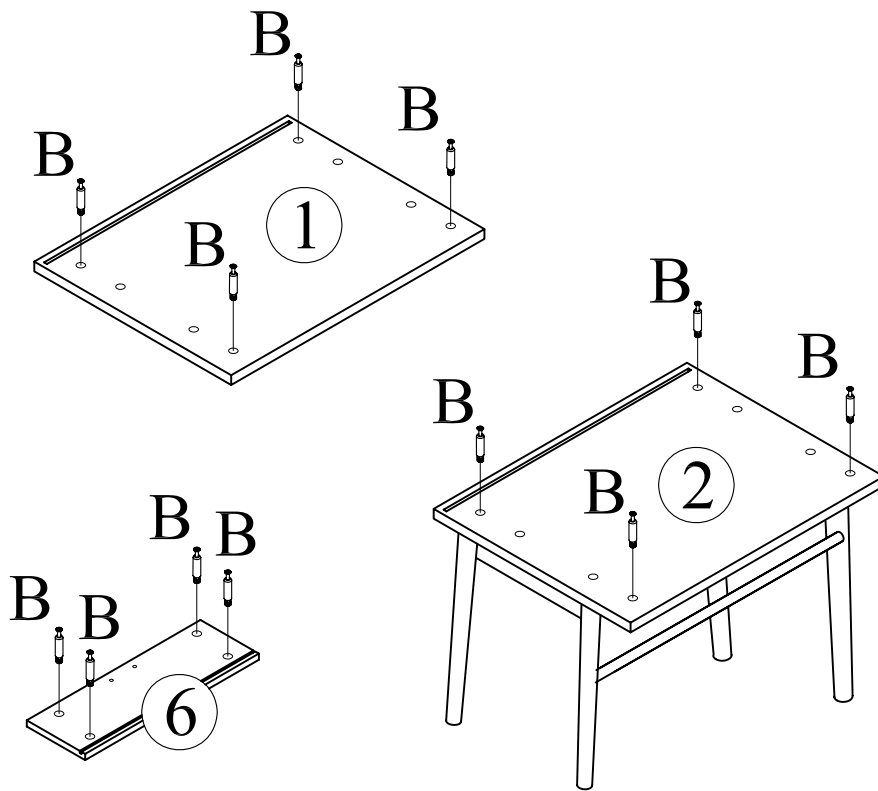
F	G	D	E
			
Ø6mm	Ø6mm	Ø6X60mm	
x4	x4	x4	x1

2

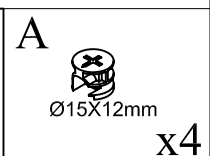
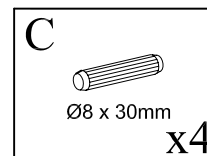
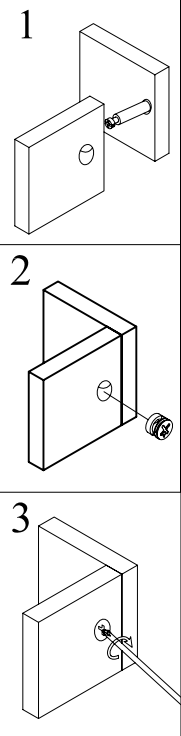
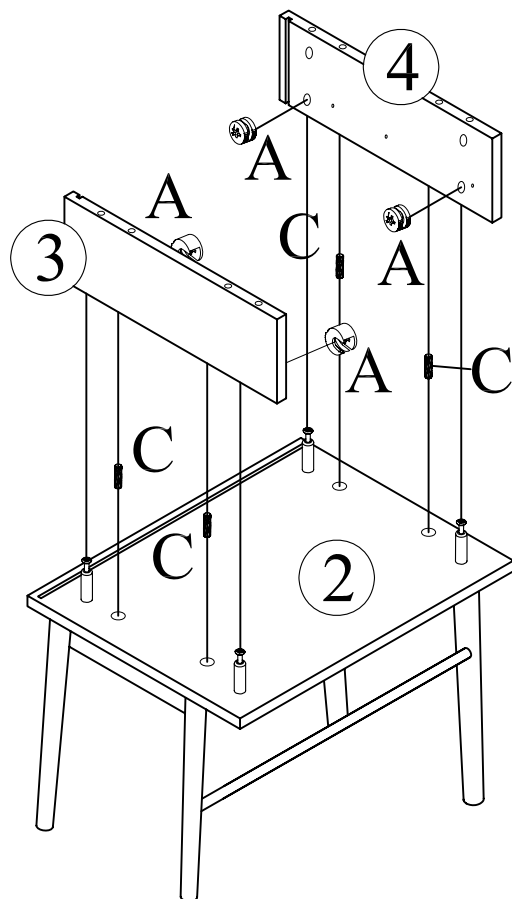


E	F	G	D
			
	Ø6mm	Ø6mm	Ø6X60mm
x1	x4	x4	x4

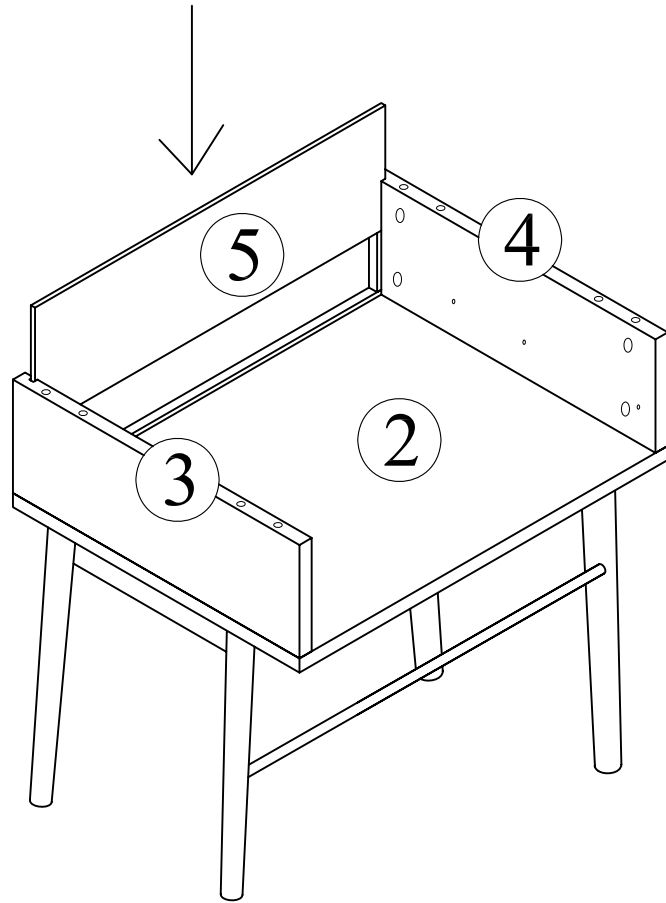
3



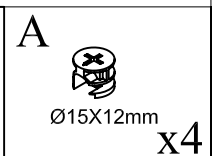
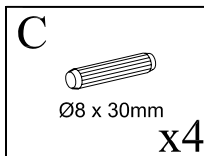
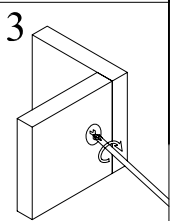
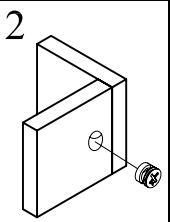
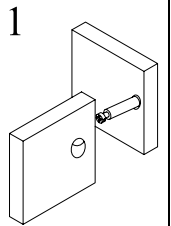
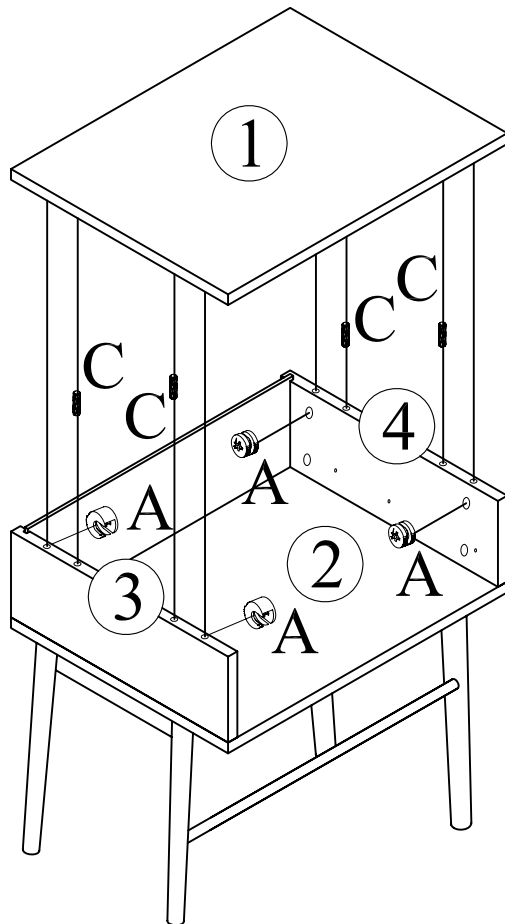
4



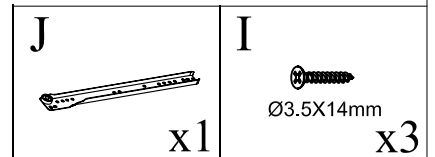
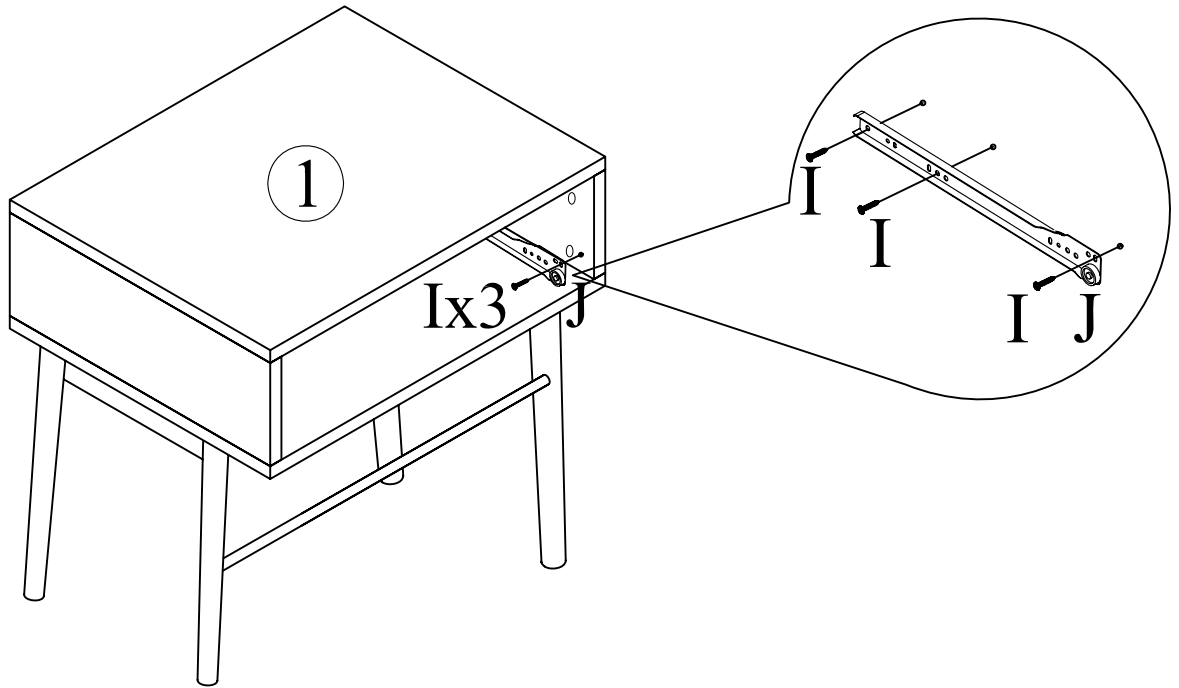
5



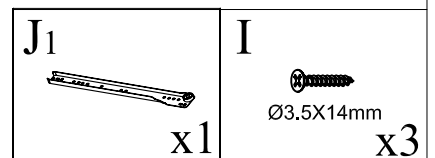
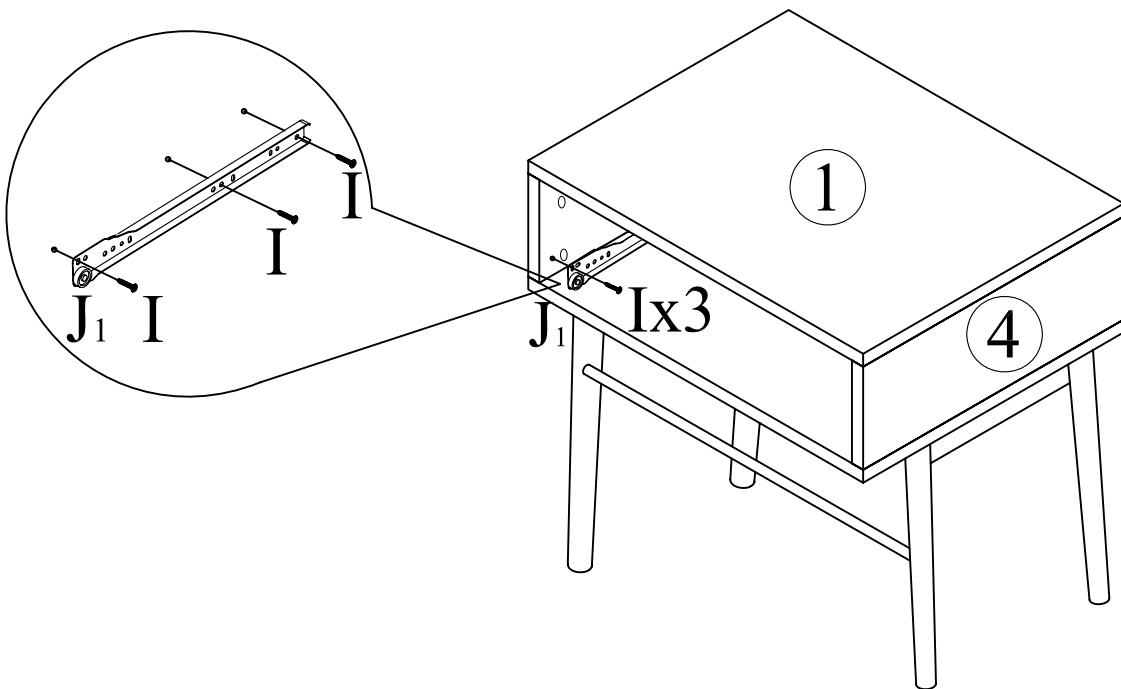
6



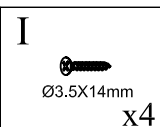
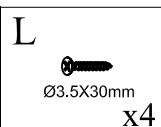
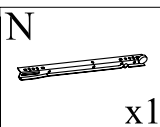
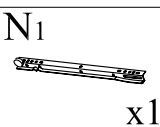
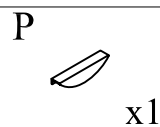
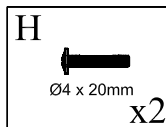
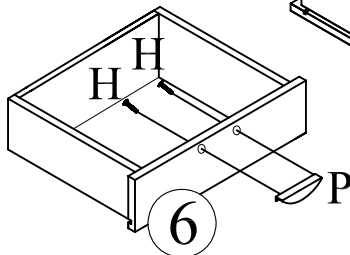
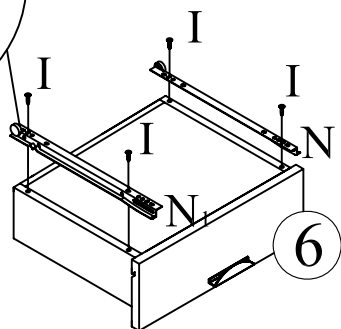
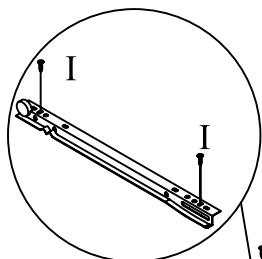
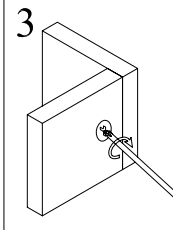
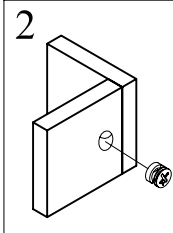
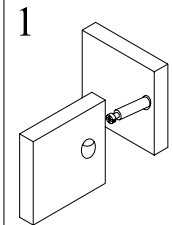
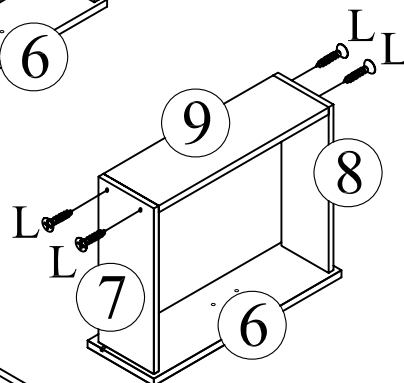
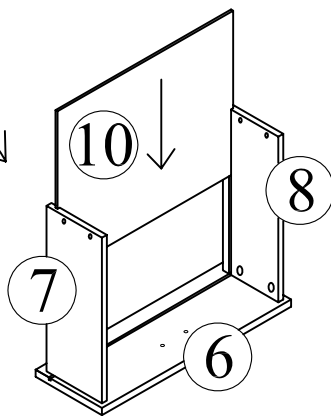
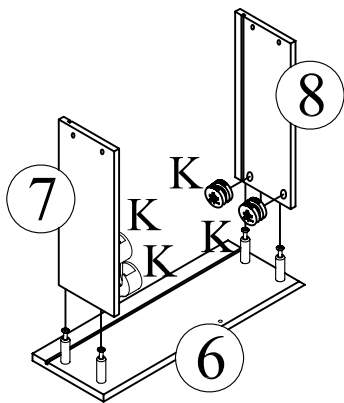
7



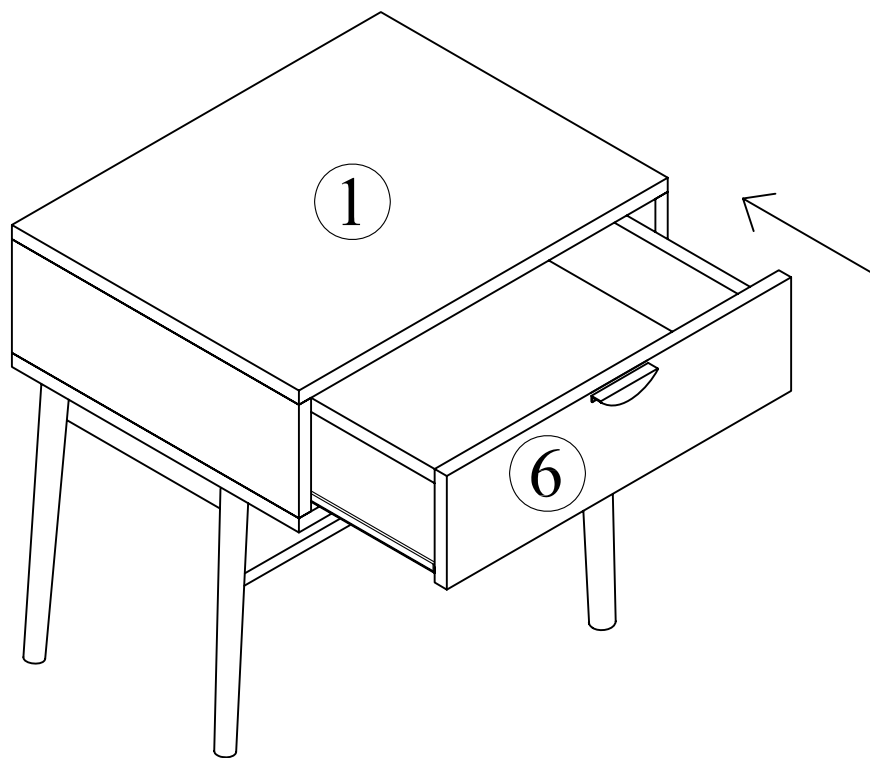
8



9

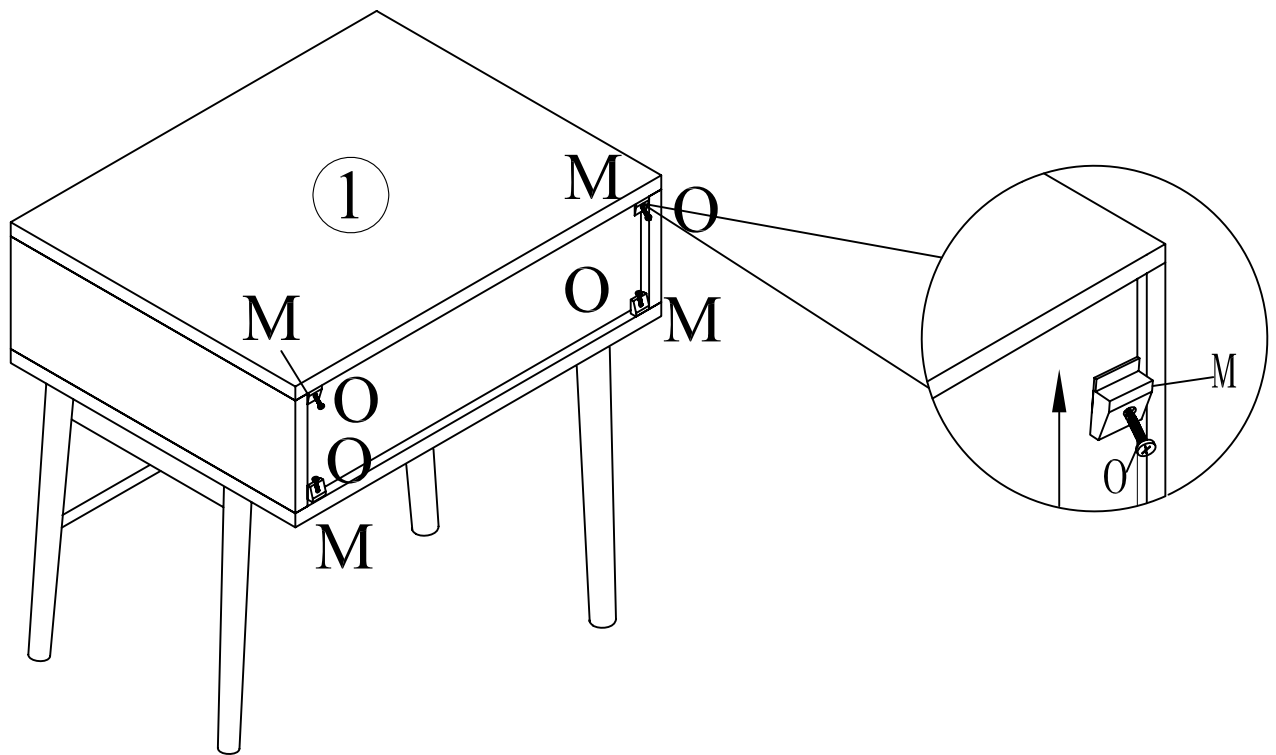


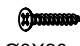

10





11



<p>O</p>  <p>Ø3X20mm</p> <p>x4</p>	<p>M</p>  <p>x4</p>
--	---

