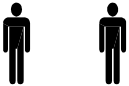
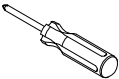
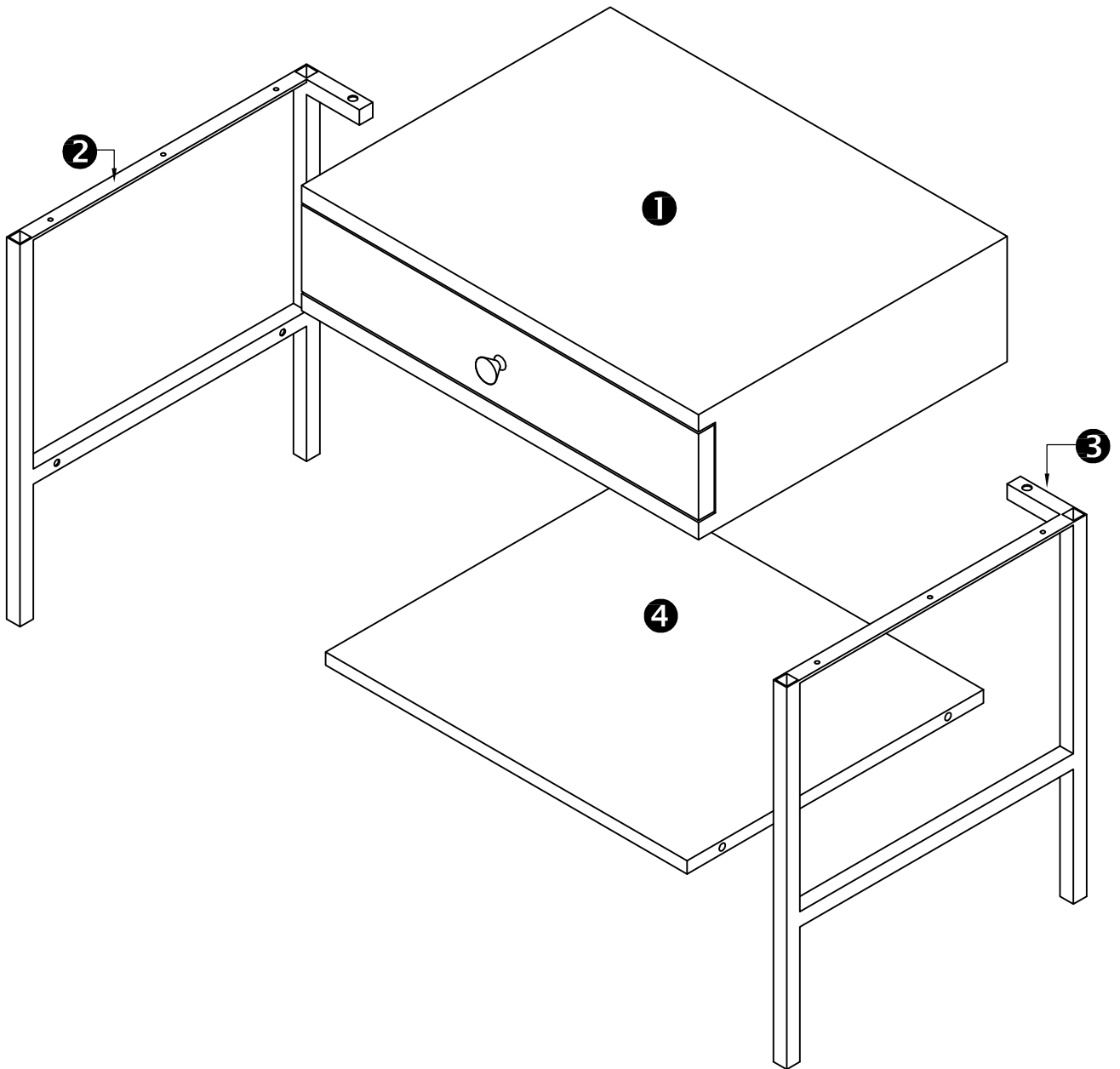
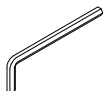




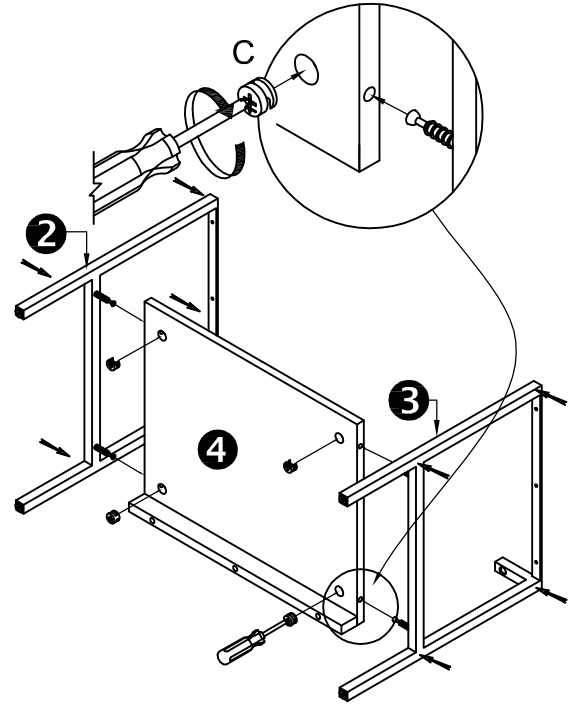
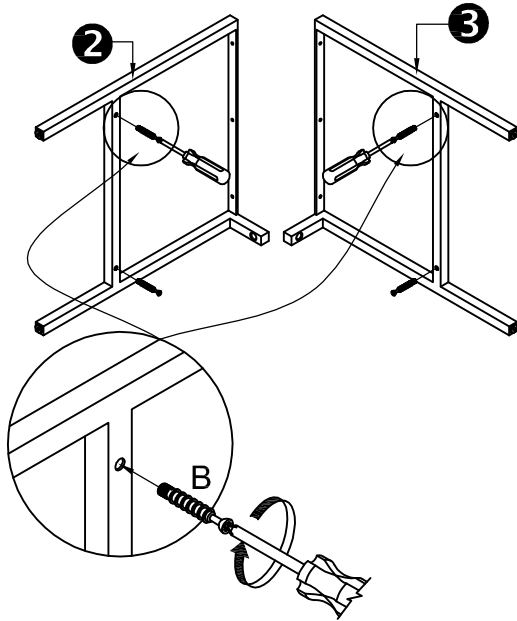


 30 MIN		
--	---	---



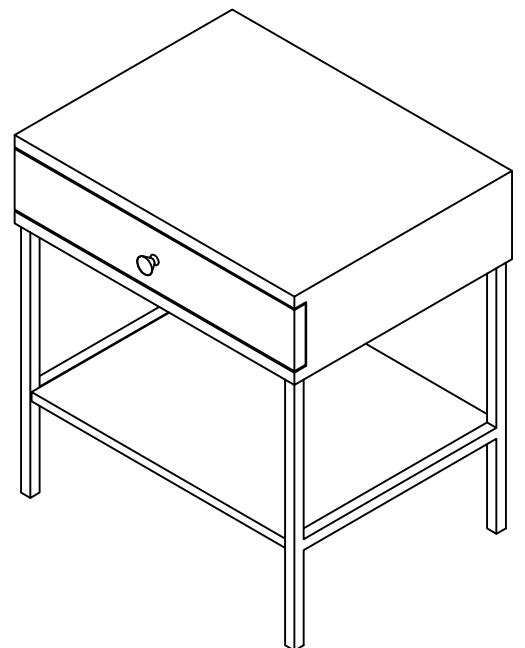
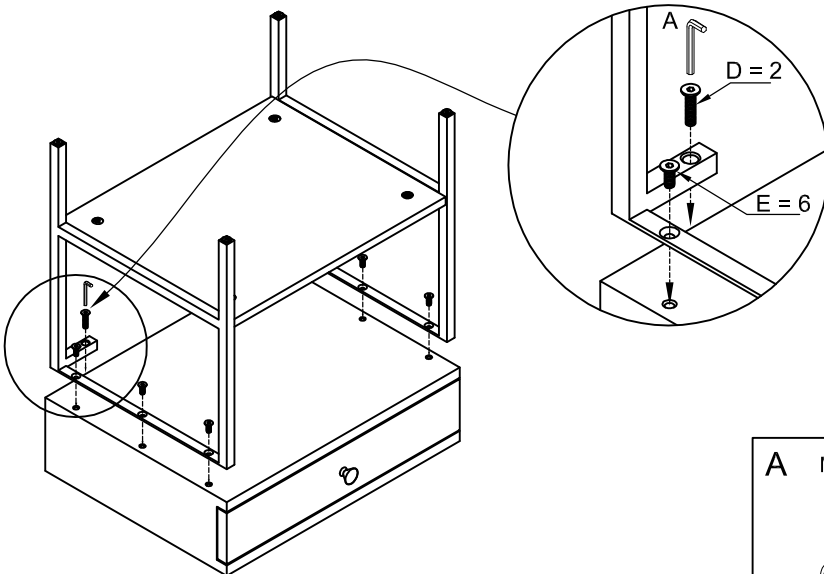
<b>A</b> M4 *100mm  x 1	<b>B</b> M6 *42 mm  x 4	<b>C</b> Ø15*10mm  x 4	<b>D</b> M6*30 mm  x 2	<b>E</b> M6*15mm  x 6
--	--	---	---	--

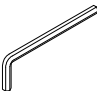


1



<b>B</b> M6 *42 mm	<b>C</b> Ø15*10mm
	
x 4	x 4

2



<b>A</b> M4 *100mm	<b>D</b> M6*30 mm	<b>E</b> M6*15mm
		
x 1	x 2	x 6